



EB-Certalume for TL-D lamps

EB-C 236 TL-D 220-240V 50/60Hz

Affordable, reliable, high frequency electronic ballast for TL-D fluorescent lamps, ideal alternative for electromagnetic (EM) ballasts

Product data

• General Characteristics

Rated Number of Lamps	2 piece
Rated Ballast-Lamp Power	36
Rated Lamptype	TL-D
Line Voltage	220-240 V
Line Frequency	50/60 Hz
Housing	L 210x40x30
Energy Efficiency Index	A3

• Operating Characteristics

Automatic restart	No
Battery voltage lamp ignition	165-253 V
Max ballast on MCB(16A type B)	28 x
Earth leakage current	0.5 mA
Mains voltage safety (AC)	-10%/+10%
Operating frequency *	42-60 kHz
PowerFactor 100% output power	0.95 -
Power losses gear	8.0 W
Overvoltage protection	48 hr 276Vac

• Wiring Characteristics

Color input terminals	Orange
Color output terminals	Grey

Conn.type input terminals	250 manual connector [Suitable for manual wiring and easy release button]
Conn.type output terminals	250 manual connector [Suitable for manual wiring and easy release button]
Max. cable length	0.75 m
Hot Wires	
Striplength	9.0-10.0 mm
Dual fixture Master/Slave	Possible, lamp wires 2m max. length [Master/Slave operation possible]
Wcs Input terminals	0.50-1.50 mm ²
Wcs Output terminals	0.50-1.50 mm ²

• Temperature Characteristics

T-case life	65 C
T-case maximum	65 (max) C

• Product Dimensions

Length A1	210.0 mm
Fixing Hole Distance	200.0 mm
Length A2	
Width B1	40.0 mm
Height C1	30.0 mm
Fixing Hole Diameter D1	4.2 mm

• Approval & Application Chars

EMI 9kHz .. 30 MHz	EN 55015
Vibrations	IEC 68-2-6 Fc
Bumps	IEC 68-2-29 Eb
Humidity	IEC 61347-2-3
CE marking	No

EB-Certalume for TL-D lamps

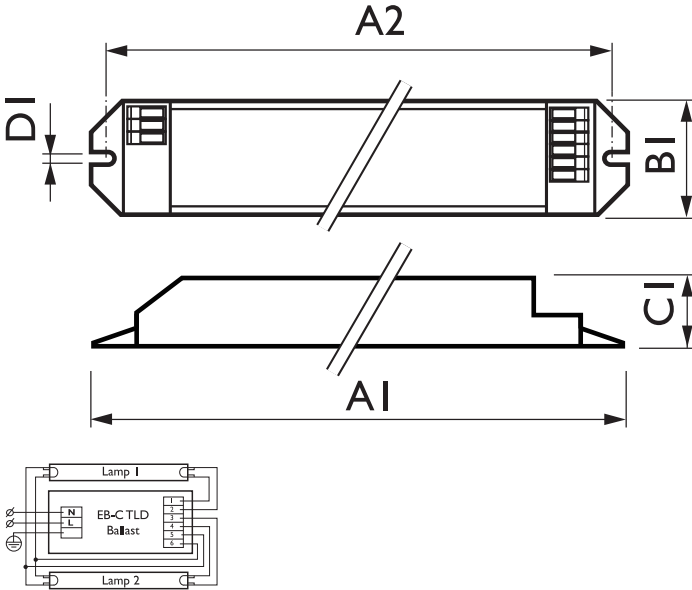
ENEC certificate	No
VDE certificate	No
VDE-EMV certificate	No
ASNZS certificate	No
CCC certificate	Yes
CB Certificate	Yes

Order product name	EB-C 236 TL-D 220-240V 50/60Hz
Pieces per pack	1
Packing configuration	20
Packs per outerbox	20
Bar code on pack - EAN1	8711500998163
Bar code on outerbox - EAN3	8727900858808
Logistic code(s) - 12NC	913713199315
Net weight per piece	0.130 kg

• Product Data

Order code	913713199315
Full product code	913713199315
Full product name	EB-C 236 TL-D 220-240V 50/60Hz

Dimensional drawing



Product	A1 (Norm)	A2 (Norm)	B1 (Norm)	C1 (Norm)	D1 (Norm)
EB-C 236 TL-D 220-240V 50/60Hz	210.0	200.0	40.0	30.0	4.2



© 2012 Koninklijke Philips Electronics N.V.
All rights reserved.

Specifications are subject to change without notice. Trademarks are the property of Koninklijke Philips Electronics N.V. or their respective owners.

www.philips.com/lighting

2012, February 2
data subject to change