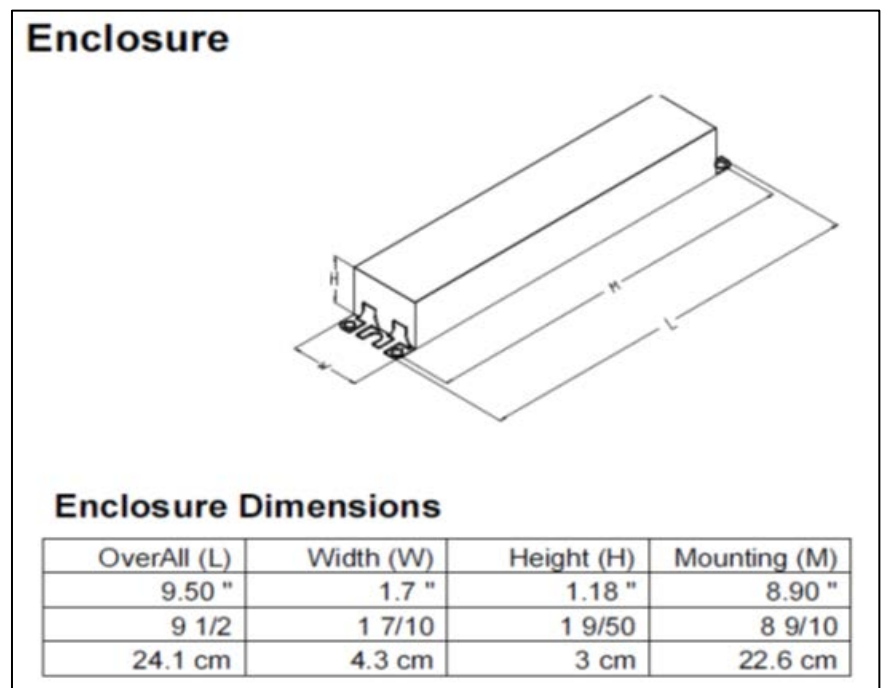
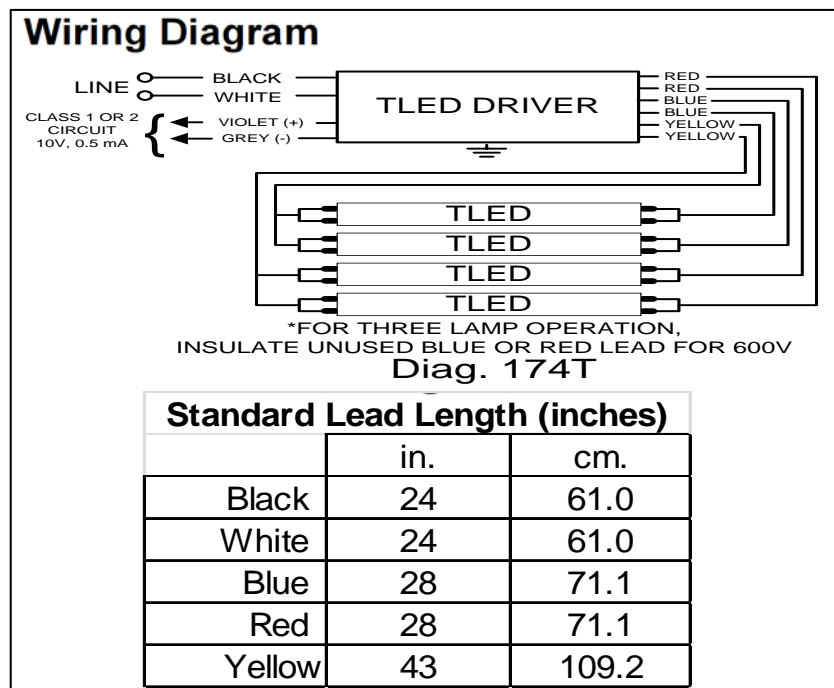




IZT-4P16-TLED-SC @ 120V	
Brand Name	Mark 7 0-10V
Driver Type	Electronic Dimming
Lamp Connection	Parallel
Input Voltage	120V
Input Frequency	50/60 Hz
Status	Active

Electrical Specifications

Compatible Lamp Information							Driver Specifications @120V					
T8 LED Lamp Brand	T8 LED Lamp Description	T8 LED Lamp Product No.	T8 LED Lamp Model No.	T8 LED Lamp Ordering Code	Bare Lamp Watts (W)	Nom. Initial Lumens	Min. Start Temp (°F/°C)	Num. of Lamps	Input Current (A)	Input Power (W) (Min/Max)	Max THD%	Power Factor
Philips	LED InstantFit T8 - 4' High Output	468306	9290011585C	14T8/48-3000 IF 10/1 HO	14	2000	-13/-25	4	0.59	5 / 71	10	0.99
		468314	9290011586C	14T8/48-3500 IF 10/1 HO		2000						
		468322	9290011587C	14T8/48-4000 IF 10/1 HO		2100						
		468330	9290011588C	14T8/48-5000 IF 10/1 HO		2100						
Philips	LED InstantFit T8 - 4' High Output	468892	9290013044	16.5T8 LED/48-3000 IF 10/1 HO	16.5	2300	-13/-25	4	0.71	6 / 84	10	0.99
		463133	9290012267	16.5T8 LED/48-3500 IF 10/1 HO		2400						
		463141	9290012268	16.5T8 LED/48-4000 IF 10/1 HO		2500						
		463158	9290012269	16.5T8 LED/48-5000 IF 10/1 HO		2500						



Revised: 01/11/17

Data is based on tests performed by Philips Lighting NA in a controlled environment and is representative of relative performance. Actual performance can vary depending on operating conditions. Specifications are subject to change without notice. All specifications are nominal unless otherwise noted.

Philips Lighting N.A.

10275 West Higgins Road • Rosemont, IL 60018 • www.philips.com/advance
 Tel: 800-322-2086 • Fax: 800-423-1882 • Customer Support: 800-372-3331 • OEM Support: 866-915-5886



Electrical Specifications

IZT-4P16-TLED-SC @ 120V	
Brand Name	Mark 7 0-10V
Driver Type	Electronic Dimming
Lamp Connection	Parallel
Input Voltage	120V
Input Frequency	50/60 Hz
Status	Active

Notes:

Section I - Physical Characteristics

- 1.1 Driver shall be physically interchangeable with standard electromagnetic or standard electronic ballasts, where applicable.
- 1.2 Driver shall be provided with integral leads color coded per ANSI C82.11.

Section II - Performance Requirements

- 2.1 Driver shall energize compatible LED lamps within 1 second after mains power is applied.
- 2.2 Driver shall provide Independent Lamp Operation (ILO) allowing remaining lamp(s) to maintain full light output when one or more lamps fail.
- 2.3 Driver shall contain auto restart circuitry in order to restart lamps without resetting power.
- 2.4 Driver shall operate from a 50Hz or 60 Hz AC input source of 120V through 277V with sustained variations of +/- 10% (voltage and frequency).
- 2.5 Driver shall be high frequency electronic type and operate lamps at frequencies above 42 kHz to avoid interference with infrared devices and eliminate visible flicker.
- 2.6 Driver shall have a Power Factor of 0.94 or above when operating the maximum rated number of compatible lamps, and 0.88 or above when operating the minimum rated number of compatible lamps.
- 2.7 Driver input current shall Total Harmonic Distortion (THD) of 10% or less when operating the maximum rated number of compatible lamps and 15% or less when operating the minimum rated number of compatible lamps.
- 2.8 Driver shall have a Class A sound rating.
- 2.9 Driver shall have a minimum starting temperature of -13°F / -25°C.
- 2.10 Driver shall tolerate sustained open circuit and short circuit output conditions.
- 2.11 Driver shall control lamp light output from 100% - 5% relative light output for T8 TLED.
- 2.12 Driver shall be suitable of operation in up to a 45°C ambient temperature.

Section III - Regulatory Requirements

- 3.1 Driver shall not contain any Polychlorinated Biphenyl (PCB).
- 3.2 Driver shall be Underwriters Laboratories (UL) Recognized, Class P, and suitable for Damp and Dry conditions; and CSA Certified where applicable.
- 3.3 Driver shall comply with ANSI C62.41 Category A Transient protection.
- 3.4 Driver shall comply with the requirements of the Federal Communication Commission (FCC) rules and regulations, Title 47, CFR part 15, Non-Consumer (Class A) for EMI/RFI (conducted and radiated).
- 3.5 Driver shall comply with NEMA 410 for in-rush current limits.

Section IV - Other

- 4.1 Driver shall be manufactured in a factory certified to ISO 9001 Quality System Standards.
- 4.2 Driver shall carry a five year warranty from date of manufacture against defects in material and workmanship when operating in a 45°C ambient envi

Philips Lighting N.A.

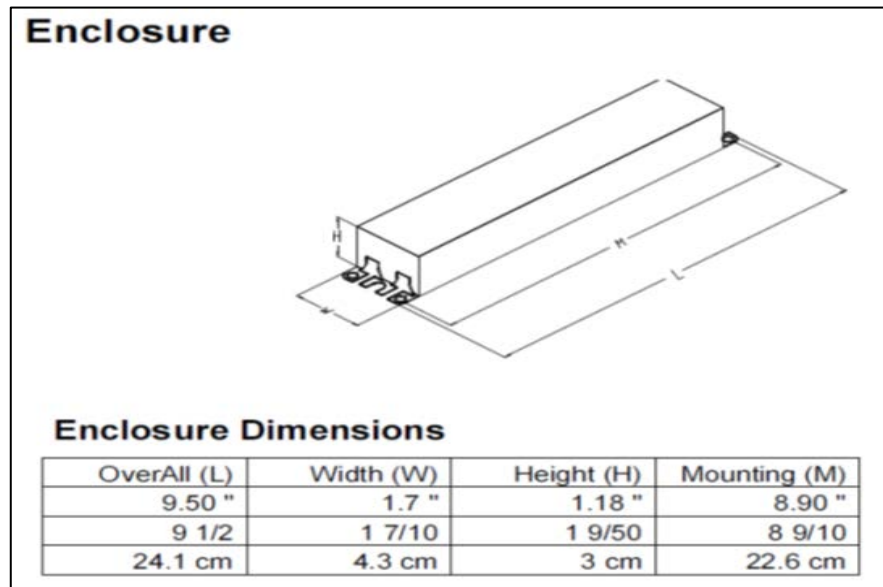
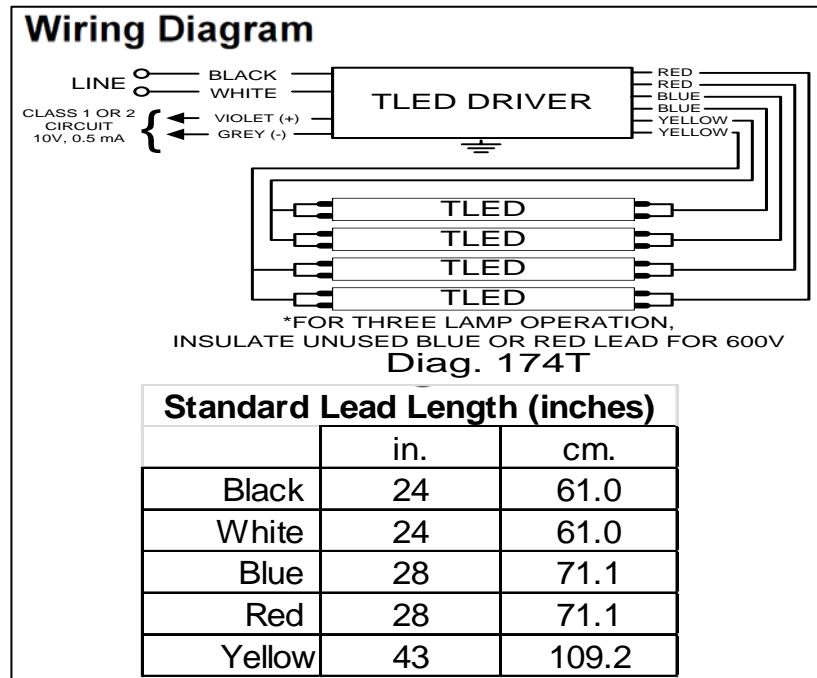
10275 West Higgins Road • Rosemont, IL 60018 • www.philips.com/advance
Tel: 800-322-2086 • Fax: 800-423-1882 • Customer Support: 800-372-3331 • OEM Support: 866-915-5886



IZT-4P16-TLED-SC @ 277V	
Brand Name	Mark 7 0-10V
Driver Type	Electronic Dimming
Lamp Connection	Parallel
Input Voltage	277V
Input Frequency	50/60 Hz
Status	Active

Electrical Specifications

Compatible Lamp Information							Driver Specifications @277V					
T8 LED Lamp Brand	T8 LED Lamp Description	T8 LED Lamp Product No.	T8 LED Lamp Model No.	T8 LED Lamp Ordering Code	Bare Lamp Watts (W)	Nom. Initial Lumens	Min. Start Temp (°F/°C)	Num. of Lamps	Input Current (A)	Input Power (W) (Min/Max)	Max THD%	Power Factor
Philips	LED InstantFit T8 - 4' High Output	468306	9290011585C	14T8/48-3000 IF 10/1 HO	14	2000	-13/-25	4	0.25	5 / 69	10	0.97
		468314	9290011586C	14T8/48-3500 IF 10/1 HO		2000						
		468322	9290011587C	14T8/48-4000 IF 10/1 HO		2100						
		468330	9290011588C	14T8/48-5000 IF 10/1 HO		2100						
Philips	LED InstantFit T8 - 4' High Output	468892	9290013044	16.5T8 LED/48-3000 IF 10/1 HO	16.5	2300	-13/-25	4	0.30	6 / 82	10	0.98
		463133	9290012267	16.5T8 LED/48-3500 IF 10/1 HO		2400						
		463141	9290012268	16.5T8 LED/48-4000 IF 10/1 HO		2500						
		463158	9290012269	16.5T8 LED/48-5000 IF 10/1 HO		2500						



Revised: 01/11/17

Data is based on tests performed by Philips Lighting NA in a controlled environment and is representative of relative performance. Actual performance can vary depending on operating conditions. Specifications are subject to change without notice. All specifications are nominal unless otherwise noted.



Electrical Specifications

IZT-4P16-TLED-SC @ 277V	
Brand Name	Mark 7 0-10V
Driver Type	Electronic Dimming
Lamp Connection	Parallel
Input Voltage	277V
Input Frequency	50/60 Hz
Status	Active

Notes:

Section I - Physical Characteristics

- 1.1 Driver shall be physically interchangeable with standard electromagnetic or standard electronic ballasts, where applicable.
- 1.2 Driver shall be provided with integral leads color coded per ANSI C82.11.

Section II - Performance Requirements

- 2.1 Driver shall energize compatible LED lamps within 1 second after mains power is applied.
- 2.2 Driver shall provide Independent Lamp Operation (ILO) allowing remaining lamp(s) to maintain full light output when one or more lamps fail.
- 2.3 Driver shall contain auto restart circuitry in order to restart lamps without resetting power.
- 2.4 Driver shall operate from a 50Hz or 60 Hz AC input source of 120V through 277V with sustained variations of +/- 10% (voltage and frequency).
- 2.5 Driver shall be high frequency electronic type and operate lamps at frequencies above 42 kHz to avoid interference with infrared devices and eliminate visible flicker.
- 2.6 Driver shall have a Power Factor of 0.94 or above when operating the maximum rated number of compatible lamps, and 0.88 or above when operating the minimum rated number of compatible lamps.
- 2.7 Driver input current shall Total Harmonic Distortion (THD) of 10% or less when operating the maximum rated number of compatible lamps and 15% or less when operating the minimum rated number of compatible lamps.
- 2.8 Driver shall have a Class A sound rating.
- 2.9 Driver shall have a minimum starting temperature of -13°F / -25°C.
- 2.10 Driver shall tolerate sustained open circuit and short circuit output conditions.
- 2.11 Driver shall control lamp light output from 100% - 5% relative light output for T8 TLED.
- 2.12 Driver shall be suitable of operation in up to a 45°C ambient temperature.

Section III - Regulatory Requirements

- 3.1 Driver shall not contain any Polychlorinated Biphenyl (PCB).
- 3.2 Driver shall be Underwriters Laboratories (UL) Recognized, Class P, and suitable for Damp and Dry conditions; and CSA Certified where applicable.
- 3.3 Driver shall comply with ANSI C62.41 Category A Transient protection.
- 3.4 Driver shall comply with the requirements of the Federal Communication Commission (FCC) rules and regulations, Title 47, CFR part 15, Non-Consumer (Class A) for EMI/RFI (conducted and radiated).
- 3.5 Driver shall comply with NEMA 410 for in-rush current limits.

Section IV - Other

- 4.1 Driver shall be manufactured in a factory certified to ISO 9001 Quality System Standards.
- 4.2 Driver shall carry a five year warranty from date of manufacture against defects in material and workmanship when operating in a 45°C ambient envi