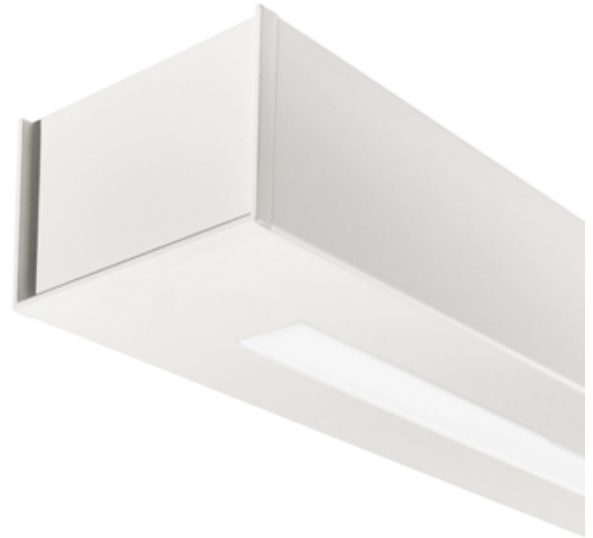


Minimalist scale, unequaled performance that delivers

CHOPSTICK SUSPENDED LED



SEMI-INDIRECT, MESOOPTICS LENS
3500K, 4800 LM/4FT

Project: _____

Spec Type: _____

Catalog No: 7505LBCxN _____

Qty _____

Line Notes: _____



Ordering guide

Product Type	Source	Color *	Lumens *	Lower Optics	Upper Optics	Run Length	Wiring †	Voltage	Driver ‡	Color
<input type="text" value="7505"/>	<input type="text" value="L"/>	<input type="text" value="B"/>	<input type="text" value="C"/>	<input type="text" value="x"/>	<input type="text" value="N"/>	<input type="text"/>	<input type="text"/>	<input type="text"/>	<input type="text"/>	<input type="text"/>
Chopstick "Susp Semi-Indirect	L LED	A 4000K B 3500K C 3000K	C 4800 lm/4ft E 3400 lm/4ft	Q 4ft MesoOptics S 6ft MesoOptics	N None	04 4' 06 6' 08 8'	1 1 cct 3 1 cct w/ EM cct 7 1 cct w/ Dimming 8 1 cct w/ TV B 2 cct A/B	1 120V 2 277V 3 347V	E Standard	W White T Titanium Silver B Black C Custom Color

* Nominal values † Consult website for complete list of standard wiring options ‡ Driver details on following pages

Mounting Hardware

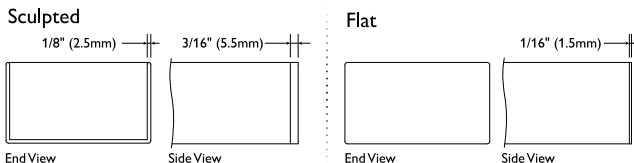
Mount Type
Consult separate mounting spec sheet for mount type options

Suspension Length
Distance from ceiling to top of luminaire in inches

Endcaps -

Integrated Controls Please indicate with check mark.

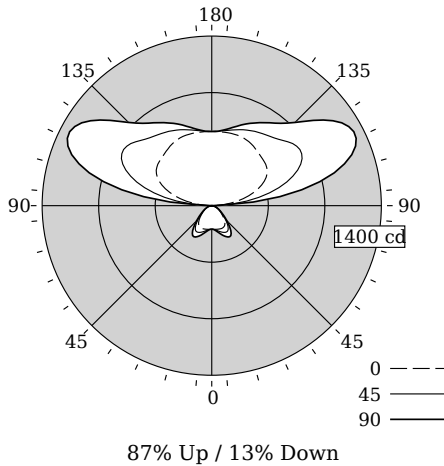
Response Daylight Single Zone (DS)



CHOPSTICK SUSPENDED LED

Semi-Indirect, MesoOptics Lens

Photometry



LED Lighting facts
A Program of the U.S. DOE

Light Output (Lumens) 4740
Watts 46.6
Lumens per Watt (Efficacy) 101

Color Accuracy
Color Rendering Index (CRI) **83**

Light Color
Correlated Color Temperature (CCT) **3402 (Bright White)**

Warm White Bright White Daylight
2700K 3000K 4500K 6500K

Warranty** Yes

All results, except LED Lumen Maintenance, are according to IESNA LM-79-2008 Approved Method for the Electrical and Photometric Testing of Solid-State Lighting. The U.S. Department of Energy (DOE) verifies product test data and results.

** See www.lightingfacts.com/products for details.

Registration Number: F462-TVH8QK (3/20/2014)
Model Number: 7505LBCxx04
Type: Luminaire - Linear

Total Output	4740 lm
Efficacy	101.7 lm/W
CCT	3402K
CRI	83
R9	9
Distribution	87% Up / 13% Down
Peak/Zenith Ratio	2.16
Peak Output	1322 cd @ 118°
Meets RP-1-04 recommendations for VDT-Intensive spaces	

Values per 4ft unit

Fixture photometry has been conducted by an NVLAP accredited testing laboratory in accordance with IESNA LM-79:2008

Lumen maintenance of the LEDs has been tested by the manufacturer in accordance with IESNA LM-80:2008

IES files for this and other photometric options can be downloaded online at www.lightingproducts.philips.com

Candela Distribution

Vertical Angle	Horizontal Angle					Zonal Lumens
	0	22.5	45	67.5	90	
0	194	194	194	194	194	0
5	197	194	197	198	198	19
15	201	204	217	230	233	62
25	205	215	244	272	282	112
35	189	202	237	268	279	145
45	136	142	158	172	178	122
55	85	87	94	98	98	84
65	51	52	55	55	54	54
75	22	25	25	25	26	27
85	4	6	7	7	8	8
90	0	0	0	0	0	0
95	96	117	180	290	345	220
105	316	383	574	885	1047	656
115	479	571	810	1142	1315	838
125	553	644	856	1099	1222	778
135	574	636	776	912	971	603
145	600	636	727	805	835	454
155	618	637	688	733	750	318
165	618	625	647	663	669	183
175	614	611	616	618	616	59
180	612	612	612	612	612	0

Coefficients of Utilization (%)

RCR	Ceiling:		80		70		50		0		
	70	50	30	10	70	50	30	10	70	50	
0	98	98	98	98	86	86	86	63	63	63	13
1	90	86	82	79	78	75	72	55	53	52	11
2	82	75	69	64	71	66	61	48	45	43	10
3	75	66	59	54	65	58	52	43	39	36	8
4	68	58	51	45	59	51	45	38	34	31	7
5	62	52	44	38	54	45	39	34	29	26	6
6	57	46	38	33	50	41	34	30	26	23	6
7	53	41	34	29	46	36	30	27	23	20	5
8	49	37	30	25	42	33	27	25	20	17	4
9	45	34	27	22	39	30	24	22	18	15	4
10	42	31	24	19	37	27	21	20	16	14	4

Avg. Luminance (cd/m²)

Vertical Angle	Horizontal Angle		
	0	45	90
55	4367	4790	5001
65	3537	3824	3824
75	2498	2810	2966
85	1391	2318	2781

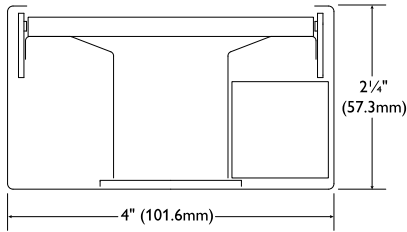
Electrical Specifications

Input Voltage	120V	277V
Input Power	46.6W	46W
Input Current	0.393A	0.179A
Power Factor	0.988	
Total Harm. Distortion	13.2%	
Tested values – contact technical support for rated values. Off-state power zero unless certain controls are specified.		

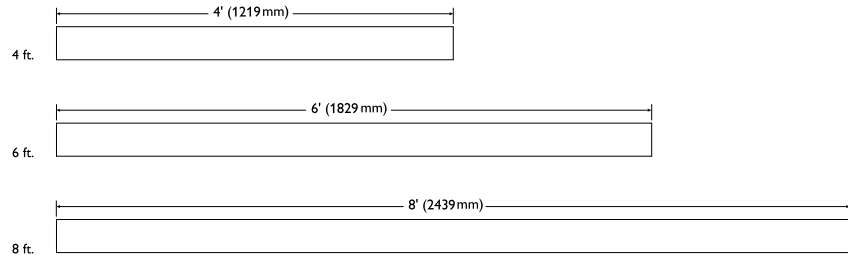
CHOPSTICK SUSPENDED LED

Semi-Indirect, MesoOptics Lens

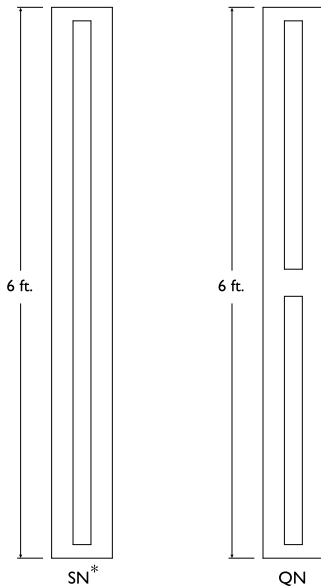
Options and Details



Modules



Optics & Styles



*SN optic is only available in 6ft modules

Housing

Precision formed 20 gauge cold-rolled steel.

Weight

Maximum 3.0lb/ft.

Optical System

A low-profile light guide panel is edge lit by an LED array. The light guide couples and transmits the light via total internal reflection, then the etched surface of the panel optimizes the light extraction to create a semi-indirect (suspended) or direct/indirect (wall) distribution. Light is purified and controlled by MesoOptics film as it passes through the nonglare acrylic lens.

Standard Driver

Dimming: 0-10V, 5-100%. Output is Class 2 rated.

Lumen Maintenance

At an ambient temperature of 25°C, the LED lumen maintenance expectation is L_{80} (12k) 70,000 hrs.

Mounting

Suspended: tamper-resistant aircraft cable grippers provide infinite vertical adjustment capability. Aircraft cable, crimp and cable gripper are independently tested to meet stringent safety requirements. **Wall:** Steel mounting brackets provided, spaced 4ft on center, fixture held 3/4" from wall.

Joints

Self-aligning joining system with hands-free pre-joining wire access.

Endcaps

Diecast aluminum endcaps, available in flat (standard) or edge sculpted.

Electrical

Factory pre-wired to section ends with quick-wire connectors.

Approvals

Certified to UL, CSA and IES standards.

Finish

High quality powder coated, available in matte white, black or titanium silver. Other factory and custom colors available on request.

Environment

Rated for dry or damp locations in operating ambient temperatures 0-40°C (32-104°F).

Due to continuing product improvements, Philips Ledalite reserves the right to change the specifications without notice.



©2014 Koninklijke Philips N.V. All rights reserved.
Specifications are subject to change without notice.
www.philips.com/luminaires

7505LBCxN.pdf 05.14 page 3 of 3

Philips Lighting
North America Corporation
200 Franklin Square Drive
Somerset, NJ 08873
Phone: 855-486-2216

Philips Lighting Company
281 Hillmount Road
Markham ON, Canada L6C 2S3
Phone: 800-668-9008