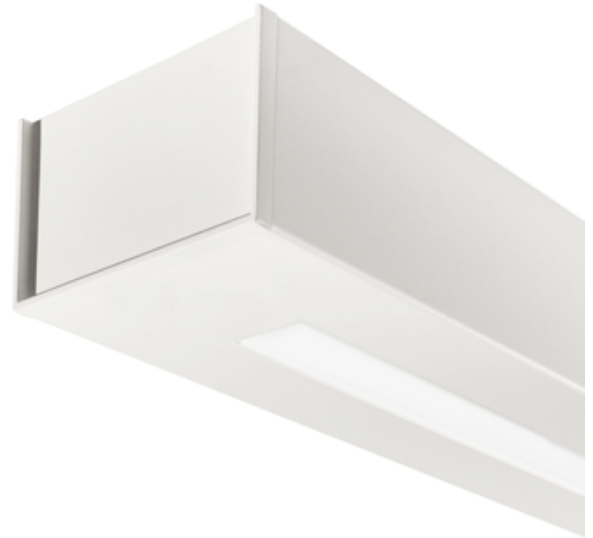


# Minimalist scale, unequaled performance that delivers

## CHOPSTICK SUSPENDED LED



SEMI-INDIRECT, MESOOPTICS LENS  
3500K, 3400 LM/4FT

**Project:** \_\_\_\_\_

**Spec Type:** \_\_\_\_\_

**Catalog No:** 7505LBExN

**Qty** \_\_\_\_\_

**Line Notes:** \_\_\_\_\_



### Ordering guide

Product Type	Source	Color *	Lumens *	Lower Optics	Upper Optics	Run Length	Wiring †	Voltage	Driver ‡	Color
<input type="text" value="7505"/>	<input type="text" value="L"/>	<input type="text" value="B"/>	<input type="text" value="E"/>	<input type="text" value="x"/>	<input type="text" value="N"/>	<input type="text"/>	<input type="text"/>	<input type="text"/>	<input type="text"/>	<input type="text"/>
Chopstick "Susp Semi-Indirect	L LED	A 4000K B 3500K C 3000K	C 4800 lm/4ft E 3400 lm/4ft	Q 4ft MesoOptics S 6ft MesoOptics	N None	04 4' 06 6' 08 8'	1 1 cct 3 1 cct w/ EM cct 7 1 cct w/ Dimming 8 1 cct w/ TV B 2 cct A/B	1 120V 2 277V 3 347V	E Standard	W White T Titanium Silver B Black C Custom Color

\* Nominal values † Consult website for complete list of standard wiring options ‡ Driver details on following pages

### Mounting Hardware

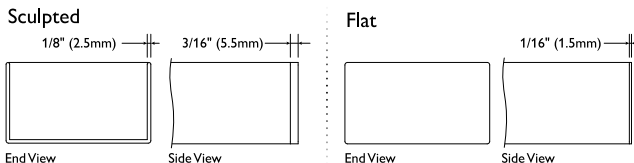
Mount Type  
Consult separate mounting spec sheet for mount type options

Suspension Length  
Distance from ceiling to top of luminaire in inches

Endcaps -

**Integrated Controls** Please indicate with check mark.

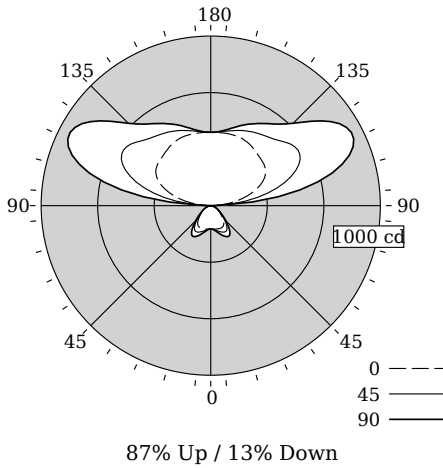
Response Daylight Single Zone (DS)



# CHOPSTICK SUSPENDED LED

Semi-Indirect, MesoOptics Lens

## Photometry



**LED lighting facts**  
A Program of the U.S. DOE

**Light Output (Lumens)** 3352  
**Watts** 31.8  
**Lumens per Watt (Efficacy)** 105

**Color Accuracy**  
Color Rendering Index (CRI) **83**

**Light Color**  
Correlated Color Temperature (CCT) **3402 (Bright White)**

Warm White    Bright White    Daylight  
2700K    3000K    4500K    6500K

**Warranty\*\*** Yes

All results, except LED Lumen Maintenance, are according to IESNA LM-79-2008 Approved Method for the Electrical and Photometric Testing of Solid-State Lighting. The U.S. Department of Energy (DOE) verifies product test data and results.

\*\* See [www.lightingfacts.com/products](http://www.lightingfacts.com/products) for details.

Registration Number: F462-LZC10F (3/20/2014)  
Model Number: 7505LBExx04  
Type: Luminaire - Linear

Total Output	3352 lm
Efficacy	105.4 lm/W
CCT	3402K
CRI	83
R9	9
Distribution	87% Up / 13% Down
Peak/Zenith Ratio	2.16
Peak Output	935 cd @ 118°
Meets RP-1-04 recommendations for VDT-Intensive spaces	

Values per 4ft unit

Fixture photometry has been conducted by an NVLAP accredited testing laboratory in accordance with IESNA LM-79:2008

Lumen maintenance of the LEDs has been tested by the manufacturer in accordance with IESNA LM-80:2008

IES files for this and other photometric options can be downloaded online at [www.lightingproducts.philips.com](http://www.lightingproducts.philips.com)

## Candela Distribution

Vertical Angle	Horizontal Angle					Zonal Lumens
	0	22.5	45	67.5	90	
0	137	137	137	137	137	0
5	139	137	139	140	140	13
15	142	144	154	162	164	44
25	145	152	172	193	199	79
35	133	143	167	190	198	102
45	96	100	112	122	126	86
55	60	61	66	69	69	59
65	36	37	39	39	39	38
75	16	18	18	18	18	19
85	3	4	5	5	6	5
90	0	0	0	0	0	0
95	68	83	127	205	244	155
105	224	270	406	626	740	464
115	339	404	573	808	930	593
125	391	455	605	777	864	550
135	406	450	549	645	687	426
145	424	450	514	569	591	321
155	437	450	487	519	530	225
165	437	442	457	469	473	130
175	434	432	436	437	436	42
180	433	433	433	433	433	0

## Coefficients of Utilization (%)

RCR	Ceiling: 80		70		50		0				
	70	50	30	10	70	50	30	10			
0	98	98	98	98	86	86	86	63	63	63	13
1	90	86	82	79	78	75	72	55	53	52	11
2	82	75	69	64	71	66	61	48	45	43	10
3	75	66	59	54	65	58	52	43	39	36	8
4	68	58	51	45	59	51	45	38	34	31	7
5	62	52	44	38	54	45	39	34	29	26	6
6	57	46	38	33	50	41	34	30	26	23	6
7	53	41	34	29	46	36	30	27	23	20	5
8	49	37	30	25	42	33	27	25	20	17	4
9	45	34	27	22	39	30	24	22	18	15	4
10	42	31	24	19	37	27	21	20	16	14	4

## Avg. Luminance (cd/m2)

Vertical Angle	Horizontal Angle		
	0	45	90
55	3088	3387	3536
65	2501	2704	2704
75	1766	1987	2097
85	983	1639	1967

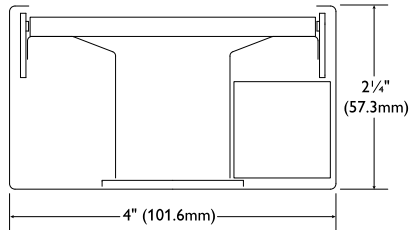
## Electrical Specifications

Input Voltage	120V	277V
Input Power	31.8W	31.7W
Input Current	0.269A	0.129A
Power Factor	0.985	
Total Harm. Distortion	15.7%	
Tested values – contact technical support for rated values. Off-state power zero unless certain controls are specified.		

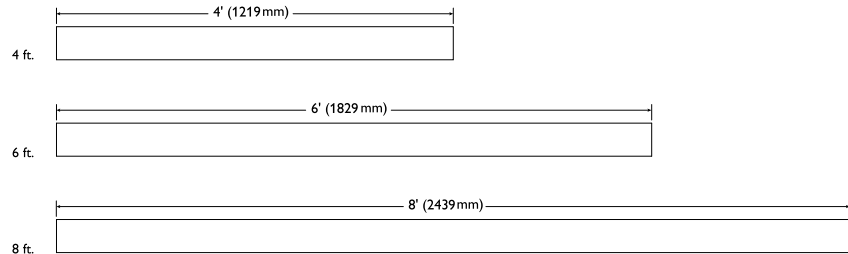
# CHOPSTICK SUSPENDED LED

Semi-Indirect, MesoOptics Lens

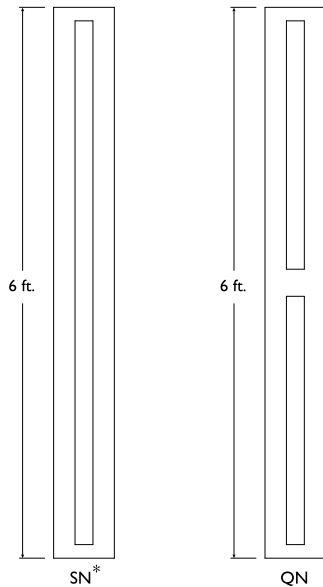
## Options and Details



### Modules



## Optics & Styles



\*SN optic is only available in 6ft modules

### Housing

Precision formed 20 gauge cold-rolled steel.

### Weight

Maximum 3.0lb/ft.

### Optical System

A low-profile light guide panel is edge lit by an LED array. The light guide couples and transmits the light via total internal reflection, then the etched surface of the panel optimizes the light extraction to create a semi-indirect (suspended) or direct/indirect (wall) distribution. Light is purified and controlled by MesoOptics film as it passes through the nonglare acrylic lens.

### Standard Driver

Dimming: 0-10V, 5-100%. Output is Class 2 rated.

### Lumen Maintenance

At an ambient temperature of 25°C, the LED lumen maintenance expectation is  $L_{80}$  (12k) 70,000 hrs.

### Mounting

**Suspended:** tamper-resistant aircraft cable grippers provide infinite vertical adjustment capability. Aircraft cable, crimp and cable gripper are independently tested to meet stringent safety requirements. **Wall:** Steel mounting brackets provided, spaced 4ft on center; fixture held 3/4" from wall.

### Joints

Self-aligning joining system with hands-free pre-joining wire access.

### Endcaps

Diecast aluminum endcaps, available in flat (standard) or edge sculpted.

### Electrical

Factory pre-wired to section ends with quick-wire connectors.

### Approvals

Certified to UL, CSA and IES standards.

### Finish

High quality powder coated, available in matte white, black or titanium silver. Other factory and custom colors available on request.

### Environment

Rated for dry or damp locations in operating ambient temperatures 0-40°C (32-104°F).

Due to continuing product improvements, Philips Ledalite reserves the right to change the specifications without notice.



©2014 Koninklijke Philips N.V. All rights reserved.  
Specifications are subject to change without notice.  
[www.philips.com/luminaires](http://www.philips.com/luminaires)

7505LBExN.pdf 05.14 page 3 of 3

Philips Lighting  
North America Corporation  
200 Franklin Square Drive  
Somerset, NJ 08873  
Phone: 855-486-2216

Philips Lighting Company  
281 Hillmount Road  
Markham ON, Canada L6C 2S3  
Phone: 800-668-9008