

READ AND UNDERSTAND THESE INSTRUCTIONS BEFORE INSTALLING FIXTURE

This fixture is intended for installation in accordance with the National Electrical Code and local regulations. To assure full compliance with local codes and regulations, check with your local electrical inspector before installation. To prevent electrical shock, turn off electricity at fuse box before proceeding.

Retain these instructions for maintenance reference.

INSTRUCTION SHEET NO.

IS:6196

A1294

Page 1 of 2

INSTRUCTIONS FOR ATTACHING COIL CORD CLAMP-ON MONOPOINT FOR USE WITH LIGHTOLIER TRACK FIXTURES ONLY

ATTACHING COILED CORD CLAMP-ON MONOPOINT TO PIPE OR PIPE STRUCTURE

This CLAMP is designed to mount on round pipe, pipe structures, or round supports. Secure the CLAMP to structure by tightening the TIGHTENING KNOB and the body allowed to face downward to minimize force required to support Lytespots (Fig. 1). A (3) prong 120V, 60 Hz, grounded receptacle is required to energize the unit.

ATTACHING LYTESPOT WITH "T" ADAPTOR TO COIL CORD CLAMP

1. Position LEVER as shown in Fig. 2.
2. Align BEAD on MONOPOINT ADAPTOR with GROOVE in "T" adaptor, see Fig. 2 (If BEAD is NOT aligned, a potential hazard may result). Rotate LEVER 90 degrees to secure Lytespot.
3. To remove Lytespot: Hold fixture and rotate LEVER 90 degrees (Fig. 3).

CAUTION - INJURY TO PERSONS AND DAMAGE TO THE LAMP AND/OR MOUNTING SURFACE MAY RESULT IF THE LAMP IS PULLED FROM THE SURFACE. TO REDUCE THE LIKELIHOOD OF SUCH INJURY OR DAMAGE, MOUNT ONLY ON A SURFACE THAT IS MECHANICALLY SOUND.

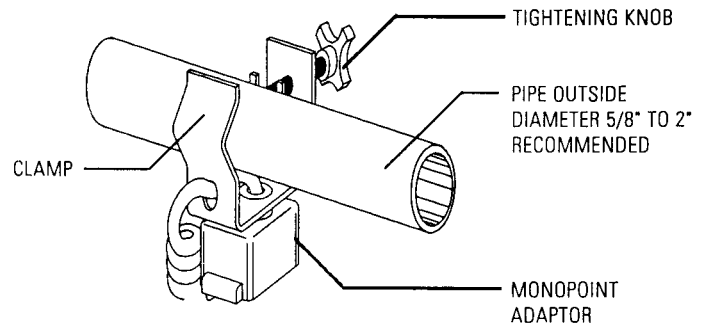


FIG. 1

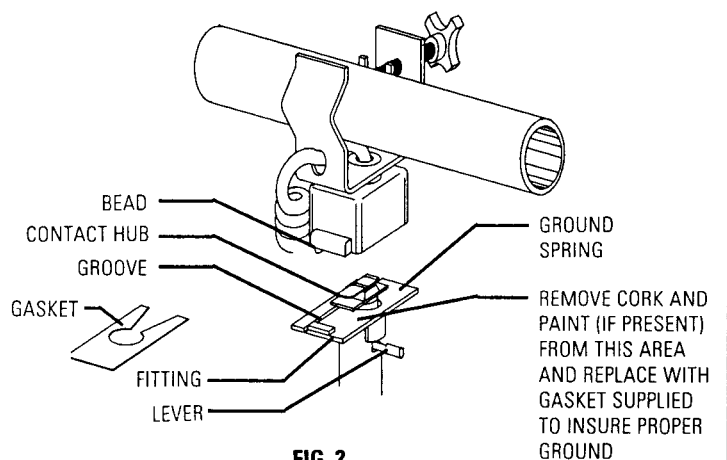


FIG. 2

"T" ADAPTOR (1DIA. SHAFT) USED WITH CAT.NO.s 6435 & 7599	BOX ADAPTOR
NOTE: Not designed to work with COIL CORD CLAMP-ON MONOPOINT	

FIG. 4

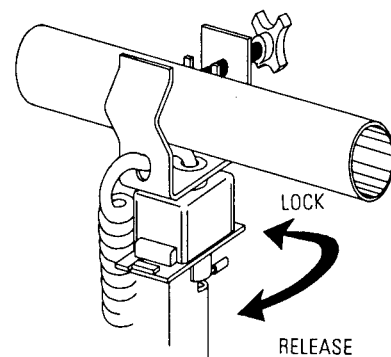


FIG. 3

INSTRUCTIONS FOR ATTACHING COIL CORD CLAMP-ON MONOPOINT (Cont'd) FOR USE WITH LIGHTOLIER TRACK FIXTURES ONLY

INSTRUCTIONS FOR ATTACHING LYTESPOT WITH SQUAT ADAPTOR TO COIL CORD CLAMP

1. Insert the SQUAT ADAPTOR into the MONOPOINT ADAPTOR. The LOCKING LEVER must be on the same side as the BEAD located on the MONOPOINT ADAPTOR (See Fig. 5). Rotate the SQUAT ADAPTOR 90 degrees clockwise until LOCKING LEVER locks into place (See Fig. 5, 6 & 7).
2. To remove, depress LOCKING LEVER and rotate SQUAT ADAPTOR 90 degrees counterclockwise.

CAUTION - SUPPORT THE MONOPOINT ADAPTOR WHENEVER MANIPULATING THE FIXTURE.

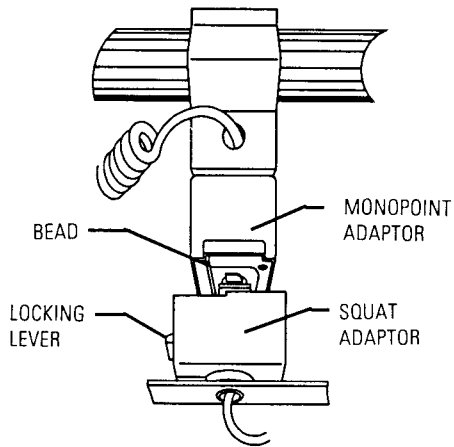


FIG. 5

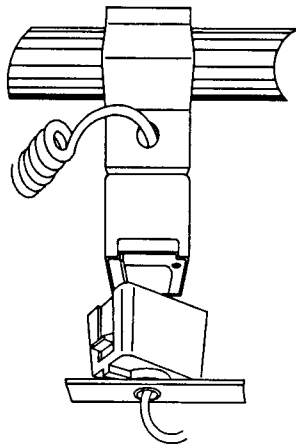


FIG. 6

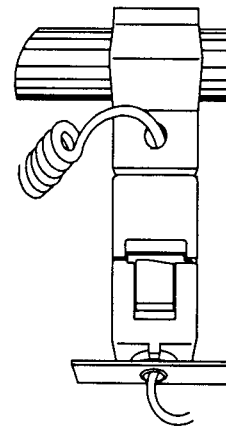


FIG. 7

INSTRUCTIONS FOR ATTACHING LOW VOLTAGE TO COIL CORD CLAMP

1. Insert the LOW VOLTAGE ADAPTOR into the MONOPOINT ADAPTOR. The LOCKING LEVER must be on the same side as the BEAD located on the MONOPOINT ADAPTOR (See Fig. 8). Rotate the LOW VOLTAGE ADAPTOR 90 degrees clockwise to secure fixture and make electrical connection (See Fig. 8, 9 & 10).
2. To remove, rotate LOW VOLTAGE ADAPTOR 90 degrees counterclockwise.

CAUTION - SUPPORT THE MONOPOINT ADAPTOR WHENEVER MANIPULATING THE FIXTURE.

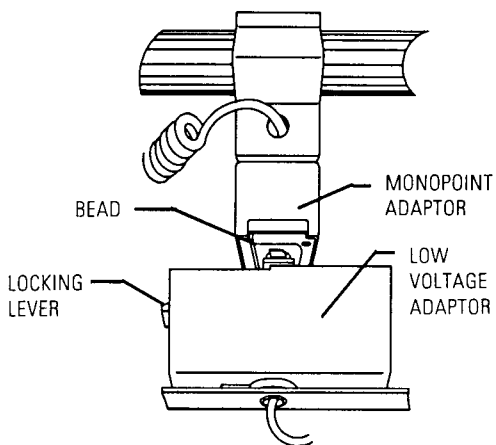


FIG. 8

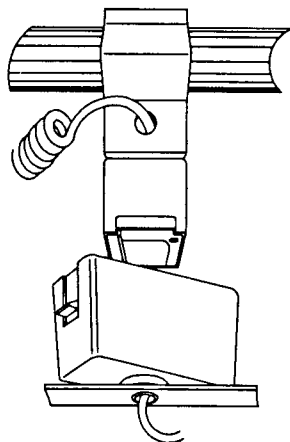


FIG. 9

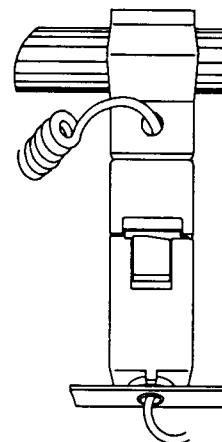


FIG. 10