

2 Lamp  
T8 or T12

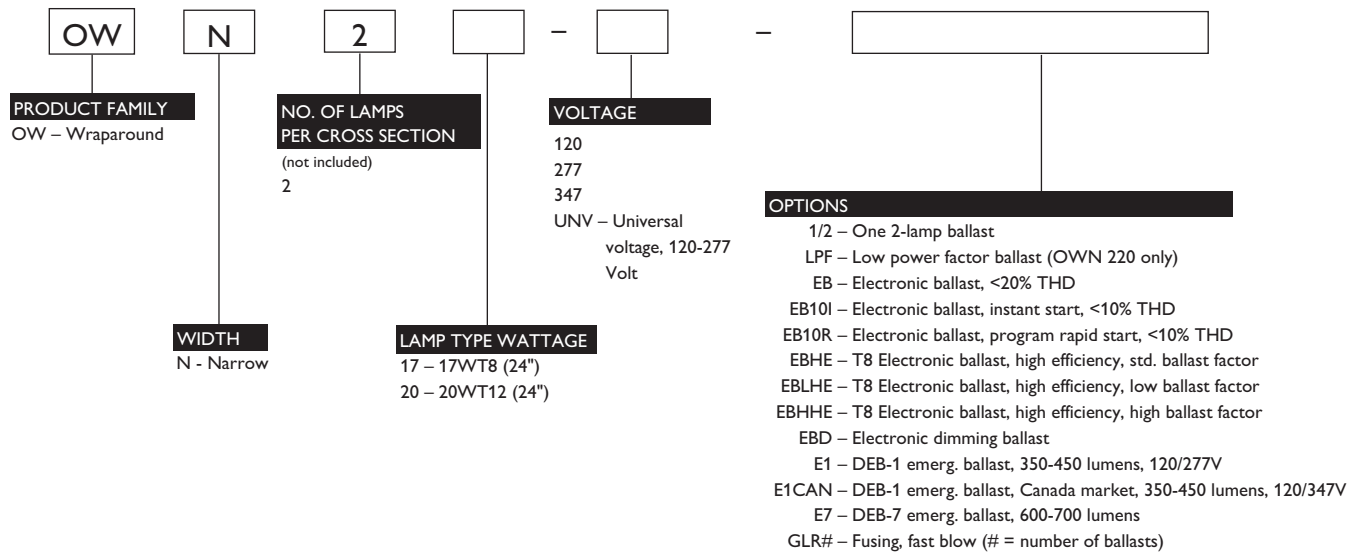
**CONSTRUCTION/FINISH**

- Pattern 12 bottom prisms with interior linear side wall prisms for maximum cleanliness and light control.
- Tapered shape provides a modern appearance.
- Full steel end plates feature embosses for improved aesthetics.
- 100% virgin acrylic lens hinges from either side for easy maintenance.
- Housing is multi-stage phosphate treated for maximum corrosion resistance and finish coat is high reflectance baked white enamel.
- Multiple knockouts accommodate a variety of mounting methods.
- Heavy duty channel of code gauge die formed steel.
- For surface or stem mounting.

**ELECTRICAL**

- Lampholders may be individually replaced or rewired.
- cULus listed for direct mounting on low density ceilings and damp locations.
- Self-contained fluorescent emergency power packs can be incorporated, listed for dry locations.

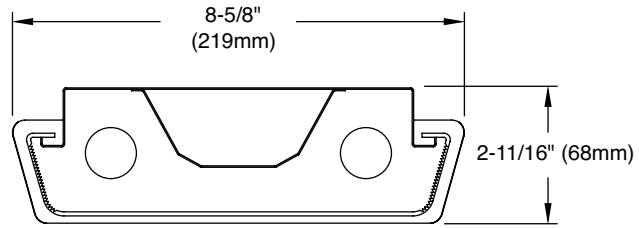
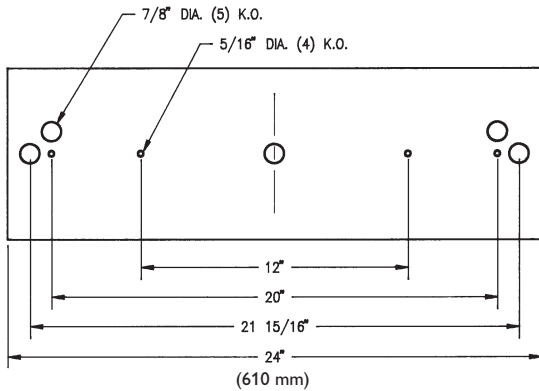
**CATALOG NUMBER**



See Section 1600-OA for Option Information.  
See Page 950-SS for Mounting Hardware.

**JOB INFORMATION**

DIMENSIONS



PHOTOMETRIC DATA    CATALOG # OWN217-1/2-EB    LAMPS = F17T8    INPUT WATTS = 30    LER = 65  
 TEST # 28878    S/MH=1.3    BALLAST = ELECTRONIC    BALLAST FACTOR = 0.90    TER = 54  
 COMPARATIVE YEARLY LIGHTING ENERGY COST PER 1000 LUMENS = \$3.69 BASED ON 3000 HRS. AND \$.08 PER KWH.    FIXTURE EFFICIENCY= 81.5%

CANDLEPOWER				
Angle	End	45	Cross	
0	680	680	680	680
5	678	680	682	682
15	658	661	663	663
25	616	621	621	621
35	553	553	557	557
45	452	461	465	465
55	296	321	327	327
65	135	174	187	187
75	60	110	131	131
85	20	85	124	124
95	0	83	120	120
105	1	88	107	107
115	6	68	84	84
125	11	46	59	59
135	13	28	35	35
145	11	16	18	18
155	10	8	12	12
165	9	7	7	7
175	10	9	10	10

MAINTAINED ILLUMINATION TABLE- Square Feet/ Fixture*						
■ 80-50-20 Reflectances (Ceiling-Wall-Floor) ■ LLF = 0.79 1325 Lumens/Lamp very clean ■ Room width divided by room height = 5 or more, 2 or 1						
Fixture Size & # of Lamps	Room Width Room Height =	Approx. Area (sq. ft.) per Fixture				
		10 ft-c	30 ft-c	50 ft-c	70 ft-c	100 ft-c
2'	5	-	57	34	-	-
2- Lamp	2	117	39	-	-	-
	1	86	-	-	-	-

\*Observe Fixture S/MH Requirements for Specific Applications

AVERAGE LUMINANCE CD/SQ.M WITH 1325 LUMEN LAMPS				
ANGLE	END	45°	CROSS	
45	4710	4352	4356	4356
55	3709	3514	3543	3543
65	2205	2352	2492	2492
75	1472	2023	2361	2361
85	1048	2567	3618	3618

TYPICAL V.C.P.'s				
Room Size	Mounting Height			
	Lengthwise	Crosswise		
	8.5	10	8.5	10
30x30	54	58	49	56
40x40	49	53	44	49
60x30	55	59	52	58
60x60	44	48	38	42
100x100	40	43	32	35

COEFFICIENT OF UTILIZATION										
pfc pcc pw	20			70			50			
	70	50	30	70	50	30	50	30		
RCR	0	93	93	93	91	91	91	84	84	
	1	85	81	78	82	79	76	73	70	
	2	78	71	66	75	68	64	65	60	
	3	71	63	56	68	60	55	56	52	
	4	66	56	48	63	54	47	51	46	
	5	60	50	42	57	48	41	46	40	
	6	56	45	38	54	44	36	41	35	
	7	52	40	34	50	40	34	38	32	
	8	47	38	30	46	36	29	34	28	
	9	45	34	28	42	34	27	32	26	
	10	41	32	25	40	30	25	28	23	

LIGHT DISTRIBUTION			
DEGREES	LUMENS	% LAMP	% FIXTURE
0-30	537	20.2	24.9
0-40	882	33.3	40.8
0-60	1515	57.2	70.2
0-90	1880	70.9	87.1
90-180	279	10.5	12.9
0-180	2159	81.5	100.0

LLF = .79    LLF = LIGHT LOSS FACTOR    LLF = LDD X LLD X BF    LDD = VERY CLEAN 0.94    CLEAN 0.90  
 LLD = 0.93 @ 40% RATED LAMP LIFE    BF = 0.90 ELECTRONIC BALLAST & T8 LAMP (RELAMP AT 70% LAMP LIFE)



Some luminaires use fluorescent or high intensity discharge (HID) lamps that contain small amounts of mercury. Such lamps are labeled, "Contain Mercury" and/or the symbol "HG". Lamps that contain mercury must be disposed of in accordance with local requirements. Information regarding lamp recycling and disposal can be found at [www.lamprecycle.org](http://www.lamprecycle.org)



© 2014 Koninklijke Philips N.V. All rights reserved.  
 Specifications are subject to change without notice.  
[www.philips.com/luminaires](http://www.philips.com/luminaires)

Philips Lighting  
 North America Corporation  
 200 Franklin Square Drive  
 Somerset, NJ 08873  
 Phone: 855-486-2216

Philips Lighting Company  
 281 Hillmount Road  
 Markham ON, Canada L6C 2S3  
 Phone: 800-668-9008