

READ AND UNDERSTAND THESE INSTRUCTIONS BEFORE INSTALLING FIXTURE

This fixture is intended for installation in accordance with the National Electrical Code and local regulations. To assure full compliance with local codes and regulations, check with your local electrical inspector before installation. To prevent electrical shock, turn off electricity at fuse box before proceeding.

Retain these instructions for maintenance reference.

INSTRUCTION SHEET NO.

IS:6063

A1294 Page 1 of 1

SADDLE CANOPY KIT

FOR USE WITH 6000 OR 9100 SERIES LIGHTOLIER LIGHTING TRACK SYSTEM ONLY

The Saddle Canopy Mounting Kit mounts to any point along the track for feeding power from an outlet box. Extra Dead End Cover is included to replace LIVE END if desired.

CAUTION: TURN OFF POWER AT FUSE BOX BEFORE INSTALLING TRACK. INSTRUCTIONS FOR GROUNDING MUST BE FOLLOWED. FAILURE TO DO SO MAY RESULT IN A HAZARDOUS CONDITION.

1. Attach CROSSBAR to OUTLET BOX as shown in Fig. 1.
2. Mount track to ceiling as shown in Instruction Sheet 6020 or 9100 bringing lead wires (#12 ga.) from OUTLET BOX down either side of track.
3. Insert FITTING into TRACK (see Fig. 2) with LOCKING LEVER on same side of track as BEAD.
4. Rotate FITTING 90° clockwise until LOCKING LEVER snaps into place (see Fig. 2).
5. Make wiring connections: black to black, white to white, green or bare wire to grounding terminal or ground wire in OUTLET BOX (see Fig. 3).
6. Insert wiring connections into OUTLET BOX (see Fig. 3).
7. Place CANOPY over FITTING, line up holes in CANOPY with threaded holes in CROSSBAR, and fasten together with screws (included). Make certain that wires do not interfere with proper seating of CANOPY.
8. LIVE END may be removed and replaced with DEAD END COVER (included).

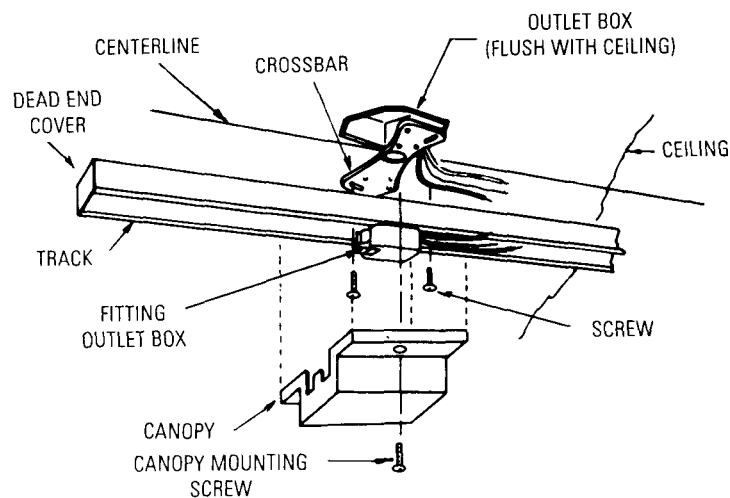


FIG. 1

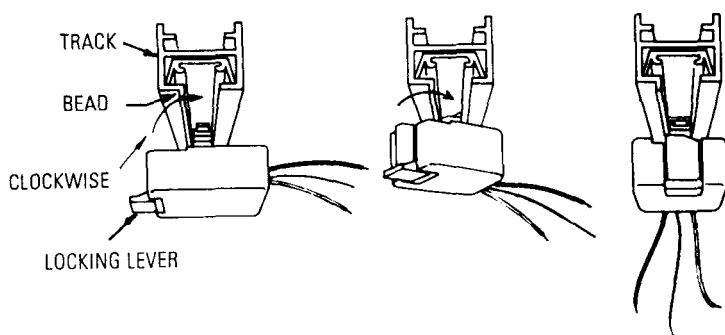


FIG. 2

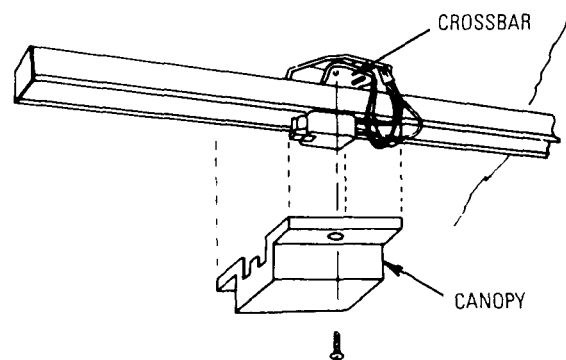


FIG. 3

LIGHTOLIER® SECAUCUS, NEW JERSEY 07096
MONTREAL, QUEBEC, CANADA