

# PHILIPS LIGHTOLIER

## Track Lighting

### CorePro LED Mini Cylinder

2.25" aperture, 8.9W,  
700lm track head



Project: \_\_\_\_\_  
 Location: \_\_\_\_\_  
 Cat.No: \_\_\_\_\_  
 Type: \_\_\_\_\_  
 Lamps: \_\_\_\_\_ Qty: \_\_\_\_\_  
 Notes: \_\_\_\_\_

The Philips Lightolier CorePro LED Mini Cylinder is a completely integrated LED luminaire. By combining the optics, light source, thermal management system and driver into a single housing, this luminaire provides a sleek look suitable for lower mounting heights and smaller spaces. This small, sleek luminaire design offers efficacy up to 80lm/w.

### Ordering guide

Example: LT08RNF830AL , LT08RNF930ALCW

Series	Beam Spread	CRI/CCT	Finish	Options
<input type="text" value="LT08"/>	<input type="text"/>	<input type="text"/>	<input type="text"/>	<input type="text"/>
LT08 CorePro LED Mini Cylinder	RNF 20° Narrow Flood RWF 35° Wide Flood	827 CRI 80 2700K 830 CRI 80 3000K 930 CRI 90 3000K	AL Aluminum BK Black WH White	CW CrispWhite*

\* CrispWhite available for 930 only  
 For other configurations and variations please contact the factory

### Features

- Track attachment fitting:** Molded polycarbonate Integral color in gray, black or white. Rotates into place with the use of a push tab.
- Push tab:** Molded polycarbonate. Locks and detaches unit.
- Driver and optic housing:** Extruded aluminum. Steel eyelet friction connection. Rotates 180°.
- Movable contact:** Solid brass. Extends for connection to 2nd circuit in Advent track.
- Ground contact:** Solid brass.
- Integrated heat sink:** Passive cooling, integrated into optic and driver housing.
- Optics:** Single optic TIR (total internal reflection) optically clear thermoplastic. Prevents dust and contaminants from entering the luminaire.
- Light source:** Single Luxeon 1203 chip on board light emitting diode.
- Finish:** Powder coat finish.

### Electrical

Electronic power supply  
 Input voltage: 120, 50/60Hz  
 Input power: 8.9W  
 High Power factor: 0.99  
 Lumen Maintenance: >70% of initial lumens at 50,000hrs.  
 Photometric performance:  
 Tested in accordance with LM79.

Catalog Number	Beam Angles	Flux	Power	Efficacy	CBCP
LT08RNF830	20° Narrow Flood	633	8.9W	71.1	2926
LT08RWF830	35° Wide Flood	702	8.9W	78.9	1537

### Dimming

Trailing Edge (ELV) dimming.

### Labels

cULus listed. 5 year warranty.  
 ENERGY STAR® certified.

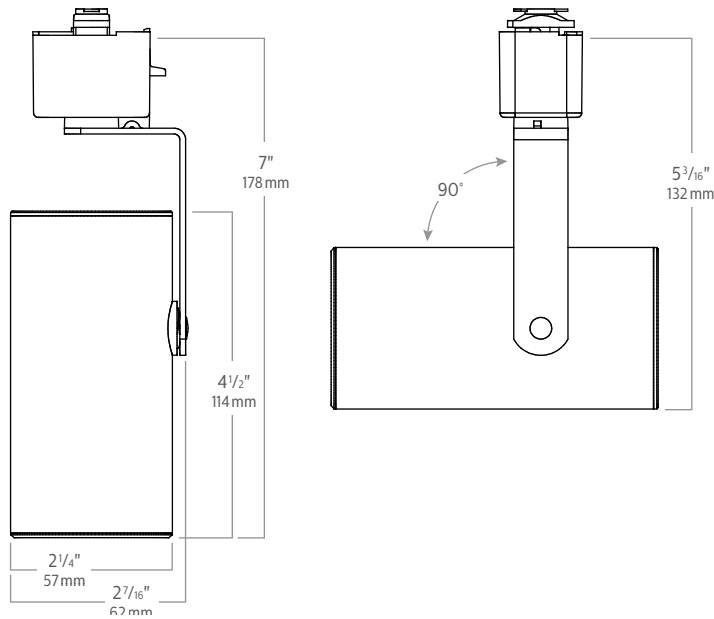
### CrispWhite Technology (90CRI 3000K only)

The Lumileds 90CRI CrispWhite technology combines the warm, saturated colors of high CRI with crisp and vibrant whites. The small form factor and high quality of light make this an impactful option for retail display areas.



# LT08 CorePro LED Mini Cylinder

2.25" aperture, 8.9W, 700lm track head

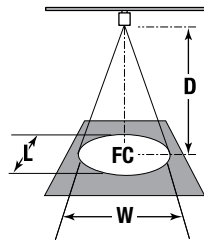


## 8.9W LED, 3000K, Narrow and Wide, 700 lumen

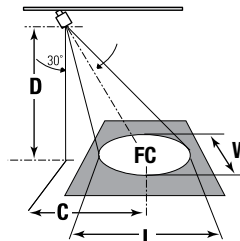
### Aiming angle

L and W are the outer points where the candle power drops to 50% of the maximum. FC are the initial footcandles at the center of the beam. Data shown is for 3000K. For 2700K CRI 80 multiply FC by 0.98. For 3000K CrispWhite multiply by 0.92.

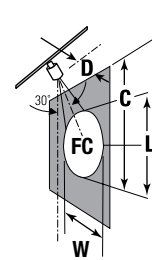
- L = Beam length
- W = Beam width
- D = Distance
- C = Distance to center beam
- A = Aiming angle
- FC = Footcandles
- CBCP = Center Beam Candle Power



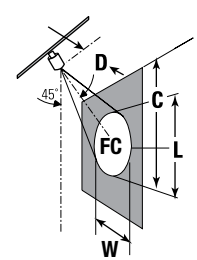
0° horizontal aiming angle



30° horizontal aiming angle



30° vertical aiming angle



45° vertical aiming angle

	Beam spread (To 50% CBCP)	CBCP Rated Life (Hrs.)	0° horizontal aiming angle					30° horizontal aiming angle					30° vertical aiming angle					45° vertical aiming angle				
			D	C	FC	L	W	D	C	FC	L	W	D	C	FC	L	W	D	C	FC	L	W
LT08RNF830 Narrow Flood	21°	2,926 50,000	5'	0.0'	117	1.9'	1.9'	5'	2.9'	76	2.5'	2.1'	2'	2.6'	163	2.5'	1.1'	2'	2.0'	259	1.5'	1.0'
			6'	0.0'	81	2.2'	2.2'	6'	3.5'	53	3.0'	2.6'	2'	3.5'	91	3.3'	1.5'	3'	3.0'	115	2.3'	1.6'
			7'	0.0'	60	2.6'	2.6'	7'	4.0'	39	3.5'	3.0'	3'	5.2'	41	5.0'	2.2'	4'	4.0'	65	3.1'	2.1'
			8'	0.0'	46	3.0'	3.0'	8'	4.6'	30	4.0'	3.4'	4'	6.9'	23	6.6'	3.0'	5'	5.0'	41	3.8'	2.6'
LT08RWF830 Wide Flood	35°	1,537 50,000	5'	0.0'	61	3.2'	3.2'	5'	2.9'	40	4.3'	3.6'	2'	2.6'	85	5.4'	1.9'	2'	2.0'	136	2.8'	1.8'
			6'	0.0'	43	3.8'	3.8'	6'	3.5'	28	5.2'	4.4'	2'	3.5'	48	7.2'	2.5'	3'	3.0'	60	4.2'	2.7'
			7'	0.0'	31	4.4'	4.4'	7'	4.0'	20	6.1'	5.1'	3'	5.2'	21	10.8'	3.8'	4'	4.0'	34	5.6'	3.6'
			8'	0.0'	24	5.0'	5.0'	8'	4.6'	16	7.0'	5.8'	4'	6.9'	12	14.4'	5.0'	5'	5.0'	22	7.0'	4.5'

© 2014 Koninklijke Philips N.V. All rights reserved.  
 Philips reserves the right to make changes in specifications and/or to discontinue any product at any time without notice or obligation and will not be liable for any consequences resulting from the use of this publication.  
[philips.com/luminaires](http://philips.com/luminaires)



Philips Lighting North America Corporation  
 200 Franklin Square Drive, Somerset, NJ 08873  
 Tel. 855-486-2216

Imported by: Philips Lighting  
 A division of Philips Electronics Ltd.  
 281 Hillmount Rd, Markham, ON, Canada L6C 2S3  
 Tel. 800-668-9008