

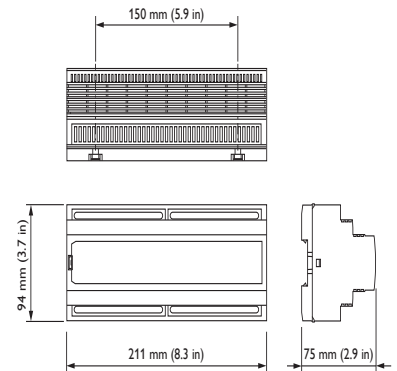


DDLE802 Leading Edge Dimmer Controller

Control lighting loads in residential or hotel room environments

The DDLE802 is an eight channel leading edge dimmer controller with a maximum load per channel of 2A. It is suitable for use with incandescent, low voltage, neon and selected fluorescent fixtures.

- Optional manual override LED illuminated server switch — Provides diagnostic and local override capability.
- Soft start and voltage regulation technologies — Protects lamps from over voltage and dramatically improves lamp life, reducing maintenance costs.
- Naturally ventilated — No forced cooling required, no maintenance required.
- Flexible mounting solution — A DIN-rail mountable device, designed to be installed into the distribution board supplying power to the controlled circuit.



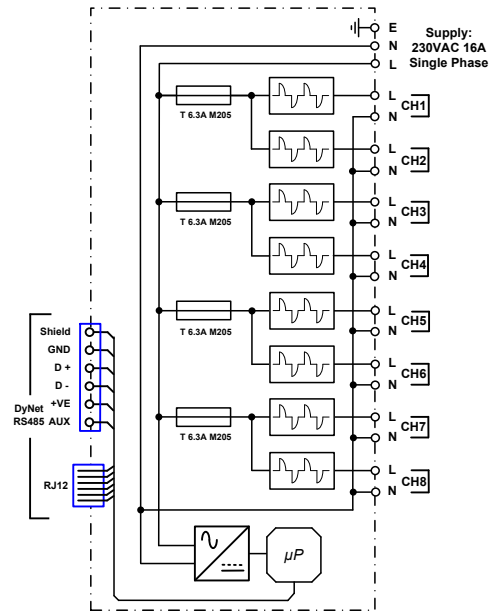
For detailed product information, please refer to the product information pages at www.philips.com/dynalite and follow the links.

Specifications

Due to continuous improvements and innovations, specifications may change without notice.

Item	Specification	Details
Electrical	Input Voltage	230 VAC \pm 14% 50 / 60 Hz Single Phase @ 16 A
	DyNet DC Supply	12 VDC @ 120 mA (supply for approx 6 user interfaces)
	Outputs	8 x dimmed outputs leading edge phase control @ 2 A Maximum device load is 16A
	Protection	Each pair of channels protected by a replaceable 6.3A time delay M205 fuse
	Regulating Device	Triac - 20 A, 600 V, 200 A surge
Control	Control Inputs/Outputs	One DMX512 / RS-485 DyNet serial port One programmable dry contact AUX input
	User Controls	Service switch Service indicating LED
	Diagnostic Functions	Circuit run time tracking on each channel Device online/offline status
Physical	Supply Terminals	2 x 2.5mm ² or 1 x 4 mm ² conductor size Line, Neutral, Earth
	Output Terminals	Line, Neutral for each channel 2 x 2.5mm ² or 1 x 4 mm ² conductor size
	Cooling System	Naturally ventilated, no forced cooling, no maintenance
	Dimensions (H x W x D)	94 mm x 211 mm x 75 mm (3.7" x 8.3" x 2.9")
	Packed Weight	0.94 kg
	Construction	Polycarbonate DIN-rail enclosure (12 unit)
	Operating Conditions	Temperature: -0 to 40° C ambient Humidity: 0 to 95% non-condensing
Certification	Certification	CE, C-Tick
	Options & Ordering	Standard Product: DDLE802 (Philips 12NC - 913703000009) Manual Override: DDLE802-MO (Philips 12NC - 913703000109)

Electrical Diagram



Philips Dyalite
6 / 691 Gardeners Road
Mascot, NSW 2020
Australia
Tel: +61 2 8338 9899
Email: dyalite.info@philips.com
Web: www.philips.com/dyalite

Specifications subject to change without notice. ©WMGD Pty Ltd Trading as Dyalite. Unit 6, 691 Gardeners Road Mascot 2020 Australia. ABN 33 097 246 921. All rights reserved. Dyalite, DyNet and associated logos are the registered trademarks of WMGD Pty Ltd. Not to be reproduced without permission.