

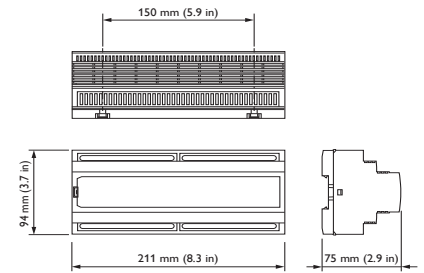


# DDRC-GRMS10 Hotel Room Controller

## Compact dedicated controller for hotel room control solutions

The DDRC-GRMS10 controller is a purpose built hotel room automation and energy management system. This dedicated controller is completely self-contained and requires no external power supply, relays or processor.

- Dry contact inputs — The unit receives instructions from momentary button presses or card-holder reader within the guest room.
- Pre-programmed — No programming required as the unit is supplied with complex functions such as 'master on/off', 'room unoccupied', 'do not disturb' or 'make-up room' already incorporated.
- Built-in motor directional relays — Provides control of motorized blinds for a full automation solution.
- Two 16 A power relays — Allow a full energy management solution to be implemented, ensuring standby power consumption from GPOs is reduced and air conditioning systems only operational when required.
- Single box solution — Provides an economical full energy management solution for hotel guest rooms and suites.



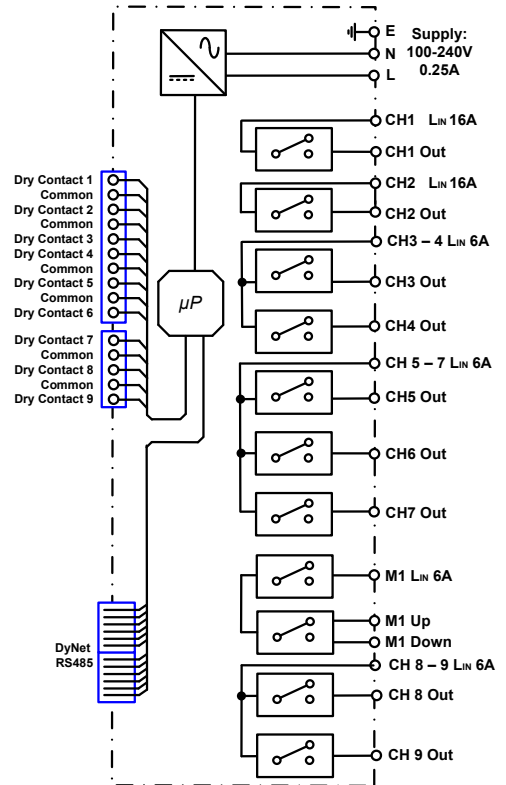
For detailed product information, please refer to the product information pages at [www.philips.com/dynalite](http://www.philips.com/dynalite) and follow the links.

## Specifications

Due to continuous improvements and innovations, specifications may change without notice.

Item	Specification	Details		
Electrical	Input Voltage	100 - 240 VAC 50 / 60 Hz Single Phase @ max 0.25 A		
	DyNet DC Supply	12VDC @ 100mA (supply for approx. 5 user interfaces)		
Electrical	Outputs	<p><b>Ch 1</b></p> <p>Switching, feed-through, 240 VAC 16 A resistive, 165 / 800A inrush rated (20mS / 200µS). Mechanical endurance: &gt;5 million cycles, Resistive Load: &gt;100,000 cycles, Load with high inrush: &gt; 25,000 cycles (UL508,TV8).</p> <p><b>Ch 2</b></p> <p>Switching, feed-through, 240 VAC 16 A resistive, TV8 type relay, 116 A inrush rated (20mS / 200µS). Mechanical endurance: &gt;10 million cycles, Resistive Load: &gt;50,000 cycles (UL508), Load with high inrush: &gt; 25,000 cycles (UL508, TV8). &gt;50,000 cycles (5 / 50 A) and &gt; 100,000 cycles (10 / 100 A) per EN61810-1Ed.2 and EN60255-25</p> <p><b>Ch 3-4</b></p> <p>Switching, common feed 6 A max, 240 VAC 8 A rated TV8 type relays, 118 A inrush rating</p> <p><b>Ch 5-7</b></p> <p>Switching, common feed 6 A max, 240 VAC 8 A rated TV8 type relays, 118 A inrush rating</p> <p><b>Ch 8</b></p> <p>Switching &amp; direction control, feed 6 A max or ELV supply, Cascaded single SPST 8 A TV-8 and SPDT 8 A TV-5 / TV-3 relays 240 VAC 8 A rated, 118 A inrush rating</p> <p><b>Ch 9-10</b></p> <p>Switching, common feed 6 A max or ELV/SELV supply*, 240 VAC 8 A rated TV8 type relays, 118 A inrush rating</p> <p><small>*note: subject to local wiring code, additional segregation may be required.</small></p> <p><b>Ch 3-11</b></p> <p>Mechanical endurance &gt; 1 million cycles, Resistive load: &gt;100,000 cycles, load with high inrush: &gt; 25,000 cycles (UL508,TV8)</p> <p><b>Maximum device load is 56 A</b></p>		
		Control Inputs/Outputs	One DMX512 / RS-485 DyNet serial port Nine preprogrammed dry contact input	
		User Controls	Service switch Diagnostic LED	
		Preset Scenes	170	
		Internal Controls	Inbuilt Programmable Logic Controller	
		Physical	Supply Terminals	Line, Neutral, Earth 2 x 2.5mm <sup>2</sup> or 1 x 4 mm <sup>2</sup> conductor size
			Output Terminals	2 x 2.5mm <sup>2</sup> or 1 x 4 mm <sup>2</sup> conductor size Ch 1 & 2: Line in, line out for each Ch group 3&4, 5,6&7, 10&11: Supply in, Ch out Ch 8: Supply in, motor up, motor down
			DyNet Termination	2 x RJ12 modular jacks
			Dry Contact Terminals	10 + 5 pole pluggable DC1-DC9 with shared COM, 1 x 1.5 mm <sup>2</sup> or 2 x 1 mm <sup>2</sup> max conductor size
			Dimensions (H x W x D)	94 mm x 211 mm x 75 mm (3.7" x 8.3" x 2.9")
Packed Weight	0.82 kg			
Construction	Polycarbonate DIN-rail enclosure (12 unit)			
Operating Conditions	Temperature: -0 to 40° C ambient Humidity: 0 to 95% non-condensing			
Storage & Transport	Temperature: -25 to 70° C ambient Humidity: 0 to 90% non-condensing			
Certification	Certification	CE, C-Tick		
Options & Ordering	Standard Product	DDRC-GRMS10 (Philips 12NC 913703051309)		

## Electrical Diagram



Philips Dyalite  
6 / 691 Gardeners Road  
Mascot, NSW 2020  
Australia  
Tel: +61 2 8338 9899  
Email: dyalite.info@philips.com  
Web: www.philips.com/dyalite



Specifications subject to change without notice. ©WMGD Pty Ltd Trading as Dyalite. Unit 6, 691 Gardeners Road Mascot 2020 Australia. ABN 33 097 246 921. All rights reserved. Dyalite, DyNet and associated logos are the registered trademarks of WMGD Pty Ltd. Not to be reproduced without permission.