

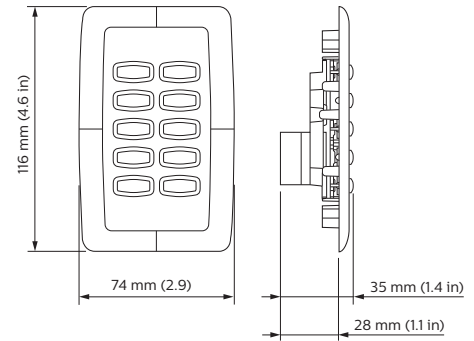
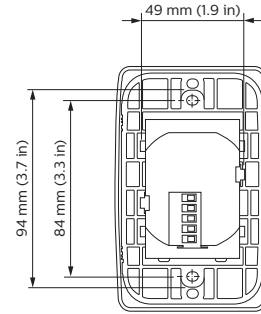


## DL2PA Standard Series User Interfaces

### Blending aesthetics and function

Anything but standard, the DL2PA range is beautifully formed and highly functional. Built with the full Philips Dynalite feature set, these simple yet elegant interfaces bring the full power of automation to the touch of a button. The DL2PA range features a slimline finish and is suitable for, but not limited to, North American, South American, Australian and New Zealand markets.

- Slimline finish — Ultra-thin profile provides a less intrusive alternative, where aesthetics are a key issue.
- Aesthetically pleasing — Provides an elegant point for integrated automation in commercial buildings and homes.
- Available in two configurations — Single column, for up to five buttons and a dual column design for up to ten buttons, where more complex control is required.
- Incorporates a miniature DyNet control network socket — Discreetly located under the snap-on cover, the network socket enables system adjustments and programming from any user interface on the network.
- Smooth action buttons with LED indicators — Provide tactile and visual feedback and are easily removed for engraving.
- Décor matching capability — Available in a range of fascia, bezel and button cap colors and finishes.



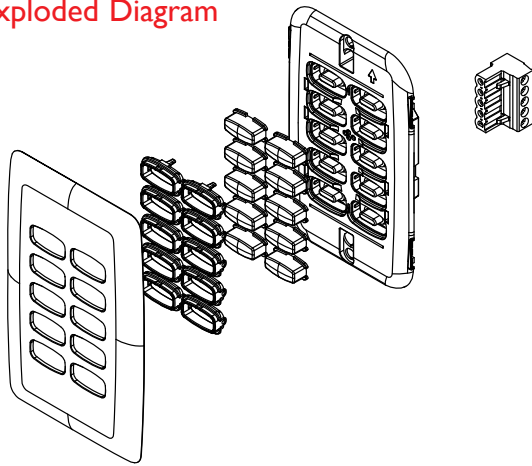
For detailed product information, please refer to the product information pages at [www.philips.com/lightingcontrolsna](http://www.philips.com/lightingcontrolsna).

## Specifications

Due to continuous improvements and innovations, specifications may change without notice.

Item	Specification	Details
Electrical	DyNet DC Supply	24V @20 mA / 12V @20-35 mA from the DyNet network
	Control Inputs	One RS-485 DyNet serial port 5-way removable screw terminals, 1 x 14 AWG or 2 x 18 AWG max. conductor size
Physical	Dimensions (H x W x D)	4.6" x 2.9" x 1.4" (116 mm x 74 mm x 35 mm)
	Packed Weight	0.5 lbs (0.2 kgs)
	Construction	Bezel, Key Carrier and Gridplate: Polycarbonate Cover: Various - contact your Philips representative for information
	Operating Conditions	Temperature: 32 to 122° F (-0 to 50° C) ambient Humidity: 10 to 95% non-condensing
	Storage & Transport	Temperature: -13 to 140° F (-25 to 60° C) ambient Humidity: 0 to 90% non-condensing
Certification	Compliance	FCC, RoHS Compliant
Options & Ordering	CAT5/CAT6 Wiring Adapter	RJ485ADAPT

## Exploded Diagram



## Ordering - Standard User Interfaces

Listed below are order codes for standard UI configurations. All are supplied with blue LED indicators, blank white buttons, white covers and button bezels.

Grid Plate	Order Code	Qty
1 button	DL2PA910	
2 button	DL2PA920	
5 button	DL2PA950	
6 button	DL2PA960	
7 button	DL2PA970	
10 button	DL2PA9100	

## Ordering - Covers & Button Caps

Grid Plate	Order Code	Qty
1 button cover	DL2PA-FC-01-WE	
2 button cover	DL2PA-FC-02-WE	
5 button cover	DL2PA-FC-05-WE	
6 button cover	DL2PA-FC-06-WE	
7 button cover	DL2PA-FC-07-WE	
10 button cover	DL2PA-FC-10-WE	
Cap - White	DLP-CAP-WE	
Bezel - White	DLP-BZ-WE	

## Custom Button Caps

The button shape offers a generous area for text or symbols, ensuring that the function of the button is clearly discernible from normal viewing distances. Over 19 standard button caps are available ex-stock. Contact your local Philips representative for details on custom engraving.

## Ordering - Standard Button Engraving Options

Engraving Detail	Order Code	Engraving Detail	Order Code	Engraving Detail	Order Code	Engraving Detail	Order Code
1	DLP-CAP-WE-1	6	DLP-CAP-WE-6	▲	DLP-CAP-WE-UP	ON/OFF	DLP-CAP-WE-ON/OFF
2	DLP-CAP-WE-2	7	DLP-CAP-WE-7	▼	DLP-CAP-WE-DOWN	HIGH	DLP-CAP-WE-HIGH
3	DLP-CAP-WE-3	8	DLP-CAP-WE-8	PROGRAM	DLP-CAP-WE-PROGRAM	MED	DLP-CAP-WE-MED
4	DLP-CAP-WE-4	9	DLP-CAP-WE-9	ON	DLP-CAP-WE-ON	LOW	DLP-CAP-WE-LOW
5	DLP-CAP-WE-5	10	DLP-CAP-WE-10	OFF	DLP-CAP-WE-OFF		

## Standard Layouts



**Philips Lighting North America**  
200 Franklin Square Dr  
Somerset, NJ, United States  
Tel: 1-800-526-2731  
Email: controls.support@philips.com  
Web: www.philips.com/lightingcontrolsna

**Philips Lighting Canada**  
281 Hillmount Road  
Markham, Ontario L6C 2S3  
Canada

Specifications subject to change without notice. ©WMGD Pty Ltd Trading as Dynalite. Unit 6, 691 Gardeners Road Mascot 2020 Australia. ABN 33 097 246 921. All rights reserved. Dynalite, DyNet and associated logos are the registered trademarks of WMGD Pty Ltd. Not to be reproduced without permission.