

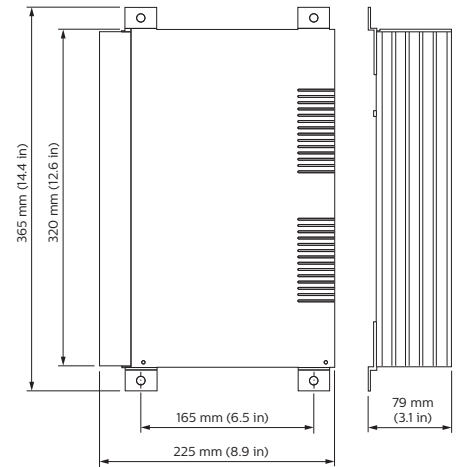


## DLE120-S Leading Edge Dimmer Controller

Designed for applications where lamp life is critical

The DLE120-S is a one channel leading edge dimmer controller, with a maximum load of 20A. It is suitable for use with incandescent, neon and selected fluorescent light sources, as well as iron core and leading edge dimmable electronic transformers.

- Large load capability — Complements multi-channel dimmers by providing an extra channel where additional capacity is required.
- Reliable control — Suitable for applications where lamp life is critical, such as where lamp replacement is difficult or expensive.
- Interference suppression — Iron powder core toroidal choke lessens effects of interference from other equipment, such as transformers.
- Naturally ventilated — Requires no forced cooling or maintenance.
- Soft start and voltage regulation technologies — Protects lamps from over voltage and dramatically improves lamp life, reducing maintenance costs.
- Diagnostic functionality — Device Online/Offline status reporting.
- User controls — Incorporates service override switch - all channels to 100% and a diagnostic LED.
- Option available — Includes an additional RS485 DyNet/DMX control port.



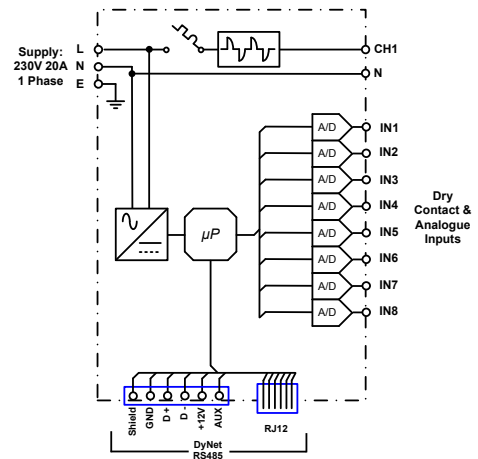
For detailed product information, please refer to the product information pages at [www.philips.com/dynalite](http://www.philips.com/dynalite) and follow the links.

## Specifications

Due to continuous improvements and innovations, specifications may change without notice.

Item	Specification	Details
Electrical	Input Voltage	230 VAC $\pm$ 14% 50 / 60 Hz Single Phase @ 20 A
	DyNet DC Supply	12 VDC @ 200 mA (supply for approx 10 user interfaces)
	Outputs	1 x dimmed output leading edge phase control @ 20 A
	Protection	No internal protection, supply from a 20A circuit breaker
	Regulating Device	Dual SCRs - 65 A nom., 800 V, 800 A surge
	Power Conditioning	Regulated outputs Over voltage protection Surge protection Brownout / Sag protection Spike protection Soft start 16 bit fade resolution (65,536 steps)
	Interference Suppression	Iron powder toroidal choke
	Rise Time	200 $\mu$ s @ 230 V
	Control	Control Inputs/Outputs
User Controls		Service override switch Diagnostic LED Hardware override switch on each channel
Preset Scenes		170
Diagnostic Functions		Device online/offline status
Physical	Supply Terminals	Line, Neutral 1 x 16 mm <sup>2</sup> max conductor size Earth Link bar provided
	Output Terminals	Line, Neutral for each channel 1 x 16 mm <sup>2</sup> max conductor size Earth Link bar provided
	Cable Entries	Mains - 3 x 25 mm dia. knockouts Data - 1 x 25 mm dia. knockout
	Cooling System	Naturally ventilated, no forced cooling, no maintenance
	Dimensions (H x W x D)	320 mm x 225 mm x 79 mm (12.6" x 8.9" x 3.1")
	Packed Weight	3.5 kg
	Construction	Alloy / Steel wall mount case with epoxy finish
	Operating Conditions	Temperature: -0 to 40° C ambient Humidity: 0 to 95% non-condensing
Certification	Certification	CE, C-Tick
	Options & Ordering	Standard Product DLE120-S (Philips 12NC - 913703001009) Extra DyNet / DMX512 Port DLE120-S-A (Philips 12NC - 913703001209)

## Electrical Diagram



Philips Dyalite  
6 / 691 Gardeners Road  
Mascot, NSW 2020  
Australia  
Tel: +61 2 8338 9899  
Email: dyalite.info@philips.com  
Web: www.philips.com/dyalite

Specifications subject to change without notice. ©WMGD Pty Ltd Trading as Dyalite. Unit 6, 691 Gardeners Road Mascot 2020 Australia. ABN 33 097 246 921. All rights reserved. Dyalite, DyNet and associated logos are the registered trademarks of WMGD Pty Ltd. Not to be reproduced without permission.