

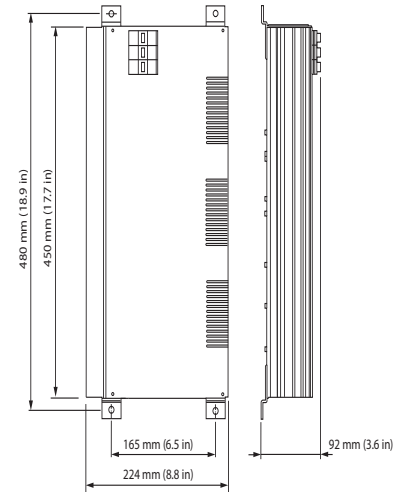


DLEI203 Leading Edge Dimmer Controller

Control lighting loads in residential applications

The DLEI203 is a 12 channel leading edge dimmer controller, with a maximum load of 3A per channel and a total device load of 32A. It is suitable for use with incandescent, neon and selected fluorescent lighting, as well as iron core and leading edge electronic transformers.

- Suited to small loads as found in residential settings — Performs powerful smart home control functions when combined with Philips Dynalite Systems Integrator; control security, HVAC, home theater, blinds and lighting.
- Interference suppression — Iron powder core toroidal choke lessens effects of interference from other equipment, such as transformers.
- Naturally ventilated — Requires no forced cooling or maintenance.
- Soft start and voltage regulation technologies — Protects lamps from over voltage and dramatically improves lamp life, reducing maintenance costs.
- Diagnostic functionality — Device Online/Offline status reporting.
- Options available — Including an additional RS485 DyNet/DMX512 port and circuit breaker trip reporting.



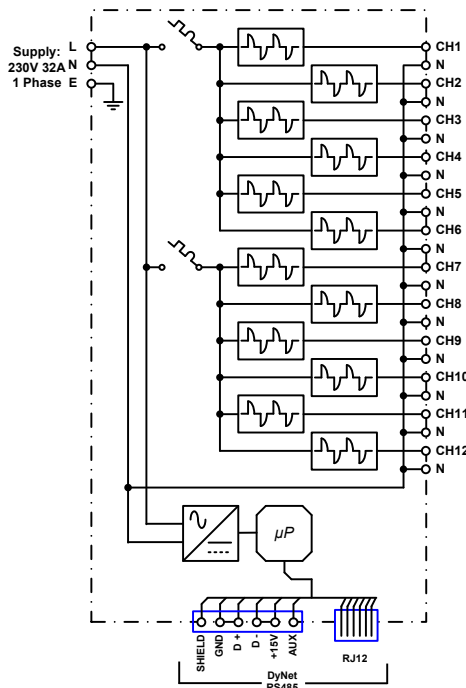
For detailed product information, please refer to the product information pages at www.philips.com/dynalite and follow the links.

Specifications

Due to continuous improvements and innovations, specifications may change without notice.

Item	Specification	Details
Electrical	Input Voltage	230 VAC ±14% 50 / 60 Hz Single Phase @ 32 A
	DyNet DC Supply	12 VDC @ 120 mA (supply for approx 6 user interfaces)
	Outputs	12 x dimmed outputs leading edge phase control @ 3 A Maximum device load is 32A
	Protection	2 x 16 A 6 kA single pole thermal magnetic circuit breakers
	Regulating Device	Triac - 40 A nom., 600 V, 400 A surge
	Power Conditioning	Regulated outputs Over voltage protection Surge protection Brownout / Sag protection Spike protection Soft start 16 bit fade resolution (65,536 steps)
	Interference Suppression	Iron powder toroidal choke
	Control	Control Inputs/Outputs
User Controls		Service switch Diagnostic LED
Preset Scenes		170
Diagnostic Functions		Device online/offline status
Physical	Supply Terminals	Line, Neutral 2 x 4 mm ² max conductor size
	Output Terminals	Line, Neutral for each channel 2 x 4 mm ² max conductor size Earth link bar provided
	Cable Entries	Mains - 1 x 75 mm x 53 mm removable gland plate Data - 1 x 25 mm dia. knockout
	Cooling System	Naturally ventilated, no forced cooling, no maintenance
	Dimensions (H x W x D)	450 mm x 224 mm x 92 mm (17.7" x 8.8" x 3.6")
	Packed Weight	6.0 kg
	Construction	Alloy / Steel wall mount case with epoxy finish
	Operating Conditions	Temperature: -0 to 40° C ambient Humidity: 0 to 95% non-condensing
Certification	Certification	CE, C-Tick
	Options & Ordering	Standard Product DLE1203 (Philips 12NC - 913703008009) Extra DyNet / DMX512 Port DLE1203-A (Philips 12NC - 913703008109) Neutral Disconnect DLE1203-ND (Philips 12NC - 913703008409)

Electrical Diagram



Philips Dynalite
6 / 691 Gardeners Road
Mascot, NSW 2020
Australia
Tel: +61 2 8338 9899
Email: dylalite.info@philips.com
Web: www.philips.com/dynalite

Specifications subject to change without notice. ©WMGD Pty Ltd Trading as Dynalite. Unit 6, 691 Gardeners Road Mascot 2020 Australia. ABN 33 097 246 921. All rights reserved. Dynalite, DyNet and associated logos are the registered trademarks of WMGD Pty Ltd. Not to be reproduced without permission.