

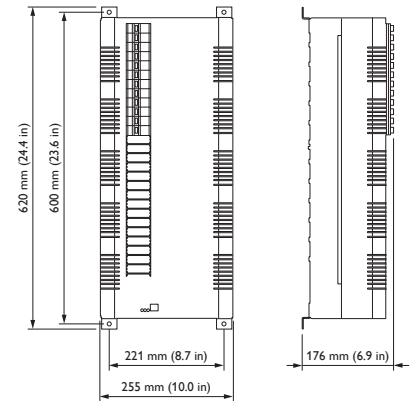


DLE1210GL Leading Edge Dimmer Controller

Control large loads in applications requiring reliability and large power handling

The DLE1210GL is a 12 channel leading edge dimmer controller, with a maximum load per channel of 10A and total device load of 75A. It is suitable for use with incandescent, neon and selected fluorescent light sources, as well as iron core and leading edge dimmable electronic transformers.

- Large load capability — Ideal for applications that require reliability combined with large power handling.
- DMX512 compatibility — Perfect for use in theaters, shopping centers and auditoria.
- Interference suppression — Iron powder core toroidal choke lessens effects of interference from other equipment, such as transformers.
- Naturally ventilated — Requires no forced cooling or maintenance.
- Soft start and voltage regulation technologies — Protects lamps from over voltage and dramatically improves lamp life, reducing maintenance costs.
- Diagnostic functionality — Device Online/Offline status reporting.
- User controls — Incorporates service override switch and three phase indicator LED. Hardware bypass switches are provided for each channel.
- Option available — Earth leakage and overload protection on each channel.



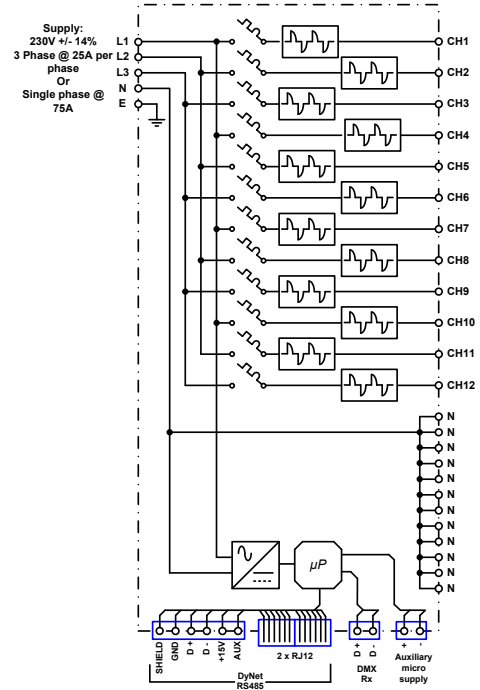
For detailed product information, please refer to the product information pages at www.philips.com/dynalite and follow the links.

Specifications

Due to continuous improvements and innovations, specifications may change without notice.

Item	Specification	Details
Electrical	Input Voltage	100 - 240 VAC 50 / 60 Hz 3 Phase Δ @ 25 A per phase or; 100 - 240 VAC 50 / 60 Hz Single Phase @ 75 A
	DyNet DC Supply	12 VDC @ 200 mA (supply for approx 10 user interfaces)
	Outputs	12 x dimmed outputs leading edge phase control @ 10 A. Total device load is 75 A
	Protection	12 x 10 A 6 kA single pole thermal magnetic circuit breakers
	Regulating Device	Triac - 40 A nom., 600V, 400 A surge
	Power Conditioning	Regulated outputs Over voltage protection Surge protection Brownout / Sag protection Spike protection Soft start 16 bit fade resolution (65,536 steps) Active phase angle firing compensation
	Interference Suppression	Iron powder toroidal choke
	Auxiliary Micro Supply	12V @ 1 A
	Rise Time	100 μ S @ 230V
	Control	Control Inputs/Outputs
User Controls		Service override switch Diagnostic LED 3 x Phase indicator LEDs Hardware bypass switches for each channel
Preset Scenes		170
Diagnostic Functions		Device online/offline status
Physical	Supply Terminals	L1, L2, L3 1 x 16 mm ² max conductor size
	Output Terminals	Line output for each channel 1 x 4 mm ² max conductor size Neutral Link bar provided Earth Link bar provided
	Cable Entries	Mains - 4 x 25 mm dia. knockouts mounted on 100 mm x 50 mm removable gland plate and 6 x 25 mm dia. knockouts on right side of enclosure Data - 1 x 25 mm dia. knockout
	Cooling System	Naturally ventilated, no forced cooling, no maintenance
	Dimensions (H x W x D)	620 mm x 255 mm x 176 mm (24.4" x 10.0" x 6.9")
	Packed Weight	18.0 kg
	Construction	Alloy / Steel wall mount case with epoxy finish
	Operating Conditions	Temperature: -0 to 40° C ambient Humidity: 0 to 95% non-condensing
Certification	Certification	CE, C-Tick
	Options & Ordering	Standard Product Earth leakage & overload protection on each channel
		DLE1210GL (Philips 12NC - 913703014009) DLE1210GL-RCBO (Philips 12NC - 913703014409)

Electrical Diagram



Philips Dynalite
6 / 691 Gardeners Road
Mascot, NSW 2020
Australia
Tel: +61 2 8338 9899
Email: dynalite.info@philips.com
Web: www.philips.com/dynalite

Specifications subject to change without notice. ©WMGD Pty Ltd Trading as Dynalite. Unit 6, 691 Gardeners Road Mascot 2020 Australia. ABN 33 097 246 921. All rights reserved. Dynalite, DyNet and associated logos are the registered trademarks of WMGD Pty Ltd. Not to be reproduced without permission.