

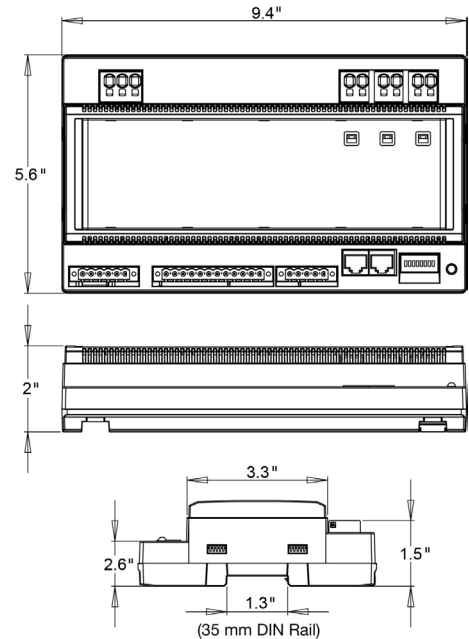


DMBC320-100ZT-NA 0-10V Controller

Cost-effective control of 0-10V electronic fixture drivers

The DMBC320-100ZT-NA features three 0-10V outputs with a current sinking/sourcing capacity of up to 100 mA.

- Innate energy savings — Control signals can be programmed to operate in tandem with three internal switched outputs, which will automatically isolate the power circuit when all associated channels are at 0%.
- Simple mounting — Mounts in a factory-supplied Type 1 enclosure.
- Dry contact inputs — Eight, Class 2, non-isolated dry contact inputs are provided for remote switches.
- Option available — A UL924 compliant load controller for the control of emergency lighting circuits is also available.



For detailed product information, please refer to the product information pages at www.philips.com/lightingcontrolsna.

Specifications

Due to continuous improvements and innovations, specifications may change without notice.

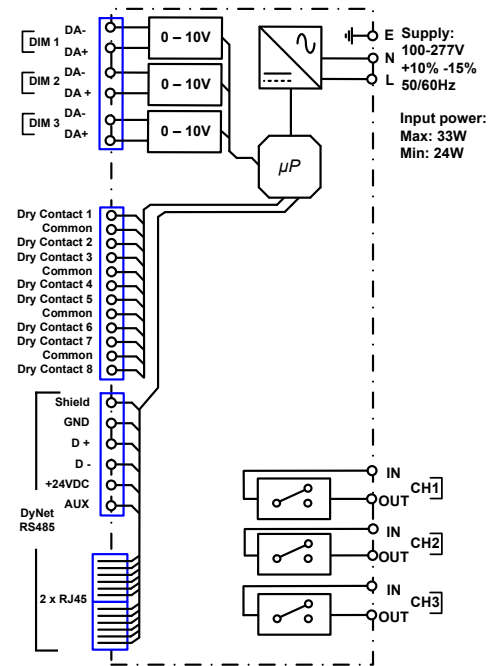
Item	Specification	Details
Electrical	Input Voltage	120 - 277 VAC (+10% / -15%), 50 / 60 Hz, Single Phase & Neutral Input power: Max 27 W nominal Input current: 120 VAC max. 0.31 A, 277 VAC max. 0.15 A
	DyNet DC Supply	24 VDC @ 500 mA
	Mains Outputs	3 x 16 A feed-through switched circuits for 0-10V driver mains supply Voltage rating: Channel-to-channel 480 VAC, Channel-LN-In to LN-Out: 277 VAC, 8 - 24 AWG Cu wire
	Control Outputs	3 x 0-10V Control Outputs, up to 100 mA sourcing /sinking current
	Relays	Latching type, lighting and resistive load rated
Control	Control Inputs	One RS-485 DyNet serial port Eight non-isolated dry contact inputs (10 VDC, 0.7 mA)
	User Controls	Service override switch Diagnostic LED Manual override switch for each relay
	Internal Controls	Programmable Logic Controller
	Preset Scenes	170
Physical	Supply Terminals	Line, Neutral, Ground, 8 - 24 AWG Cu wire
	Output Terminals	3 x 0-10V Control Outputs, 12 - 24 AWG Cu wire
	Dimensions (H x W x D)	5.6" x 9.4" x 2.0" (142 mm x 239 mm x 51 mm)
	Packed Weight	2.2 lbs (1.0 kg)
	Construction	Lexan 920, UL94-VO
Operating Conditions	Operating Conditions	Temperature: 32 to 104° F (0 to 40° C) ambient Humidity: 0 to 95% non-condensing
	Storage & Transport	Temperature: -13 to 140° F (-25 to 60° C) ambient Humidity: 0 to 90% non-condensing
Certification	Certification	UL/cUL Recognized, ICES, FCC, RoHS Compliant
Options & Ordering	Standard Product	DMBC320-100ZT-NA (Philips 12NC - 913703531209)
	UL924 Compliant CAT5/CAT6 Wiring Adapter	DMBC320-100ZT-EMG-NA (Philips 12 NC - 913703531309) DRJ485ADAPT

Load compatibility

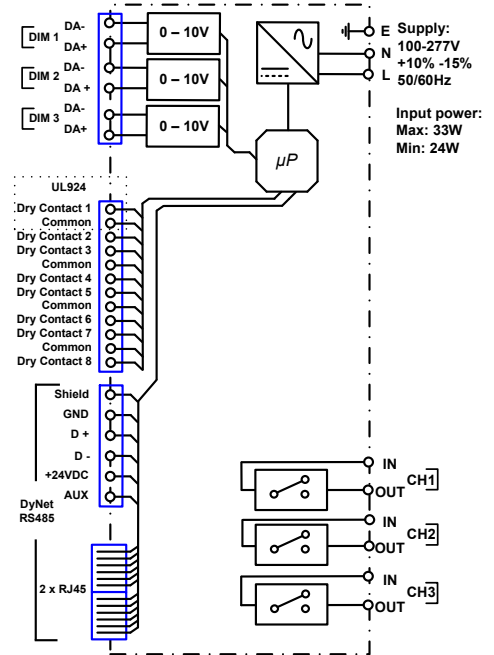
Load Type	Max Load
Electronic Driver	16 A, 120 VAC
Electronic Driver	16 A, 277 VAC



Electrical Diagram - DMBC320-100ZT-NA



Electrical Diagram - DMBC320-100ZT-EMG-NA



Philips Lighting North America
200 Franklin Square Dr
Somerset, NJ, United States
Tel: 1-800-526-2731
Email: controls.support@philips.com
Web: www.philips.com/lightingcontrolsna

Philips Lighting Canada
281 Hillmount Road
Markham, Ontario L6C 2S3
Canada

Specifications subject to change without notice. © WMGD Pty Ltd Trading as Dyalite. Unit 6, 691 Gardeners Road Mascot 2020 Australia. ABN 33 097 246 921. All rights reserved. Dyalite, DyNet and associated logos are the registered trademarks of WMGD Pty Ltd. Not to be reproduced without permission.