

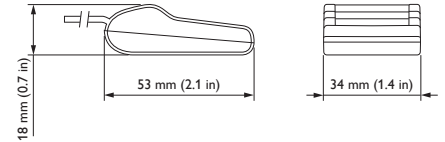
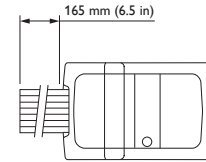


DPMI940-DALI Dry Contact Interface

Four-way dry contact DALI interface

The DPMI940-DALI is a four-channel input dry contact interface, designed to allow mechanical and electronic switches to interface directly with a DALI network and the Philips Dynalite system.

- Fully programmable — Each individual input is fully programmable by Envision software over the DALI network, allowing for multiple functions to be performed such as lighting scene select, room join or toggle lighting on/off.
- Powered from the DALI network — Eliminates the need for any additional network field wiring.
- Compact size — Inputs are presented on flyleads, making the device suitable for installation behind multi-gang switch grids.
- Simple dry contact interface — Can be used for low level integration to third-party systems such as security and air conditioning so that the lighting can be coordinated together with other services found within a project.



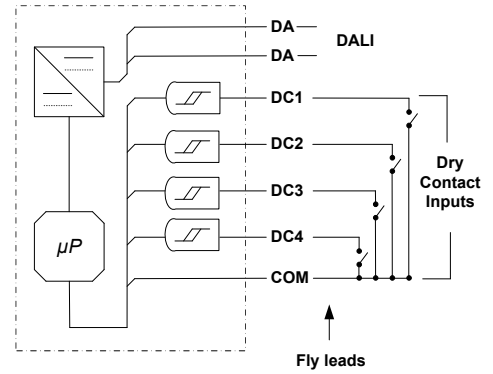
For detailed product information, please refer to the product information pages at www.philips.com/dynalite and follow the links.

Specifications

Due to continuous improvements and innovations, specifications may change without notice.

Item	Specification	Details
Electrical	Input Voltage	9.5 - 22.5V @ 9 mA max supplied by the DALI network
Control	Control Input/Output	One DALI
	Inputs	Four Dry Contact inputs
Physical	Dry Contact Flyleads	COM, SW1, SW2, SW3, SW4; flyleads 165 mm long with bootlace
	Dimensions (H x W x D)	Housing: 18 mm x 34 mm x 53 mm (0.7" x 1.4" x 2.1") Flyleads: 165 mm (6.5") long with bootlace
	Packed Weight	50 g
	Construction	ABS housing
	Operating Conditions	Temperature: 0 to 50° C ambient Humidity: 0 to 90% non-condensing
	Storage & Transport	Temperature: -25 to 60° C ambient Humidity: 0 to 90% non-condensing
Certification	Certification	CE, C-Tick
Options & Ordering	Standard Product	DPMI940-DALI (Philips 12NC - 913703080609)

Electrical Diagram



Philips Dyalite
6 / 691 Gardeners Road
Mascot, NSW 2020
Australia
Tel: +61 2 8338 9899
Email: dynalite.info@philips.com
Web: www.philips.com/dynalite

Specifications subject to change without notice. ©WMGD Pty Ltd Trading as Dyalite. Unit 6, 691 Gardeners Road Mascot 2020 Australia. ABN 33 097 246 921. All rights reserved. Dyalite, DyNet and associated logos are the registered trademarks of WMGD Pty Ltd. Not to be reproduced without permission.