

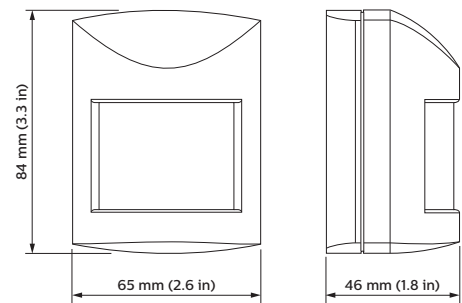
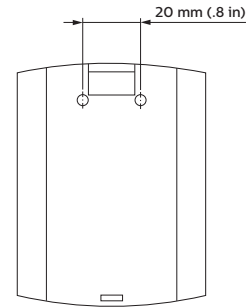


DUS704W-NA Universal Sensor

Combination PIR and IR sensing

The DUS704W-NA is a wall mountable 90 degree universal sensor that combines motion detection (PIR) and infrared remote control reception (IR) into one device in applications such as offices, lecture theaters and homes.

- Motion detection feature — Detects the presence or absence of motion and adjusts lights accordingly.
- Infrared receive capability — Manually adjust light levels using a hand-held remote control, via the inbuilt IR receive sensor of the DUS704W-NA.



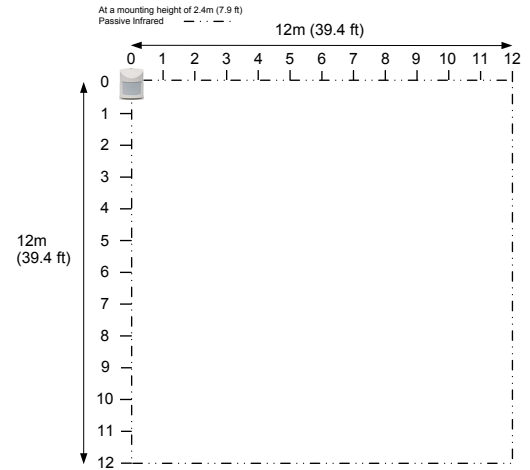
For detailed product information, please refer to the product information pages at www.philips.com/lightingcontrolsna.

Specifications

Due to continuous improvements and innovations, specifications may change without notice.

Item	Specification	Details
Hardware	Motion Detector	Wide Angle Wall Mount PIR Detector Range 39' x 90° (standard lens) Mounting height: 3.6' to 10.1' LED activation indicator Adjustable Pulse Count & Sensitivity Detection zones: 20 dual element zones Sensor: Dual element pyroelectric RFI Immunity: >15 V/m @ 10-1000 MHz Optional Lense: 98' x 30° Long Range
	Infrared Remote Control Receiver	Range >19.7' LED activation indicator Can be used with DTK500 series infrared remotes or other learning IR remote control
	Terminals	5 way terminal strip, 1 x 14 AWG or 2 x 18 AWG max conductor size
	Controls	Walk test/IR received LED indicator Tamper switch
Network	Control Inputs/Outputs	One RS-485 DyNet serial port
	DyNet DC Load	10 mA max @ 24VDC
	Configurations	All functions remotely programmable
Physical	Dimensions (H x W x D)	3.3" x 2.6" x 1.8" (84 mm x 65 mm x 46 mm)
	Packed Weight	0.3 lb (0.116 kg)
	Construction	ABS plastic enclosure
	Operating Conditions	Temperature: 32 to 113° F (0 to 45° C) ambient Humidity: 10 to 90% non-condensing
	Storage & Transport	Temperature: -13 to 140° F (-25 to 60° C) ambient Humidity: 0 to 90% non-condensing
Certification	Certification	FCC, ICES, RoHS Compliant
Options & Ordering	Wall mount wide angle Wall mount long range lens option CAT5/CAT6 Wiring Adapter	DUS704W-NA (Philips 12NC - 913703570009) DUS704W-LR-NA (Philips 12NC - 913703070509) DRJ45DAPT

Lens Pattern - DUS704W-NA



Philips Lighting North America
200 Franklin Square Dr
Somerset, NJ, United States
Tel: 1-800-526-2731
Email: controls.support@philips.com
Web: www.philips.com/lightingcontrolsna

Philips Lighting Canada
281 Hillmount Road
Markham, Ontario L6C 2S3
Canada

Specifications subject to change without notice. ©WMGD Pty Ltd Trading as Dyalite. Unit 6, 691 Gardeners Road Mascot 2020 Australia. ABN 33 097 246 921. All rights reserved. Dyalite, DyNet and associated logos are the registered trademarks of WMGD Pty Ltd. Not to be reproduced without permission.