

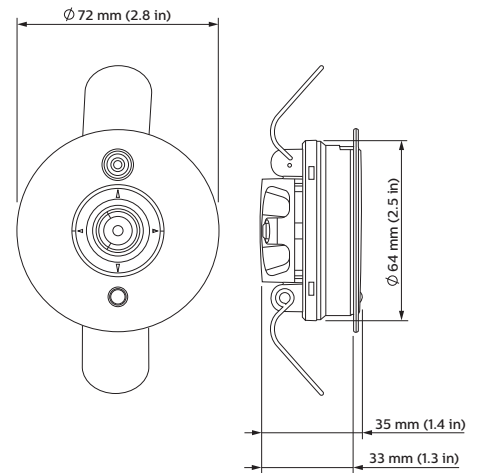


DUS804C-RJ-DA EcoSet Motion Sensor

EcoSet ceiling mount motion sensor

The DUS804C-RJ-DA is a recess mountable 360 degree motion sensor that combines motion detection (PIR), Infrared remote control reception (IR) and ambient light level detection (PE) into the one device. The EcoSet DUS804-RJ-DA is a component of the EcoSet system and is a switch-settable sensor with time-out, designed to allow intelligent control of luminaires in combination with the EcoSet DMRC210-RJ-DA relay controller.

- Low profile design — Flush-mounted 360 degree ceiling-mount motion detection (PIR) sensor.
- No software set-up — All functionality can be achieved with the built-in dipswitches for area addressing, no-motion time-out and other advanced features.
- Rapid configuration — Up to 31 individual addressing areas of control.
- User-selectable options — No-motion time-out selectable to 30 seconds, 5 minutes, 15 minutes or 30 minutes.
- Corridor hold — Links corridor areas with adjacent rooms so they remain lit while occupancy is detected.



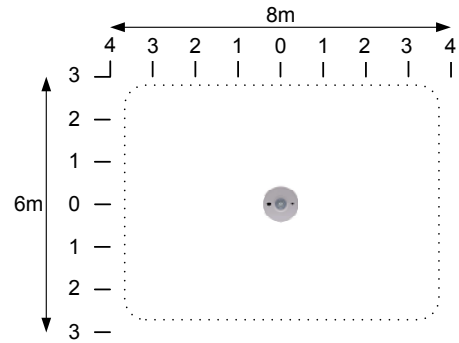
For detailed product information, please refer to the product information pages at www.philips.com/dynalite and follow the links.

Specifications

Due to continuous improvements and innovations, specifications may change without notice.

Item	Specification	Details
Hardware	Motion Detector	DUS804C Standard Sensitivity Maximum detection range: 5 m Detection area: 7.4 m to 5.6 m rectangular (at a height of 2.5 m) Detection speed: 1.0 m/s Detection object: 700 mm x 250 mm Detection zones: 64 LED activation indicator Sensor: Quad element pyroelectric
	Terminals	2 x RJ12 network sockets
	Controls	Walk test/IR received LED indicator Service switch
Network	Control Inputs/Outputs	One RS-485 DyNet serial port
	DyNet DC Load	20 mA
	Configurations	All functions set by accessible dipswitches
Physical	Dimensions (H x W x D)	72 mm dia. x 35 mm (2.8" x 1.4")
	Packed Weight	0.116 kg
	Construction	ABS plastic enclosure
	Operating Conditions	Temperature: -0 to 45° C ambient Humidity: 10 to 90% non-condensing
	Storage & Transport	Temperature: -25 to 60° C ambient Humidity: 0 to 90% non-condensing
Certification	Certification	CE, C-Tick
Options & Ordering	Standard product	DUS804C-RJ-DA (Philips 12NC - 913703071409)

Lens Pattern



Philips Dyalite
 6 / 691 Gardeners Road
 Mascot, NSW 2020
 Australia
 Tel: +61 2 8338 9899
 Email: dyalite.info@philips.com
 Web: www.philips.com/dyalite

Specifications subject to change without notice. ©WMGD Pty Ltd Trading as Dyalite. Unit 6, 691 Gardeners Road Mascot 2020 Australia. ABN 33 097 246 921. All rights reserved. Dyalite, DyNet and associated logos are the registered trademarks of WMGD Pty Ltd. Not to be reproduced without permission.