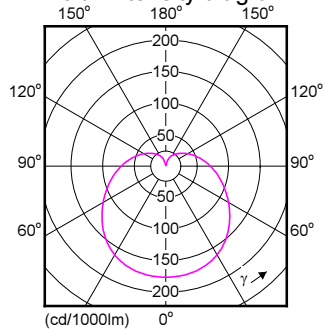


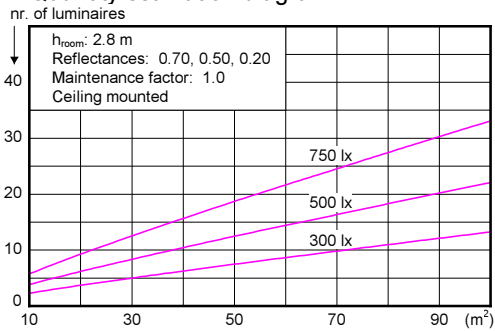
**LED Bulb 23-200W E27 6500K W A110**

1 x 3000 lm

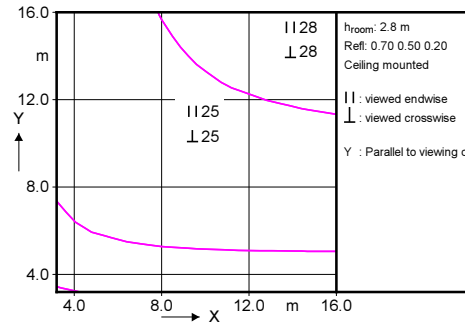
**Polar intensity diagram**



**Quantity estimation diagram**



**UGR diagram**



Light output ratio 0.99  
 Service upward 0.25  
 Service downward 0.74  
 CIE flux code 34 62 83 75 99  
 UGRcen (4Hx8H, 0.25H) 25

**Utilisation factor table**

Room Index k	Reflectances (%) for ceiling, walls and working plane (CIE)											
	0.80	0.80	0.70	0.70	0.70	0.70	0.50	0.50	0.30	0.30	0.00	0.00
0.50	0.50	0.50	0.50	0.50	0.30	0.30	0.10	0.10	0.00	0.00	0.00	0.00
0.30	0.10	0.30	0.20	0.10	0.10	0.10	0.10	0.10	0.10	0.10	0.00	0.00
0.60	0.39	0.37	0.37	0.36	0.35	0.28	0.26	0.21	0.24	0.20	0.16	0.16
0.80	0.48	0.45	0.46	0.45	0.43	0.36	0.33	0.28	0.30	0.26	0.21	0.21
1.00	0.56	0.52	0.53	0.51	0.50	0.42	0.39	0.34	0.36	0.31	0.26	0.26
1.25	0.64	0.59	0.60	0.58	0.56	0.48	0.45	0.39	0.41	0.36	0.31	0.31
1.50	0.70	0.63	0.66	0.63	0.61	0.53	0.49	0.44	0.45	0.41	0.35	0.35
2.00	0.79	0.71	0.75	0.71	0.68	0.61	0.56	0.52	0.52	0.48	0.41	0.41
2.50	0.86	0.76	0.81	0.76	0.72	0.66	0.61	0.57	0.56	0.53	0.45	0.45
3.00	0.90	0.79	0.85	0.80	0.76	0.70	0.65	0.61	0.59	0.56	0.48	0.48
4.00	0.97	0.84	0.91	0.85	0.80	0.76	0.70	0.66	0.64	0.61	0.53	0.53
5.00	1.01	0.87	0.95	0.88	0.83	0.79	0.73	0.70	0.67	0.64	0.56	0.56

Ceiling mounted

**Luminance Table**

Plane Cone	0.0	15.0	30.0	45.0	60.0	75.0	90.0
45.0	10821	10821	10821	10821	10821	10821	10821
50.0	10357	10357	10357	10357	10357	10357	10357
55.0	9951	9951	9951	9951	9951	9951	9951
60.0	9601	9601	9601	9601	9601	9601	9601
65.0	9331	9331	9331	9331	9331	9331	9331
70.0	9148	9148	9148	9148	9148	9148	9148
75.0	9055	9055	9055	9055	9055	9055	9055
80.0	9054	9054	9054	9054	9054	9054	9054
85.0	9172	9172	9172	9172	9172	9172	9172
90.0	9450	9450	9450	9450	9450	9450	9450

(cd/m<sup>2</sup>)

SL22474

2016-05-13