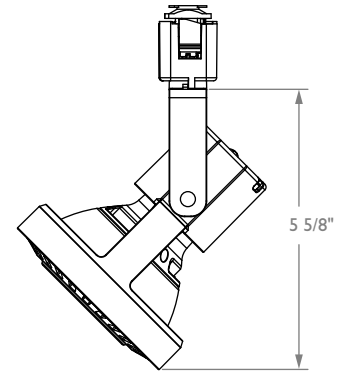


# A gimbal ring with a clean design for a close fit

## 9030N LYTESPAN GIMBAL RING PAR30 TRACK LUMINAIRE



### PHILIPS LIGHTOLIER LYTESPAN GIMBAL RING PAR30 TRACK LUMINAIRE

The Philips Lightolier Lytespan Gimbal Ring PAR30 Track Luminaire offers a minimal form specifically designed to create a close fit with LED lamps, with cleanly miniaturized detailed yoke and ring-shaped lampholder. Front re-lamping for easy maintenance. Unit adjusts horizontally up to 350°, vertically up to 90°.

Project: \_\_\_\_\_  
 Location: \_\_\_\_\_  
 Catalog No: \_\_\_\_\_  
 Fixture Type: \_\_\_\_\_  
 Mfg: \_\_\_\_\_ Lamps: \_\_\_\_\_ Qty: \_\_\_\_\_  
 Notes: \_\_\_\_\_

### Ordering guide

example with lamp: 9030NLRNFWH  
 example without lamp: 9030NWH

Catalog No.	Lamping	Optics	Finish
<input type="text"/>	<input type="text"/>	<input type="text"/>	<input type="text"/>
<b>9030N</b> PAR30 gimbal ring	<b>Blank</b> No lamp included <b>LR</b> Philips LED 12W PAR30 retail lamp	<b>Blank</b> No lamp included <b>NF</b> Narrow Flood (lamp available in black or white) <b>F</b> Flood (lamp only available in white)	<b>WH</b> Matte White <b>BK*</b> Matte Black <b>AL</b> Aluminum

Lamping: 75W PAR30 maximum. Philips LED 12W PAR30 included if LR specified. Go to [www.philips.com/airflux](http://www.philips.com/airflux) for specs and information.

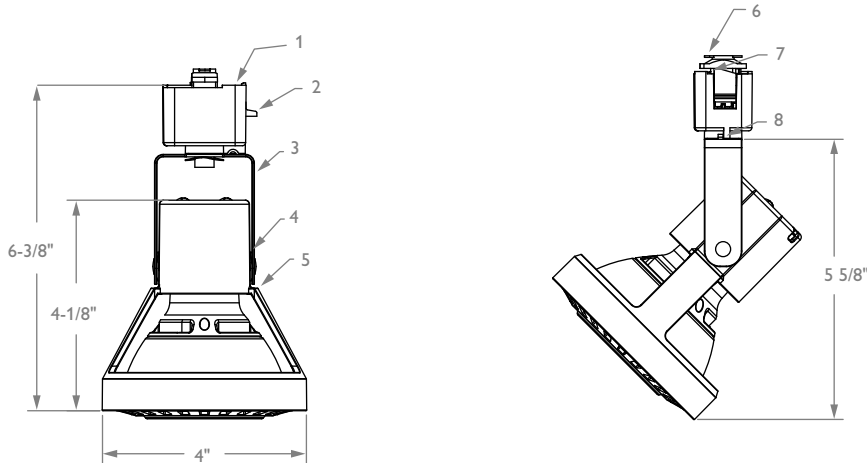
Track: Mounting compatible with all Philips Lytespan Track Systems.

\* Black LED lamp only available in Narrow Flood (NF) option.

# 9030N

## LYTESPAN GIMBAL RING PAR30 TRACK LUMINAIRE

### Dimensions



### Descriptions

Minimal form specifically designed to create close fit with LED lamps, with cleanly miniaturized detailed yoke and ring-shaped lampholder. Front re-lamping for easy maintenance. Unit adjusts horizontally up to 350°, vertically up to 90°.

### Features

- 1 Lytespan attachment fitting:** molded polycarbonate integral color fitter twists onto track and locks on.
- 2 Push tab:** molded polycarbonate, detaches unit
- 3 Yoke:** 3/4" x .05" steel
- 4 Tension spring washer**
- 5 Ring and socket cup:** molded polycarbonate
- 6 Moveable brass contact:** extends connection to 2nd circuit in Advent Lytespan Track
- 7 Polarity Keyway**
- 8 Pivot Mounting:** tensioned 350° stop

### Finish

Black and white finished in molded PMMA.  
Aluminum finish in wet paint.

### Material

PMMA material to allow scratch free finish, more precise sizing to fit lamps, and miniaturized design.

### Electrical

Porcelain socket, medium base, nickel-plated screw shell, no. 18 braided SF-1 leads with silicon sleeving.

### Labels

cULus

### Leadtime

All items are service smart (48 hrs from order entry).



© 2014 Koninklijke Philips N.V. All rights reserved.  
Specifications are subject to change without notice.  
[www.philips.com/luminaires](http://www.philips.com/luminaires)

9030N 02/14 page 2 of 2

Philips Lighting  
North America Corporation  
200 Franklin Square Drive  
Somerset, NJ 08873  
Phone: 855-486-2216

Philips Lighting Company  
281 Hillmount Road  
Markham ON, Canada L6C 2S3  
Phone: 800-668-9008