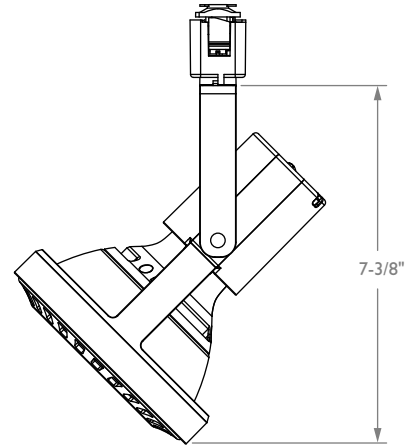


A gimbals ring with a clean design for a close fit

9038N LYTESPAN GIMBAL RING PAR38 TRACK LUMINAIRE



PHILIPS LIGHTOLIER LYTESPAN GIMBAL RING PAR38 TRACK LUMINAIRE

The Philips Lightolier Lytespan Gimbal Ring PAR38 Track Luminaire offers a minimal form specifically designed to create a close fit with LED lamps, with cleanly miniaturized detailed yoke and ring-shaped lampholder. Front re-lamping for easy maintenance. Unit adjusts horizontally up to 350°, vertically up to 90°.

Project: _____
 Location: _____
 Catalog No: _____
 Fixture Type: _____
 Mfg: _____ Lamps: _____ Qty: _____
 Notes: _____

Ordering guide

example with lamp: 9038NLRNFWH
 example without lamp: 9038NWH

Catalog No.	Lamping	Optics	Finish
<input type="text"/>	<input type="text"/>	<input type="text"/>	<input type="text"/>
9038N PAR38 gimbal ring	Blank No lamp included LR Philips LED 19W PAR38 retail lamp	Blank No lamp included NF Narrow Flood F Flood (only available in WH finish)	WH Matte White BK* Matte Black AL Aluminum

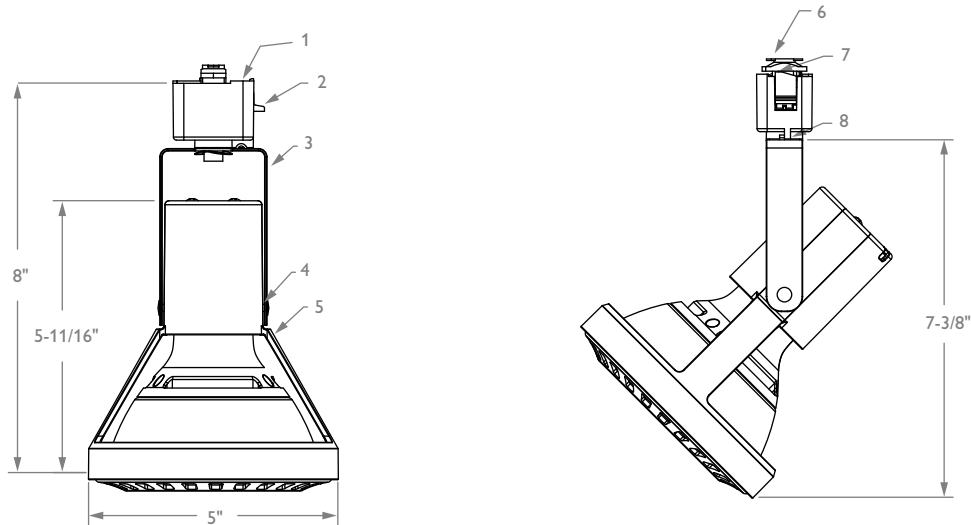
Lamping: 120W PAR38 maximum. Philips LED 19W PAR38 included if LR specified. Go to www.philips.com/airflux for specs and information.

Track: Mounting compatible with all Lytespan Track Systems.

* Black LED lamp only available in Narrow Flood (NF) option.

9038N LYTESPAN GIMBAL RING PAR38 TRACK LUMINAIRE

Dimensions



Descriptions

Minimal form specifically designed to create close fit with LED lamps, with cleanly miniaturized detailed yoke and ring-shaped lampholder. Front re-lamping for easy maintenance. Unit adjusts horizontally up to 350°, vertically up to 90°.

Features

- 1 Lytespan attachment fitting:** molded polycarbonate integral color fitter twists onto track and locks on.
- 2 Push tab:** molded polycarbonate, detaches unit
- 3 Yoke:** 3/4" x .05" steel
- 4 Tension spring washer**
- 5 Ring and socket cup:** molded polycarbonate
- 6 Moveable brass contact:** extends connection to 2nd circuit in Advent Lytespan Track
- 7 Polarity Keyway**
- 8 Pivot Mounting:** tensioned 350° stop

Finish

Black and white finished in molded PMMA.
Aluminum finish in wet paint.

Material

PMMA material to allow scratch free finish, more precise sizing to fit lamps, and miniaturized design.

Electrical

Porcelain socket, medium base, nickel-plated screw shell, no. 18 braided SF-1 leads with silicon sleeving.

Labels

cULus

Leadtime

All items are service smart (48 hrs from order entry).



© 2014 Koninklijke Philips N.V. All rights reserved.
Specifications are subject to change without notice.
www.philips.com/luminaires

9038N 02/14 page 2 of 2

Philips Lighting
North America Corporation
200 Franklin Square Drive
Somerset, NJ 08873
Phone: 855-486-2216

Philips Lighting Company
281 Hillmount Road
Markham ON, Canada L6C 2S3
Phone: 800-668-9008