

**PHILIPS**  
**Day-Brite**  
**CFI**

Industrial

Vaporlume LED DW



# Rugged, efficient, and improved

Vaporlume LED Industrial DW is a specialized wet location, IP rated product designed for use in both indoor and outdoor environments. It is a wet location listed, non-corrosive luminaire available in both fluorescent and LED light sources.

## Features

- Industry leading efficacy up to 121lm/W
- 8' tandem units available to reduce installation costs and enhance TCO.
- Wide optic (WHP) is ideal for parking garages and applicable to significant utility rebates.
- Acrylic diffused lens (L) available to further reduce LED pixilated glare and enhance visual comfort. Results in 3-5% decrease in luminous output.
- 7000lm high lumen package equivalent to 2x54W T5HO at room temperature.
- Vaporlume LED is an ideal choice over fluorescent providing instant on full brightness even in cold temperature applications

## Benefits

- Non-Corrosive Housing
- IP rated
- NSF listed
- DesignLights Consortium listed

## Applications

- Food Handling Facilities
- Cold Storage
- Industrial
- Parking Garages
- Canopy
- Mass Transit Terminals

# DW Vaporlume LED

## Ordering guide

Example: DWAE51L840-4-UNV-MD360W

| Family  | Listing                    | Lens   | Hubs Installed             | Source <sup>7</sup>   | Color   | Length <sup>5</sup>                       | Voltage   | Dimming  | Options  |
|---|----------------------------|--|----------------------------|---|---|---|---|--|--|
| <input type="checkbox"/> D                        | <input type="checkbox"/> W | <input type="checkbox"/>   | <input type="checkbox"/> E | <input type="checkbox"/>  | <input type="checkbox"/>  | <input type="checkbox"/>                  | <input type="checkbox"/> –  | <input type="checkbox"/> –   | <input type="checkbox"/>   |
| <b>D</b> Fiberglass<br>Wet Location<br>Industrial | <b>W</b> Wet<br>Location   | <b>A</b> DR Acrylic<br><b>P</b> Polycarbonate<br><b>L</b> <sup>6</sup> Enhanced LED<br>Acrylic | <b>E</b> Ends only         | <b>27L</b> 2700<br>nominal<br>lumens<br><b>35L</b> 3500<br>nominal<br>lumens<br><b>43L</b> 4300<br>nominal<br>lumens<br><b>51L</b> <sup>4</sup> 5100<br>nominal<br>lumens<br>(25°C<br>ambient)<br><b>51LH</b> <sup>4</sup> 5100<br>nominal<br>lumens<br>(-35°C to<br>40°C)<br><b>70L</b> <sup>4</sup> 7000<br>nominal<br>lumens | <b>850</b> 80 CRI,<br>5000K<br><b>840</b> 80 CRI,<br>4000K<br><b>835</b> 80 CRI,<br>3500K | <b>2</b> 2'<br><b>4</b> 4'<br><b>8</b> 8' | <b>UNV</b> Universal<br>Voltage,<br>120-277<br>volt<br><b>347</b> <sup>1</sup> 347 volt | <b>blank</b> 0-10v<br><b>SDIM</b> <sup>3</sup> 100/40<br>step<br>dim | <b>MD360W</b> Wet location<br>occupancy<br>sensor, external<br><b>WHP</b> Wide Beam Optic<br><b>EMLED</b> <sup>2</sup> Integral<br>Emergency<br><b>IP67</b> Protection<br>against effect of<br>immersion |

1 All 347V models available only for (-20°C to 25°C) ambient. 347V not available for use with 51LH or SDIM options.

2 EMLED option not available with 347V or 2' options.

3 Step dim (SDIM) not available with 51LH or 2' options.

4 Nominal lumen option codes are for 4' fixture. Double for 8' tandem.

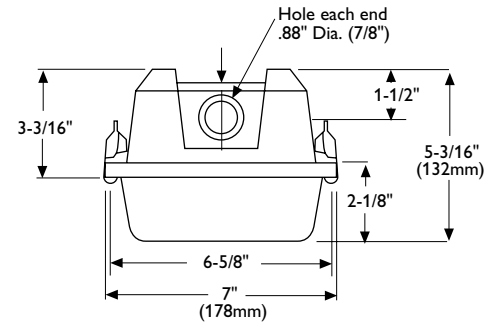
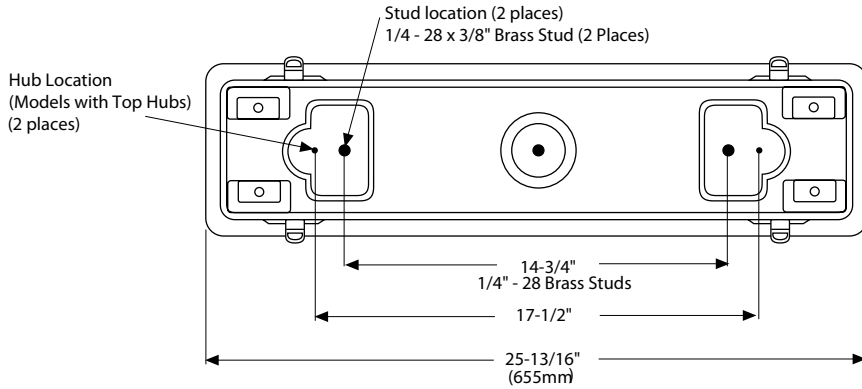
5 2' available with 27L only. 4' available with 35L, 43L, 51L, 51LH, and 70L. 8' available with 51L, 51LH, and 70L.

6 Available on 4' and 8' only.

7 Nominal lumen option codes are for 4' fixture. Double for 8' tandem.

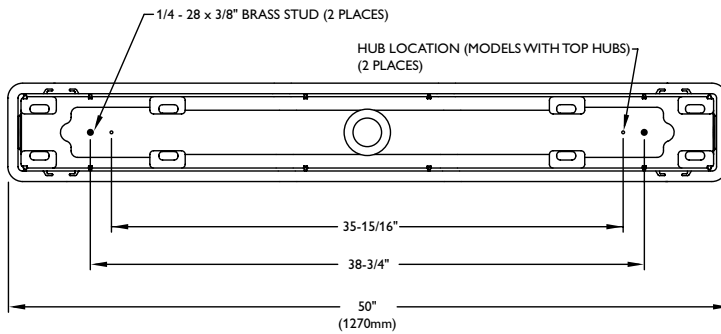
# DW Vaporlume LED

## Dimensions – 2'

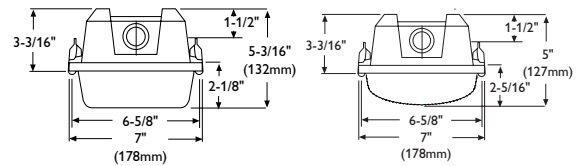


Shallow acrylic (A)  
lens shown

## Dimensions – 4'



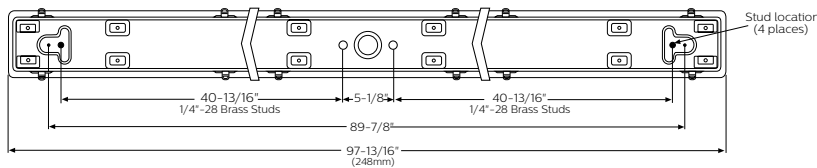
## Dimensions, Side Profile – 4' and 8'



Shallow acrylic (A) and polycarbonate (P) lens  
(8' P lens is 3" deep, 6 1/16" overall)

Enhanced LED acrylic lens (L)

## Dimensions – 8'



## Accessories (order separately)

- TBK – Stainless Steel Top Bracket Kit (pair of brackets plus hardware)
- EBK – Stainless Steel End Bracket Kit (pair of brackets plus hardware)
- WBK – Stainless Steel Wraparound Bracket Kit (pair of brackets)
- FKR-126 – Chain Hanger Set (requires TBK)

# DW Vaporlume LED

---



---

© 2014 Koninklijke Philips N.V. All rights reserved.  
Philips reserves the right to make changes in specifications and/or to discontinue any product at any time without notice or obligation and will not be liable for any consequences resulting from the use of this publication.

PDb-1408 BN 12/14 [philips.com/luminaires](http://philips.com/luminaires)



Philips Lighting, North America Corporation  
200 Franklin Square Drive, Somerset, NJ 08873  
Tel. 855-486-2216

Imported by: Philips Lighting,  
A division of Philips Electronics Ltd.  
281 Hillmount Rd, Markham, ON, Canada L6C 2S3  
Tel. 800-668-9008