

# Philips Advance Titanium LED Driver

## PHILIPS ADVANCE XITANIUM LED DRIVER SPEC SHEET



XITANIUM 75W 1.05A 0-10V HCN-F  
XH075C105V070CNF1

### Features

- High drive current
- Isolated 0-10V dimming
- New housing with increased thermal capability

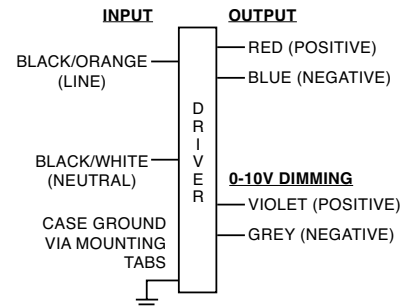
### Benefits

- Enables higher lumen per dollar fixture designs
- Helps to maximize energy savings and allows application specific light levels
- Allows luminaire designs for use in higher ambient environments

### Dimensions

	in.	mm
Case Length	8.3	211.0
Case Width	2.3	58.6
Case Height	1.48	37.6
Mounting Length	8.84	224.6
Overall Length	9.47	240.5

### Wire Diagram



### Product Data

Input and output use lead-wires.

Lead-wires are 18AWG 105C/600V solid copper per UL1452.

Lead Length outside enclosure: 270mm (±30mm) on Input &

Output wires, 220mm (±30mm) on dimming wires.

Dimming	Dimming Range	Minimum Output Current (A)	Other Comments
0-10V Analog Class 1 and 2 Wiring	10% ~ 100%	0.105	Dimming source current: 150 $\mu$ A

Input Voltage (Vac)	Output Power (W)	Output Voltage Range (V)	Output Current (A)	Efficiency@ Max Load and 70°C Case	Max Case Temp. (°C)	Input Current (Arms)	Max. Input Power (W)	Inrush Current (Apk/ 50%- $\mu$ s)	THD @ Max Load (%)	Power Factor @ Max Load	Surge Protection Common/ Diff (KV)	Weight (Lbs/ kgs)	Envir. Protection Rating
347	75	24 - 71	1.05	88	80°C	0.25	87	52 / 110	<10%	>0.95	4/4	2.1/0.95	UL damp and dry
480				89		0.19		73 / 120	<15%				



# PHILIPS ADVANCE

## XITANIUM LED DRIVER

### SPEC SHEET

#### Electrical Specifications

All the specifications are typical and at 25°C Tcase unless specified otherwise.

<b>Ordering Information</b>	
Order code	XH075C105V070CNF1
Full product code	XH075C105V070CNF1M (Mid-Pack, 10pcs/Box)
Full product name	XITANIUM 75W 1.05A 0-10V HCN-F
<b>Input Information</b>	
Line Voltage	347-480Vac_rms
Line Current	0.25A @ 347V, 0.19A @ 480V
Line Frequency	50/60Hz
Min. Mains voltage operational	312 V [min]
Max. Mains voltage operational	528V [max]
THD (total)	Refer to graph
Power Factor (PF)	Refer to graph
Inrush Current	Per NEMA 410
Lightning Surge Protection	Refer to table below
<b>Output Information</b>	
Output voltage range	24V to 71Vdc
Maximum open circuit voltage	82V
Output Current Ripple (ripple = peak to average / average)	15% max @ max lout Low frequency ( $\leq 120$ Hz) content <5%
Protections	Short Circuit and Open Circuit Protection for LED + and LED-
Ambient Temp Range	-40°C to +55°C
Max Case Temperature (Tcase)	80°C
<b>Features</b>	
Interfaces	0-10V Dimming
AOC (Adjustable Output Current)	N/A
MTP (Module Temperature Protection)	N/A
0-10V Dimming Specifications	150 $\mu$ A source current from driver, See dim curve for detail.
<b>Environment &amp; Approbation</b>	
Environmental Protection Rating	UL damp and dry
Agency Approbations	UL879, ULI012, UL935, (cRUs/CSA)
Electromagnetic Compliance	FCC Title 47 Part 15 Class A
Isolation	Refer to table
Audible noise	<24dB Class A

# PHILIPS ADVANCE XITANIUM LED DRIVER SPEC SHEET

## Electrical Specifications

All the specifications are typical and at 25°C Tcase unless specified otherwise.

### 0-10V Dimming Curve:

Dimming source current from the driver: 150µA (@ 0<Vdim<8V)

LED Current Tolerance at 1050mA ≤ 5% over temperature and component variations and ≤ 10% at any dim level.

Minimum Dim Level: 10% of Iout (minimum 105mA)

Guaranteed Shutdown driver with Vdim>14.5V

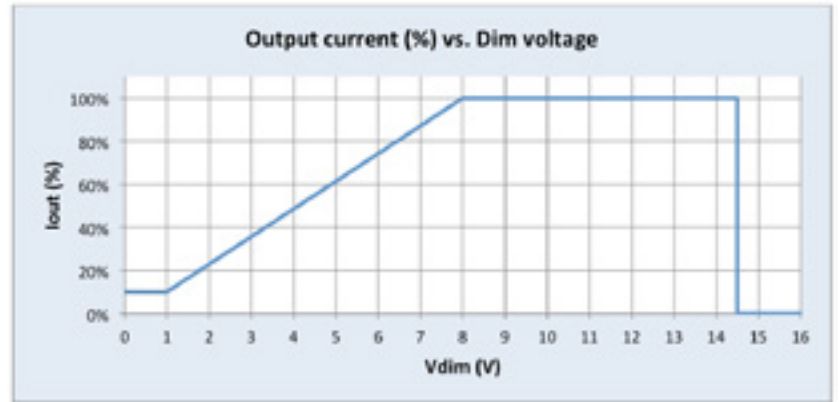
Typ. sink current: 3mA (4mA Max) at 16V dim

Guaranteed no shutdown driver with Vdim<12V

### Approved Dimmer List

Manufacturer	Manufacturer Part Number
Lutron	Visit <a href="http://www.lutron.com/advance">www.lutron.com/advance</a> for a list of dimmers (Mark VII) that will work with this driver
Leviton	IllumaTech IP7 series
Philips	Sunrise - SRI200ZTUNV

For compatibility with other dimmers please contact the dimmer manufacturer.

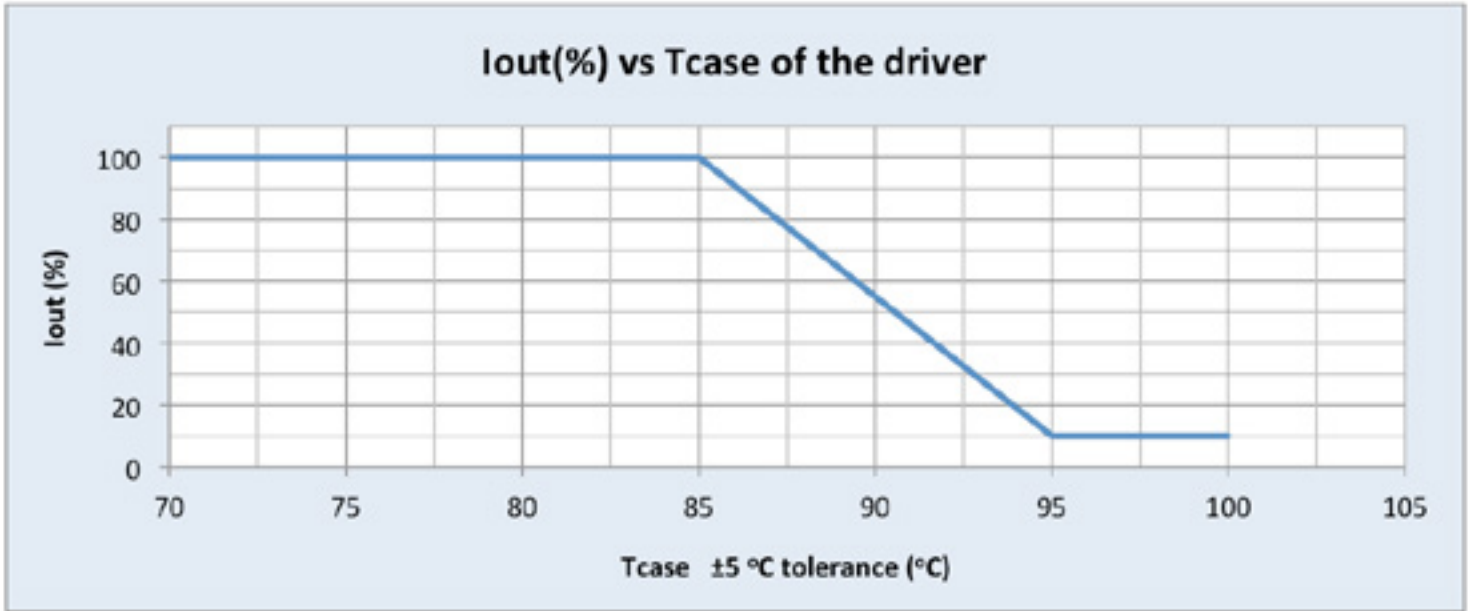


# PHILIPS ADVANCE XITANIUM LED DRIVER SPEC SHEET

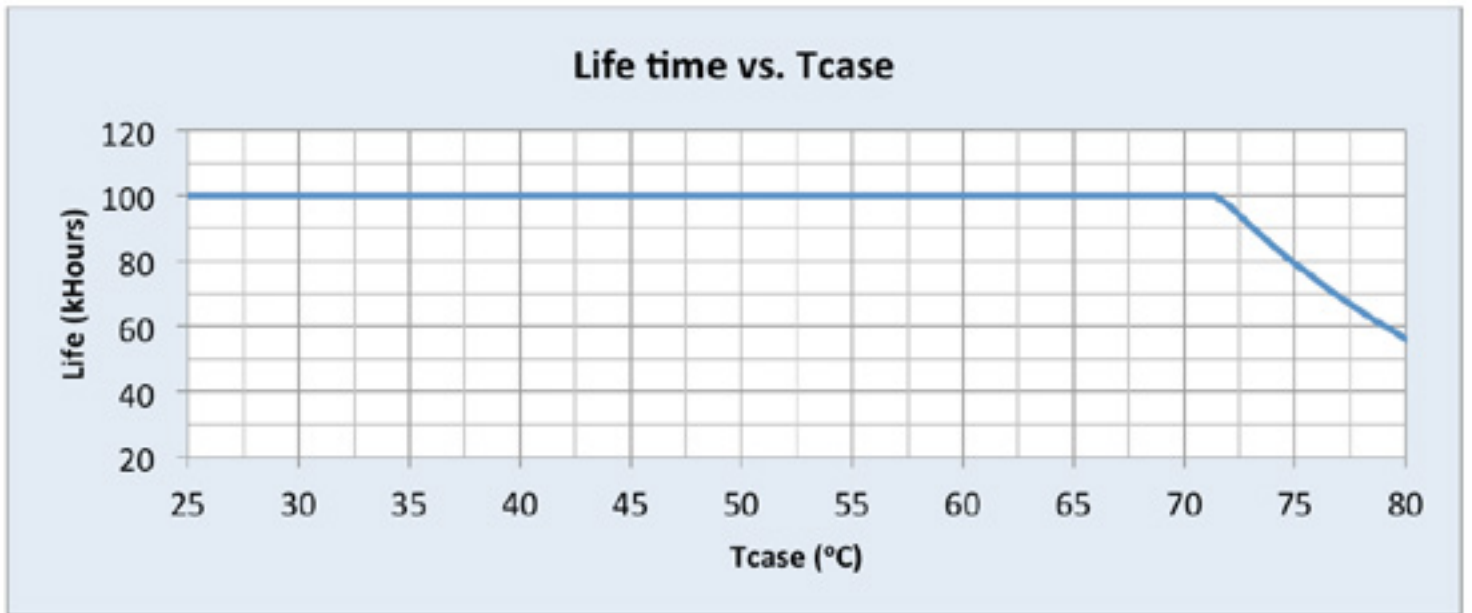
## Electrical Specifications

All the specifications are typical and at 25°C Tcase unless specified otherwise.

### Iout vs. Tcase of Driver:



### Lifetime vs. Tcase of Driver:

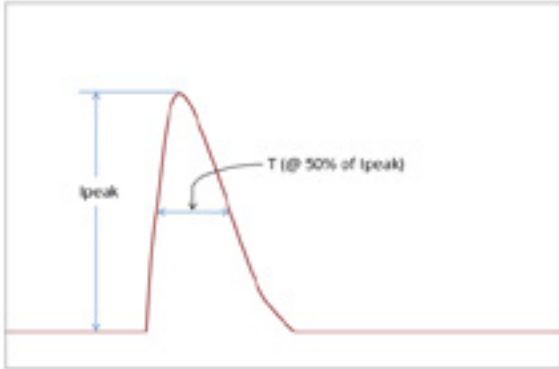


# PHILIPS ADVANCE XITANIUM LED DRIVER SPEC SHEET

## Electrical Specifications

All the specifications are typical and at 25°C Tcase unless specified otherwise.

### Inrush Current Info:



<b>Vin</b>	<b>Ipeak</b>	<b>T (@ 50% of Ipeak)</b>
120 Vrms	52 A	110 $\mu$ s
277 Vrms	73 A	120 $\mu$ s

Inrush current is measured at peak of the corresponding line voltage, source impedance per NEMA 410.

### Lightning Surge Info:

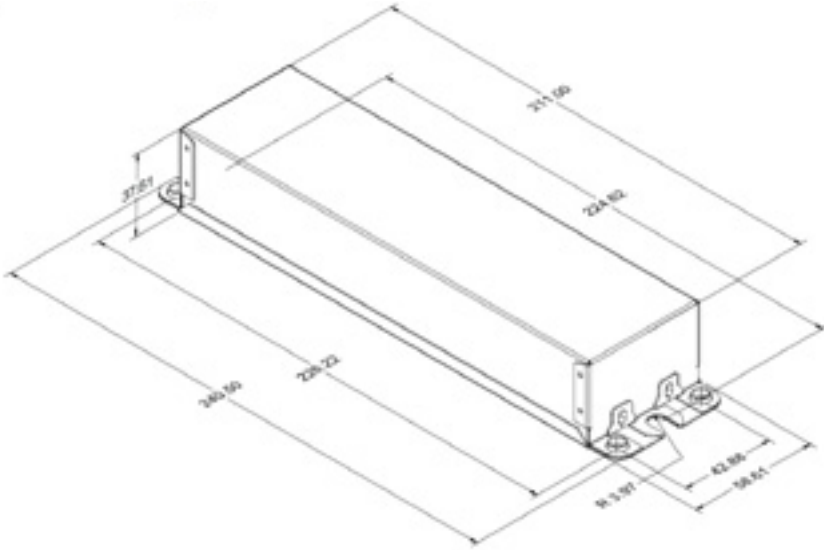
<b>ANSI Surge Type</b>	<b>Differential Mode (L-N)</b>	<b>Common Mode (L-G, N-G, L&amp;N-G)</b>
100 kHz Ring Wave (w/t 30 $\Omega$ )	6kV	6kV
1.2/50 $\mu$ s - 8/20 $\mu$ s Combination Wave (w/t 2 $\Omega$ )	4kV	4kV

---

# PHILIPS ADVANCE XITANIUM LED DRIVER SPEC SHEET

## Mechanical Specifications

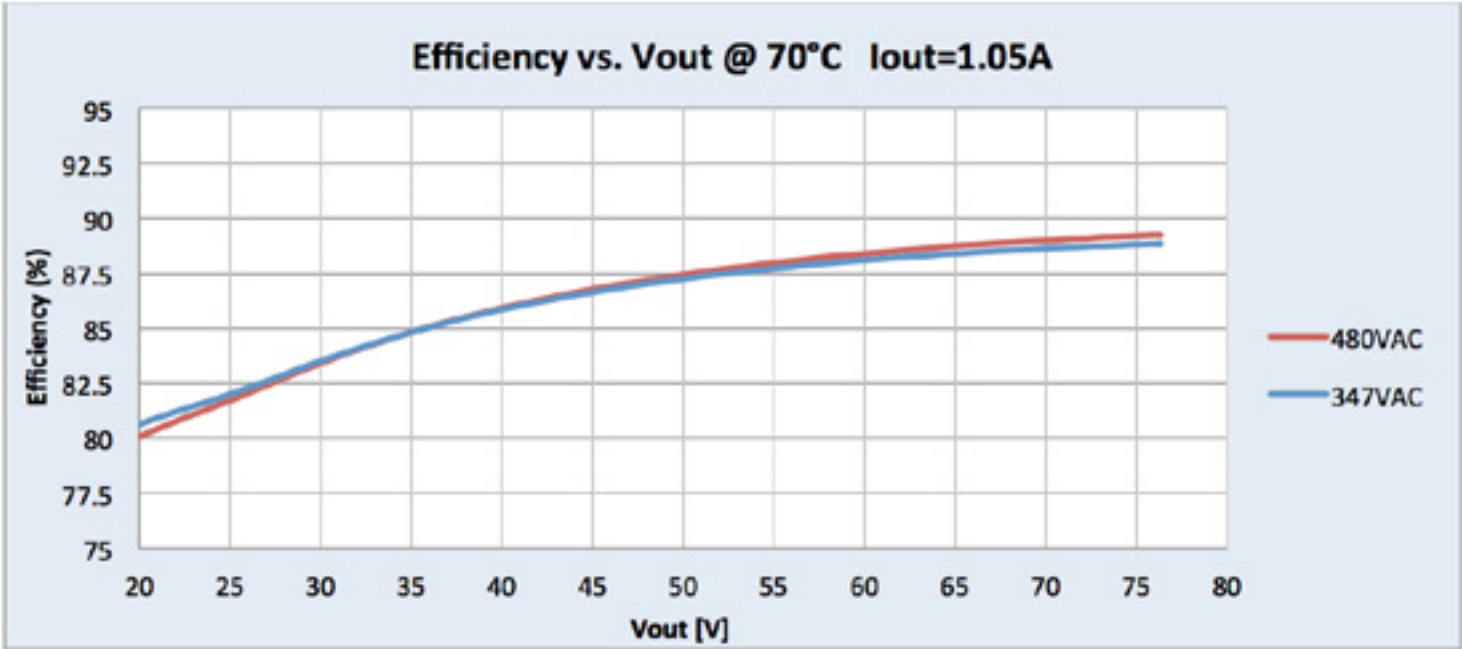
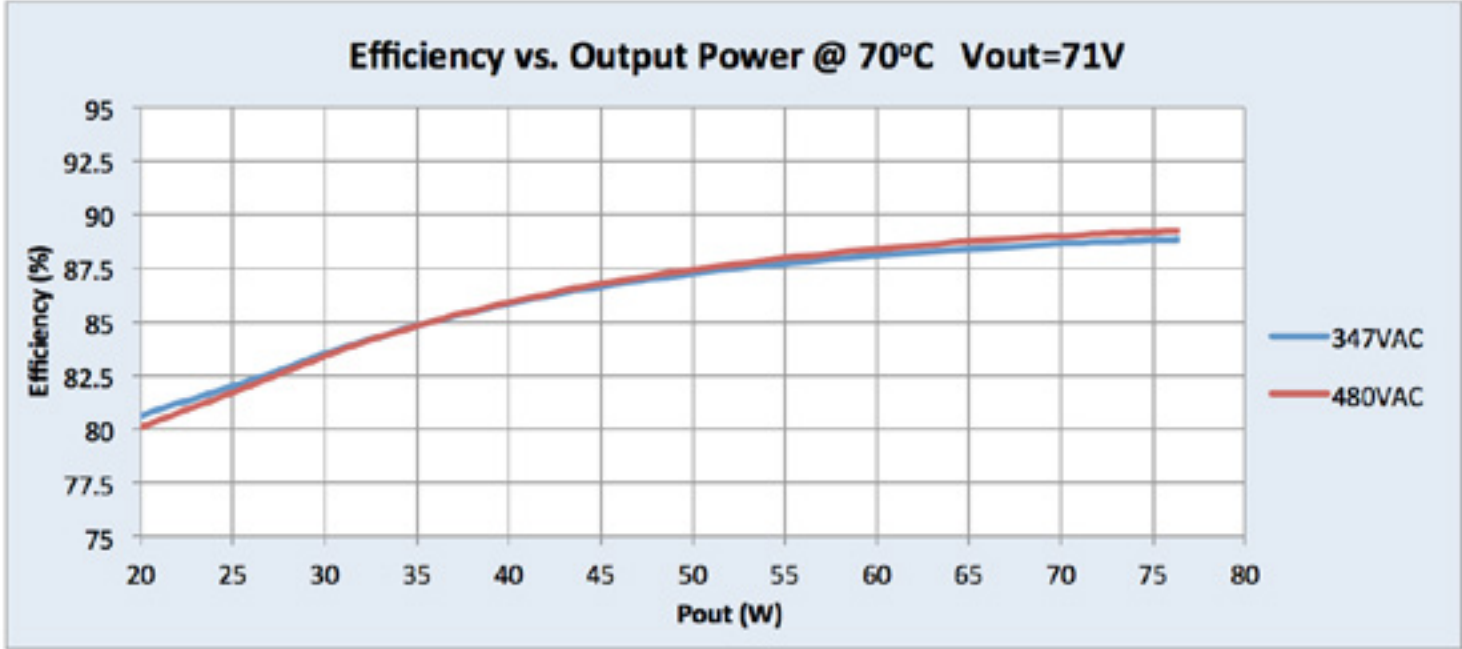
### Mechanical Drawing:



# PHILIPS ADVANCE XITANIUM LED DRIVER SPEC SHEET

## Performance Characteristics

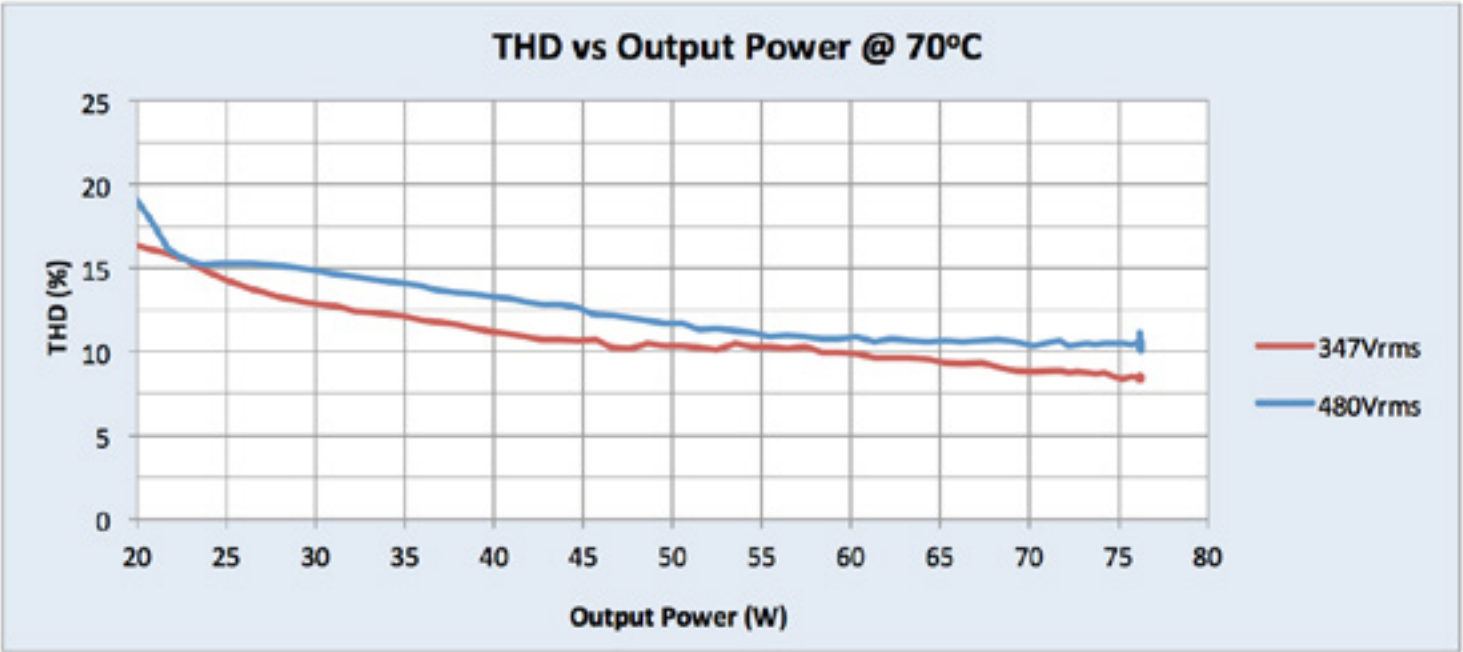
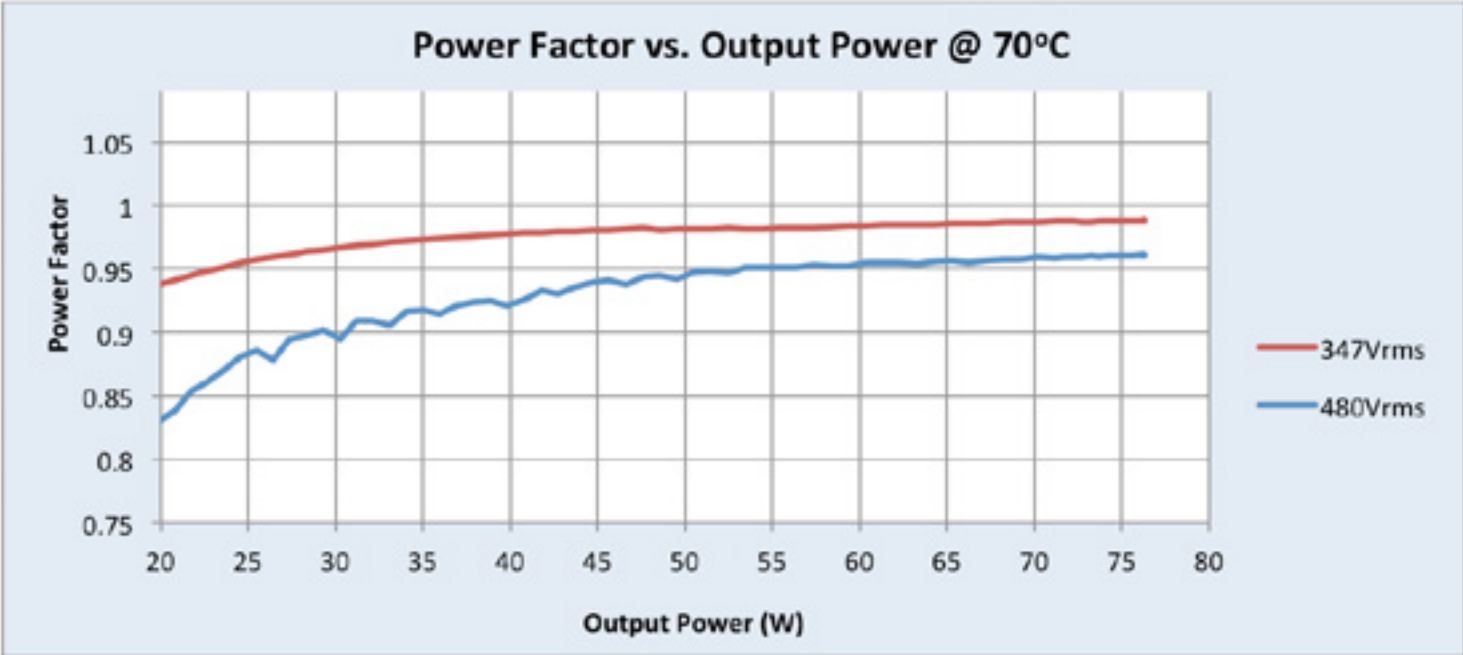
Based on measurements on a typical sample. The accuracy of the measurements is within the tolerance of the measurement instruments. The graphs are meant to be a guideline and not a specification.



# PHILIPS ADVANCE XITANIUM LED DRIVER SPEC SHEET

## Performance Characteristics

Based on measurements on a typical sample. The accuracy of the measurements is within the tolerance of the measurement instruments. The graphs are meant to be a guideline and not a specification.





---

# PHILIPS ADVANCE XITANIUM LED DRIVER SPEC SHEET

## Application Notes

### Isolation:

Isolation	Input	Output	0-10V (Class I & 2)	Enclosure
Input	Not applicable	2xU+1KV	2.5KVac	2xU+1KV
Output	2xU+1KV	Not applicable	2.5KVac	2xU+1KV
0-10V (Class I & 2)	2.5KVac	2.5KVac	Not applicable	2xU+1KV
Enclosure	2xU+1KV	2xU+1KV	2xU+1KV	Not applicable

### UL Conditions of Acceptability:

Please contact your Philips Lighting sales representative for a copy of the latest UL Conditions Of Acceptability (COA).



©2016 Philips Lighting Holding B.V.  
All rights reserved.  
Specifications are subject to change without notice.

PAd-I409DS 12/16

Philips Lighting  
North America Corporation  
10275 W. Higgins Road  
Rosemont, IL 60018  
Tel: 800-322-2086  
Fax: 888-423-1882  
Customer Support/Customer  
Care: 800-372-3331

Philips Lighting Canada Ltd.  
281 Hillmount Rd, Markham,  
ON, Canada L6C 2S3  
Tel. 800-668-9008