

PHILIPS bodine

Emergency Drivers

LED

BSL722



Project: _____
 Type: _____
 Model No: _____ Qty: _____
 Date: _____
 Notes: _____

Emergency LED Driver 23.1 Watts output power

Product order number: BSL722M (metal case)

Specifications

UL Listed for US and Canada

Listed to UL924 and tested to CSA 22.2 No. 141
 Field or Factory Installation (Indoor and Damp)
 Output Class 2 Compliant

Illumination Time

90 Minutes

Full Warranty

3 Years (NOT pro-rata)

Universal Input Voltage

120 through 277 VAC, 50/60 Hz

AC Input Current

80 mA

AC Input Power Rating

7.5 W

Output Voltage

28.0 to 33.0 VDC

Output Current

700 mA

Output Power

23.1 W (Maximum)

Test Switch

Low Voltage, IP67 rated ITS

Battery

High-Temperature, Maintenance-Free
 Nickel-Cadmium Batteries
 7- to 10-Year Life Expectancy

Battery Charging Current

160 mA

Recharge Time

24 Hours

Charging Indicator Light

LED

Temperature Rating (Ambient)

0°C to +60°C (32°F to 140°F)

Dimensions

9.4" x 2.2" x 1.05"
 (238 mm x 55.9 mm x 26.7 mm)
 Mounting Center 8.9" (226 mm)

Weight

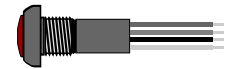
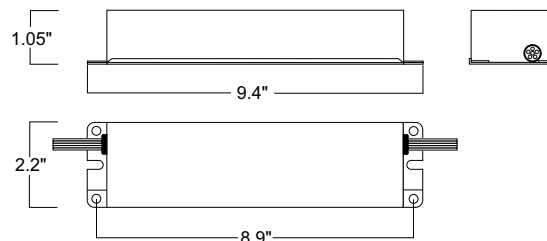
4 lbs. (1.82 kg)

Benefits:

- For use in damp locations as well as sealed and gasketed fixtures
- Universal input (120 through 277 VAC, 50/60 Hz)

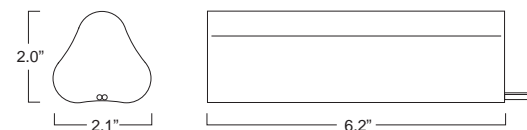
Dimensions

9.4" x 2.2" x 1.05" (mounting center - 11.5")

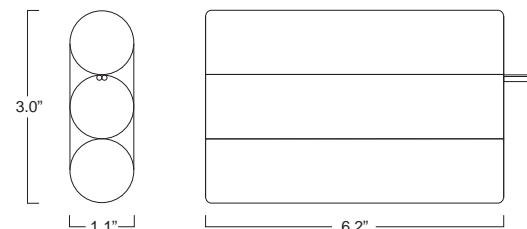


Low Voltage Test Switch -
IP67 rated ITS

Triangular Battery Option 1



Flat Battery Option 2

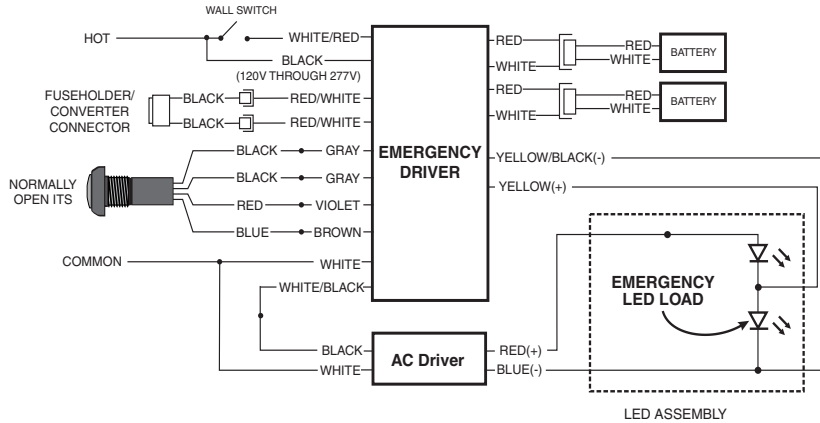


BSL722

Emergency LED Driver, 23.1 Watts output power

Typical Wiring Diagram

See Installation Instructions for complete information.



Application

The BSL722 emergency LED driver works in conjunction with an AC LED driver to convert new LED fixtures into emergency lighting. The emergency driver unit consists of a battery charger and electronic circuitry in one compact case. The batteries are separate from the driver and are available in triangular and flat configurations. The BSL722 can be used with an LED lighting load of up to 23.1 Watts at rated current of 700 mA for 90 minutes. If used in an emergency-only fixture, no AC driver is necessary. The BSL722 is suitable for damp locations as well as sealed and gasketed fixtures. The BSL722 is not suitable for air handling heated air outlets or wet or hazardous locations. For more information about specific LED and AC driver compatibility, please call the factory.

Operation

When AC power fails, the BSL722 immediately switches to the emergency mode, operating the LEDs for a minimum of 90 minutes. When AC power is restored, the emergency driver automatically returns to the charging mode.

Installation

The BSL722 does not affect normal fixture operation and may be used with either a switched or unswitched fixture. If a switched fixture is used, an unswitched hot lead must be connected to the emergency driver. The emergency driver must be fed from the same branch circuit as the AC driver. Installation is not recommended with fixtures where the ambient temperature may fall below 0° C.

Emergency Illumination

The BSL722 operates an LED load of up to 23.1 W at rated current (700 mA) for a minimum of 90 minutes.

Specification

Emergency lighting shall be provided by using a standard LED fixture equipped with a Philips Bodine BSL722 emergency driver. This emergency driver shall consist of high-temperature, maintenance-free nickel-cadmium batteries with a separate battery charger and electronic circuitry contained in one 9.4" x 2.2" x 1.05" metal case. Battery and installation hardware shall be provided and a low voltage, normally open, IP67

rated ITS. The emergency driver shall be capable of operating an LED load of up to 23.1 Watts at rated current (700 mA) for a minimum of 90 minutes. It is suitable for damp locations as well as sealed and gasketed fixtures. The BSL722 shall have 7.5 Watts of input power and a 54.0 Watt-hour battery capacity and shall comply with emergency standards set forth by the current NEC, National Building Code of Canada and the Canadian Electrical Code. The emergency driver shall be UL Listed (Pending) for factory or field installation.

Warranty

Model BSL722 is warranted for three (3) full years from date of purchase. Please see detailed warranty information on our web site.

© 2016 Philips Lighting Holding B.V. All rights reserved. Philips reserves the right to make changes in specifications and/or to discontinue any product at any time without notice or obligation and will not be liable for any consequences resulting from the use of this publication.



Philips Emergency Lighting
236 Mt. Pleasant Rd.
Collierville, TN 38017
Tech Support: 888.263.4638
Sales: 800.223.5728