

# PHILIPS

## Indoor Controls

### SpaceWise DT

Downlight remote controller



Project:	
Location:	
Cat. No:	
Type:	
Lamps:	Qty:
Notes:	

The Philips SpaceWise wireless technology DT downlight remote controller SWZDT is sold as an accessory for Calculite and LyteProfile luminaires. Other indoor luminaire 0-10V luminaires are compatible, please consult factory for confirmation. It can control multiple luminaires with a maximum total load of 730VA at 120V.

### Ordering information

**SWZDT** SpaceWise DT 0-10V accessory for downlighting

### Features

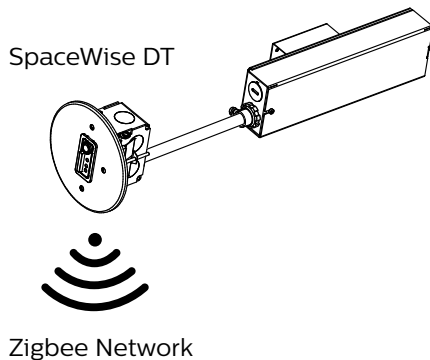
- Designed to control Philips 0-10V downlights such as Calculite and LyteProfile
- Provide ON/OFF control and granular dimming.
- Dwell time feature.
- Include an occupancy sensing, daylight harvesting.
- Can be programmed using IR (infra-red) receiver and (near field communication) with Philips Android based apps.
- Occupancy sensing, daylight harvesting and task tuning in one device

### Benefits

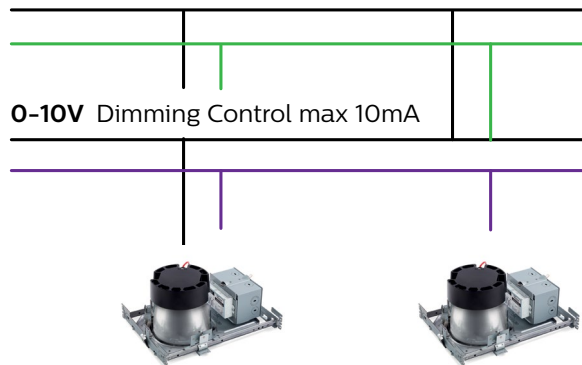
- Improve overall installation ROI by controlling multiple luminaire fixtures with one system controller.
- Installation savings – everything integrated in one accessory.
- Minimal startup and configuration expertise savings on labor time & effort
- Deep energy savings & code compliance strategies

### Applications

- Conference rooms
- Individual offices
- Open offices
- Classrooms
- Storage and break areas
- Restrooms
- Lobbies
- Stairways



**Power** Switched mains: max 730VA



# SWZDT SpaceWise DT

## Downlight remote controller

### Specifications and Certifications

#### Construction

Sensor Box: 16 Ga. Galvanized steel housing.  
Collapsible wing brackets for mounting into ceiling material thicknesses up to 1.5 inches.

Controller Box: 18Ga. Galvanized steel housing.  
Mounts to standard T Bar Grid or to Luminaire mounting frame

#### Electrical information

Input Line Voltage 120-347VAC, +/-10%

Input Line Current Max. Load:

6.1A @ 120V,  
6.1A @ 208V,  
5.3A @ 240V,  
4.6A @ 277V,  
3.7A @ 347V

Line Frequency 50/60Hz

Power Reporting Accuracy ±0.9W/±4%

Dimming Profile Linear (default 1 – 8V);  
0-10V Max sinking or sourcing current: 10mA  
Programmable

#### Environment and Approbation

Operating Ambient Temperature Range:  
0°C to 55°C

Operating Humidity: 0 – 95% non-condensing

Storage Temperature: -25°C to 85°C

Storage Humidity: 0-95% non-condensing

Agency Approbations: UL, CSA

Tested and approved for use in plenums

#### Warranty

Warranty 5 years

#### Compatible luminaires

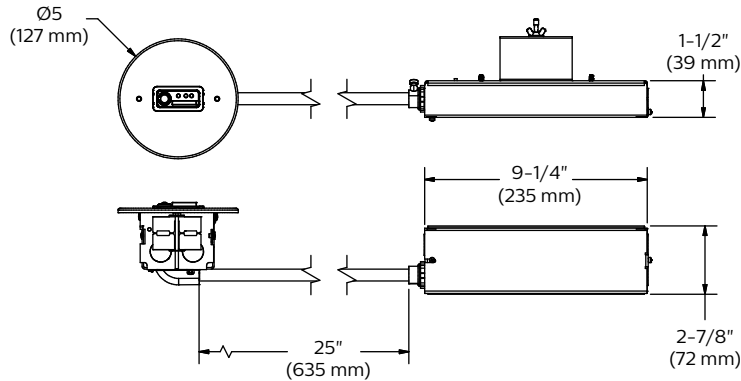
Lightolier Calculite series 0-10V LED luminaires

Lightolier LyteProfile series 0-10V LED luminaires

Refer to [www.philips.com/spacewise](http://www.philips.com/spacewise) for details.

**Note:** There are also other Philips Lightolier luminaires with 0-10V option that are compatible, please consult factory for more info.

### Dimensions



### Wiring

