

- Do not stare into LED light beam.

- The luminaire shall be installed by a qualified electrician and wired in accordance with the latest IEE electrical regulations or the national requirements.

- The light source contained in this luminaire shall only be replaced by the manufacturer or his service agent or a similar qualified person.

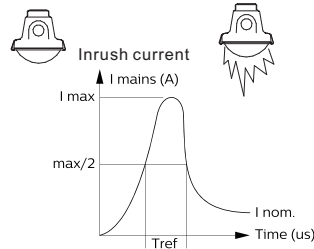
- Above average concentration of sulfur effects the useful lifetime of the product.
E.g: Light color changes from white to blue. Typically in chicken & pig farms.

- For use in environments where an accumulation of conductive dust on the luminaire may be expected

- Do not install the luminaire on locations where it is exposed to direct sunlight.
UV radiation will damage the material over time resulting in loss of waterproof sealing and IP65 rating.

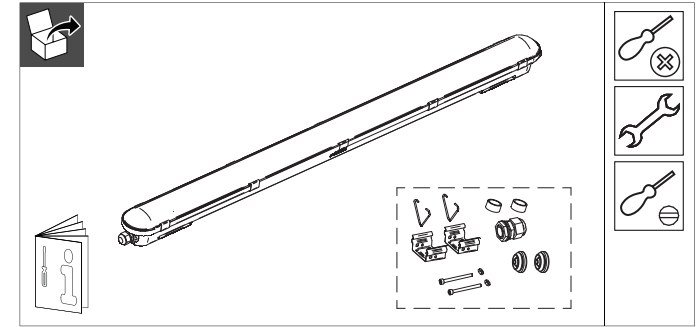
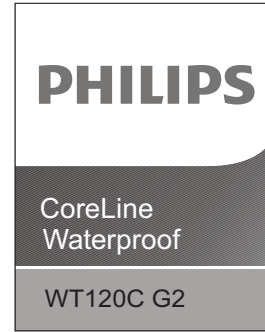


	LED19S LED18S	LED27S LED25S	LED40S LED37S	LED34S LED31S	LED60S LED57S	LED80S LED75S
I _{peak} [A]	3.58	3.58	5.16	5.16	5.56	6.9
T _{ref} [μs]	40	40	47	47	47	58
Max. Nr of products						
Drivers / MCB 16A type B [max.]	24	24	24	24	24	18
Drivers / MCB 10A type B [max.]	15	15	15	15	15	11
Drivers / MCB 16A type C [max.]	40	40	40	40	40	30
Drivers / MCB 10A type C [max.]	24	24	24	24	24	18

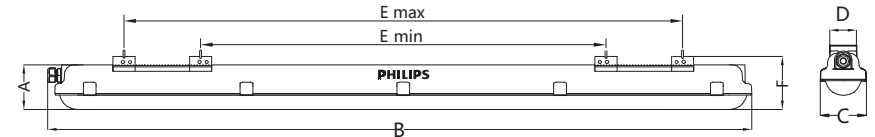


© 2019 Signify Holding.
All rights reserved. This document contains information relating to the product portfolio of Signify which information may be subject to change. No representation or warranty as to the accuracy or completeness of the information included herein is given and any liability for any action in reliance thereon is disclaimed. The information presented in this document is not intended as any commercial offer and does not form part of any quotation or contract. Philips and the Philips Shield Emblem are registered trademarks of Koninklijke Philips N.V.. All other trademarks are owned by Signify Holding or their respective owners.

Signify Holding.
The Netherlands



	System light output(Lm)	Color temperature(K)	Power(W)	kg
WT120C G2 LED19S/840 PSU L600	1900	4000K	15	0.8
WT120C G2 LED27S/840 PSU L1200	2700	4000K	20.5	1.33
WT120C G2 LED40S/840 PSU L1200	4000	4000K	28.6	1.33
WT120C G2 LED34S/840 PSU L1500	3400	4000K	24.3	1.65
WT120C G2 LED60S/840 PSU L1500	6000	4000K	42.9	1.67
WT120C G2 LED80S/840 PSU L1500	8000	4000K	57.1	1.73
WT120C G2 LED18S/840 PSU PCO L600	1800	4000K	15	0.8
WT120C G2 LED25S/840 PSU PCO L1200	2500	4000K	20.5	1.33
WT120C G2 LED37S/840 PSU PCO L1200	3700	4000K	28.6	1.33
WT120C G2 LED31S/840 PSU PCO L1500	3100	4000K	24.3	1.65
WT120C G2 LED57S/840 PSU PCO L1500	5700	4000K	42.9	1.67
WT120C G2 LED75S/840 PSU PCO L1500	7500	4000K	57.1	1.73



Type	Dimension(mm)						Nr. of clips	
	A	B	C	D	E min	E max		
WT120C G2 LED19S/840 PSU L600 / WT120C G2 LED18S/840 PSU PCO L600	76	665	80	38	308	512	6	
WT120C G2 LED27S/840 PSU L1200 / WT120C G2 LED25S/840 PSU PCO L1200		1215			538	1062	10	
WT120C G2 LED40S/840 PSU L1200 / WT120C G2 LED37S/840 PSU PCO L1200		1515			838	1362	85	12
WT120C G2 LED34S/840 PSU L1500 / WT120C G2 LED31S/840 PSU PCO L1500								
WT120C G2 LED60S/840 PSU L1500 / WT120C G2 LED57S/840 PSU PCO L1500								
WT120C G2 LED80S/840 PSU L1500 / WT120C G2 LED75S/840 PSU PCO L1500								

