



Stonco LytePro LED large wall sconce LPW32 features outstanding value in a compact, architectural design. This powerful and precise combination offers outstanding energy savings with excellent photometric performance. LPW32 is ideal for building perimeters and corridors in addition to wall lighting applications requiring strong lateral spacing and forward pattern projection.

Project: _____
 Location: _____
 Cat.No: _____
 Type: _____
 Lamps: _____ Qty: _____
 Notes: _____

Ordering guide

Example: LPW32-70-NW-G3-3-120-PCB-BZ

Prefix	Wattage	LED Color/Gen	Distribution	Emergency	Voltage
LPW32					
LPW32 LytePro 32 LED Large Wall Sconce	70 70W	NW-G3 Neutral White 4000K 70 CRI Generation 3 WW-G3 Warm White 3000K 70 CRI Generation 3	3 Type 3	-- None	120 120V
	90 90W		4 Type 4	EBP Emergency Battery Pack ^{1,2,3}	208 208V
	50 50W ¹			EBP only available with 50W version	240 240V 277 277V 347 347V 480 480V UNV 120-277V (50/60Hz) HVU 347-480V (50/60Hz)

Options			
Dimming controls	Motion sensing	Photocontrol	Finish
FAWS Field Adjustable Wattage Selector ⁴	IMRI3 Motion sensor #3 Lens ^{2,5}	PCB Photocontrol Button ^{2,6}	Textured BK Black WH White BZ Bronze DGY Dark Gray MGY Medium Gray Customer specified RAL Specify optional color or RAL (ex: OC-LGP or OC-RAL7024) CC Custom color (Must supply color chip for required factory quote)
BL Bi-level functionality ^{2,4}			

Stocked luminaires – Ordering guide

Catalog Number	Description	Master Pack, Qty	UPC Code
LPW32-G3-8-DGY	LPW32, 70W, 650mA, 4000K, Type 3, 120-277V, Dark gray textured paint	3	622252813889
LPW32-G3-8-BZ	LPW32, 70W, 650mA, 4000K, Type 3, 120-277V, Bronze textured paint	3	622252813896

Stocked accessories – Ordering guide (Must be ordered separately)

Catalog Number	Description	Master Pack, Qty	UPC Code
LPWCVRPLT-BZ⁷	LPW Universal wall cover mounting plate, Bronze textured paint	(none)	190096144860

¹ 50W configuration available with emergency battery backup only (EBP)

² Not available in 347 or 480V

³ Not available with BL, FAWS or PCB

⁴ Not available with other control options.

⁵ Available only with BL diming option

⁶ Must specify voltage

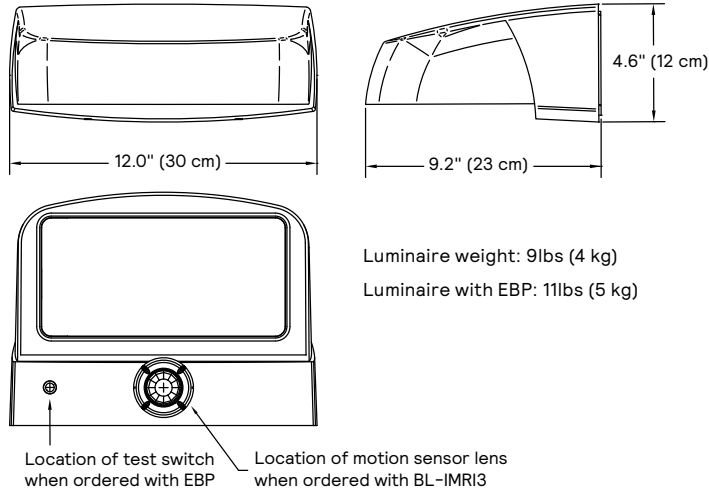
⁷ Other colors available upon request as made-to-order



LPW32 LytePro

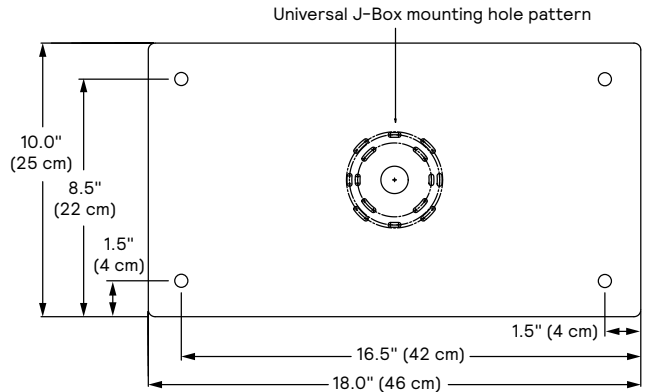
LED large wall sconce

Dimensions



Accessory dimensions (ordered separately)

LPWCVRPLT-BZ LPW Universal wall cover mounting plate, 0.08" aluminum, bronze textured paint (used to cover larger pre-existing opening or surfaces, field installed). Offers same J-Box pattern as luminaire or may lagged to wall using (4) knockouts.



LED Wattage and Lumen Values

Ordering Code	Total LEDs	LED Current (mA)	Color Temp.	Average System Watts	Type 3			Type 4		
					Lumen Output	BUG Rating	Efficacy (LPW)	Lumen Output	BUG Rating	Efficacy (LPW)
LPW-32-70-NW-G3	32	650	4000	65	7386	B1-U0-G2	114	7149	B1-U0-G2	111
LPW-32-90-NW-G3	32	900	4000	90	9637	B2-U0-G2	107	9328	B2-U0-G2	104
LPW-32-70-WW-G3	32	650	3000	65	6686	B1-U0-G2	103	6472	B1-U0-G2	100
LPW-32-90-WW-G3	32	900	3000	89	8724	B2-U0-G2	98	8444	B2-U0-G2	95

LED Wattage and Lumen Values – Emergency mode

Ordering Code	Total LEDs	LED Current (mA)	Color Temp.	Average System Watts		Type 3		Type 4	
				Normal Mode	Emergency Mode	Normal Mode	Emergency Mode	Normal Mode	Emergency Mode
LPW-32-50-NW-G3-EBP	32	400	4000	45	10	5232	1625	5064	1573
LPW-32-50-WW-G3-EBP	32	400	3000	45	10	4736	1471	4584	1424

Values from photometric tests performed in accordance with IESNA LM-79 and are representative of the configurations shown.

Actual performance may vary due to installation and environmental variables, LED and driver tolerances, and field measurement considerations. It is highly recommended to confirm performance with a photometric layout.

NOTE: Some data may be scaled based on tests of similar (but not identical) luminaires. Contact factory for configurations not shown.

Predicted lumen depreciation data

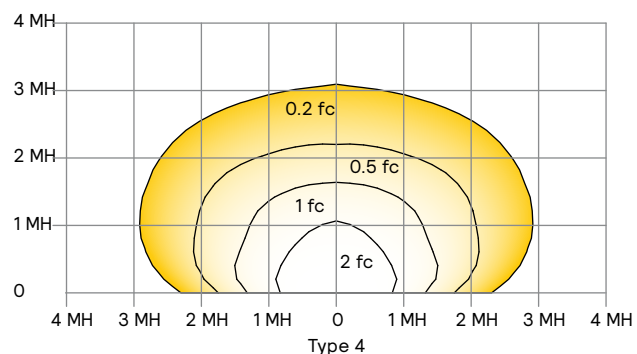
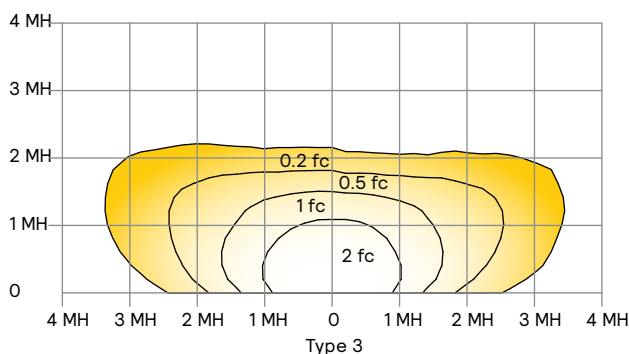
Predicted performance derived from LED manufacturer's data and engineering design estimates, based on IESNA LM-80 methodology.

Actual experience may vary due to field application conditions. L₇₀ is the predicted time when LED performance depreciates to 70% of initial lumen output. Calculated per IESNA TM21-11. Published L₇₀ hours limited to 6 times actual LED test hours

Ambient Temperature °C	Calculated L ₇₀ Hours	L ₇₀ per TM-21	Lumen Maintenance % at 60,000 hrs
up to 40°C	>200,000 hours	>54,000 hours	>95%

Optical distributions

Based on LPW32-70-NW-G3 at 20' mounting height



LPW32 20' mounting height			
Mounting height	18 ft	20 ft	23 ft
Multiplier	1.14	1.00	0.79

LPW32 20' mounting height			
Mounting height	18 ft	20 ft	23 ft
Multiplier	1.16	1.00	0.76

LPW32 LytePro

LED large wall sconce

General Description

LytePro LED large wall sconce LPW32 combines excellent performance, design and value to meet the needs of the energy and budget conscious. The LPW32 is available for use in downward facing, surface wall mount applications, over recessed j-boxes or where power can be directly fed through back surface, whereby connections splices can be made inside the luminaire housing. Two SKU's are available as in-stock configurations (2-day quick ship).

Housing

Die-cast housing houses both the LED and driver assemblies. Design incorporates an integrated heat sink to maximize thermal performance and reliability. Backplate is corrosion free, composite polycarbonate, with built-in level bubble, offers integral interlocking hook and mount design for easy installation.

Mounting

Easy interlocking hook and mount housing/backplate design for easy installation. Mounts over 3.5", 4" octagonal j-boxes and single gang switch boxes or can be directly lagged to surface. Ensure proper steps for gasket/sealing luminaire to surface.

IP Rating

Optical compartment is IP65 rated.

LED Board and Array

Provides up to 114 lm/W in LPW32 at the system level. Standard color temp is 4000K or 3000K +/- 250K, minimum 70 CRI.

Electrical

Driver efficiency (>90% standard). 120-277V and 347-480V available. All drivers are dimmable.. Temp range: -40°C (-40°F) to 40°C (104°F). Open/short circuit protection. Inherent surge protection up to (6KVA). RoHS compliant.

Surge protection (SP1): Surge protection device tested in accordance with ANSI/IEEE C62.45 per ANSI/IEEE C62.41.2 Scenario I Category C High Exposure 10kV/10kA waveforms for Line-Ground, Line-Neutral and Neutral-Ground, and in accordance with DOE MSSLC Model Specification for LED Roadway Luminaires Appendix D Electrical Immunity High test level 10kV/10kA.

Listings

Product is cETLus listed suitable for Wet Locations. Suitable for use in ambients from -40°C to 40°C (-40°F to 104°F). DesignLights Consortium® qualified.

Finish

Each luminaire receives a fade and abrasion resistant, electrostatically applied, thermally cured, triglycidal isocyanurate (TGIC) textured polyester powdercoat finish.

Emergency Option

Emergency Battery Backup (EBP): Emergency battery packs included integral to the luminaire, allowing for a consistent look between emergency and non-emergency luminaires. A separate surface mount accessory box is not required. EBP is suitable for use in ambient temperature conditions from 0°C (-32°F) to 40°C (104°F) available on 50W configuration only. System is designed to have a secondary driver with relay to immediately detect AC power loss to power luminaire for a minimum of 90 minutes from the time power is lost. Available with 120-277V, or 'UNV' only.

Dimming Control Options

Field Adjustable Wattage Selector (FAWS): Luminaire equipped with the ability to manually adjust the wattage in the field to reduce total luminaire lumen output and light levels. Comes pre-set to the highest position at the lumen output selected. Use chart below to estimate reduction in lumen output desired. Cannot be used with other control options or motion response.

FAWS Position	Percent of Typical Lumen Output
1	25%
2	50%
3	55%
4	65%
5	75%
6	80%
7	85%
8	90%
9	95%
10	100%

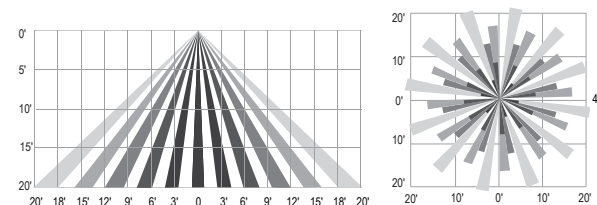
Note: Typical value accuracy +/- 5%

Motion Response Options

Bi-Level Infrared Motion Response (BL): Motion Response module is mounted integral to luminaire factory pre-programmed to 50% dimming when not ordered with other control options. BL is set/operates in the following fashion: The motion sensor is set to a constant 50%. When motion is detected by the PIR sensor, the luminaire returns to full power/light output. Dimming on low is factory set to 50% with 5 minutes default in "full power" prior to dimming back to low. When no motion is detected for 5 minutes, the motion response system reduces the wattage by 50%, to 50% of the normal constant wattage reducing the light level. Other dimming settings can be provided if different dimming levels are required. This can also be done with FSIR-100 Wireless Remote Programming Tool (contact Technical Support for details).

Infrared Motion Response Lenses (IMRI3): Infrared Motion Response Integral module is available with sensor lens #3 (IMRI3) is designed for mounting heights up to 20' with a 40' diameter coverage area. See charts for approximate detection patterns:

IMRI3 Luminaire with #3 lens



Warranty

LPW32 luminaires, the LED arrays, and the drivers are all covered by a 5-year limited warranty. See www.signify.com/warranties for details.

