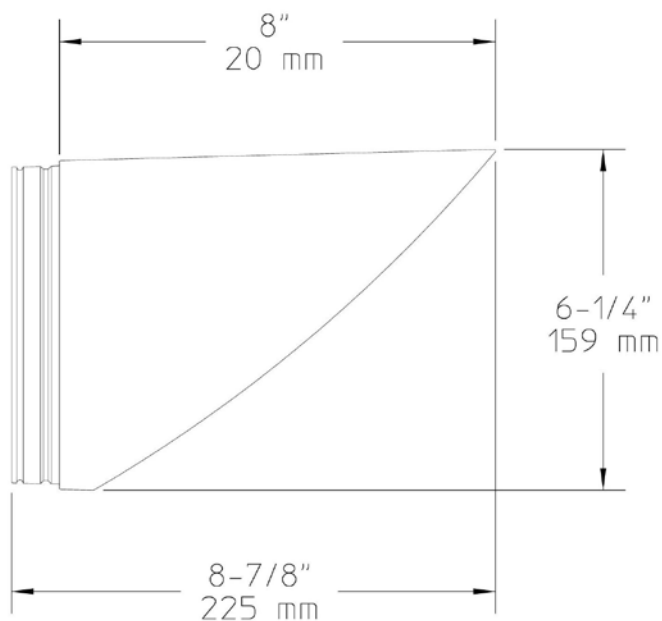


Project: _____
 Location: _____
 Cat.No: _____
 Type: _____
 Lamps: _____ Qty: _____
 Notes: _____



Ordering Guide

Example: 4 A S B

Product Code	4	Aluminum Shroud
Finish	A H G	Black Bronze Verde
Shroud	S L	Short Shroud Long Shroud
Lens	B C O	Convex Ice Blue Lens Convex Clear Lens Flat / Clear Lens

Specifications

ACCESSORIES:

Accessory used in the following product(s): B4-A, B4-G, B4-H.

Die cast aluminum. Glass lens. Thermoset polyester powdercoat paint.

The Ice Blue Lens from HADCO is specially designed for use with halogen and modern Metal Halide to more closely replicate a Mercury Vapor light source. The ice blue lens will work to filter out the yellows and reds while accentuating the greens and blues.

