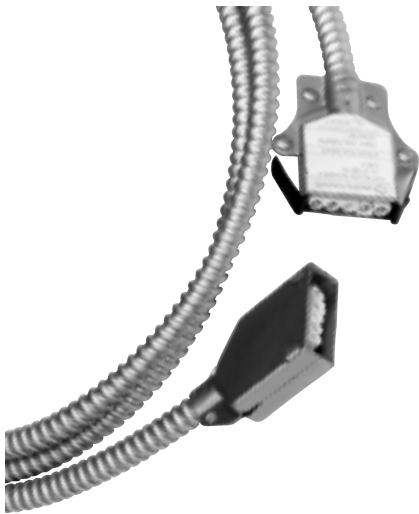


## LIGHTING CABLES



**SAMPLE CATALOG NUMBER: LC-27-1E-09**

<b>LC</b>	
<u>DESIGNATOR</u>	<u>WIRING CONFIGURATION</u>
<b>LC</b> – Lighting Cable	<b>1E</b> – 1 circuit <b>2E</b> – 2 circuit <b>3E</b> – 3 circuit <b>NE</b> – 2 circuit, 2 neutral
<u>VOLTAGE</u>	<u>LENGTH</u>
<b>12</b> – 120v	<b>05</b> – 05'
<b>20</b> – 208v*	<b>07</b> – 07'
<b>24</b> – 240v*	<b>09</b> – 9'
<b>27</b> – 277v	<b>11</b> – 11'
<b>34</b> – 347v	<b>13</b> – 13'
<b>48</b> – 480v*	<b>15</b> – 15'
	<b>17</b> – 17'
	<b>21</b> – 21'
	<b>25</b> – 25'
	<b>30</b> – 30'

\*Consult factory for these applications.

**APPLICATION** \_\_\_\_\_

- Pre-fabricated distribution cables replace conventional conduit and wire to distribute branch lighting circuits from a junction box.
- Optional components to the lighting interface.

**ELECTRICAL** \_\_\_\_\_

- UL/cUL listed.

**CONSTRUCTION** \_\_\_\_\_

- Pre-wired with female (power-out) connector, opposite end has 6" leads and 1/2" K.O. connector for mounting to a junction box in a standard 1/2" (7/8" diameter) knockout.
- Internal wires are #12 AWG THHN stranded copper, 600 volt, plus a bare #12 AWG solid tinned copper ground conductor.
- Cable head is 18 gauge steel, zinc plated
- Single circuit, two circuit and three circuit cable sets are available.

**Job Name:** \_\_\_\_\_

Catalog Number: \_\_\_\_\_

Type: \_\_\_\_\_

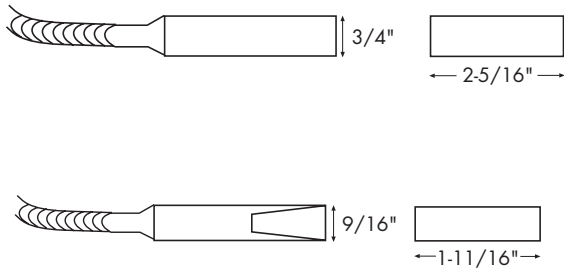
Notes: \_\_\_\_\_

\_\_\_\_\_

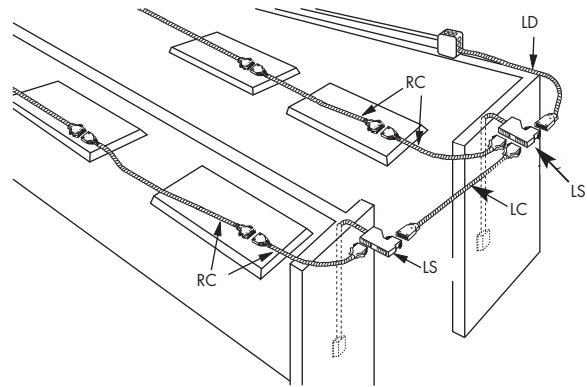
\_\_\_\_\_

**ecc 1020**

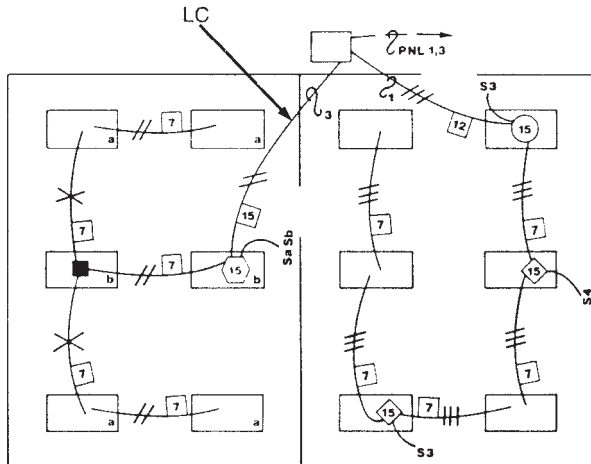
**DIMENSIONS**



**APPLICATION**



**WIRING**



**WIRING DIAGRAM**

