

## WARNINGS AND INSTRUCTIONS FOR LUMINAIRES

**IMPORTANT:** FOR YOUR PROTECTION, YOU MUST CAREFULLY READ ALL WARNINGS AND INSTRUCTIONS IN THEIR ENTIRETY PRIOR TO INSTALLATION, OPERATION, SERVICE OR MAINTENANCE. FAILURE TO DO SO CAN RESULT IN DEATH, PERSONAL INJURY AND PROPERTY DAMAGE. If you do not understand these warnings and instructions, or if additional information is desired, please contact Philips at [SanMarcos.TSC@philips.com](mailto:SanMarcos.TSC@philips.com) phone 800-227-0758.

- Installation, service and maintenance of luminaires must be performed by a qualified professional and in accordance with all federal, state and local laws, regulations and electrical codes. This professional should be familiar with the construction and operation of this product and any hazards involved. If not qualified, do not attempt installation, service or maintenance.
- To reduce the risk of death, personal injury or property damage from fire, electric shock, falling parts, cuts, abrasions and other hazards, please read all warnings and instructions included with the luminaire, on the luminaire's packaging and affixed to the luminaire itself.
- Maintenance of the luminaires should be performed by person(s) familiar with the luminaire's construction and operation and any hazards involved.



### WARNING

#### RISK OF FIRE, ELECTRIC SHOCK OR PERSONAL INJURY

- Disconnect or turn off power before attempting any installation, service or maintenance.
- Verify that supply voltage is correct by referencing the luminaire label information.
- Make all electrical and ground connections in accordance with the National Electrical Code (NEC) and any other applicable laws, regulations or codes.
- All wiring connections should be capped with UL-approved wire connectors.



### WARNING

#### RISK OF PERSONAL INJURY

- Wear gloves and safety glasses at all times when removing luminaire from carton, installing, servicing or performing maintenance.
- Avoid direct eye exposure to the light source while it is on.



### WARNING

#### RISK OF FIRE OR PERSONAL INJURY

- Keep combustible materials away from LED/lamp & lens
- Do not operate in close proximity to persons, combustible materials or substances affected by heat or drying.



### WARNING

#### RISK OF FIRE, ELECTRIC SHOCK OR PERSONAL INJURY

- Allow Led/lamp & lens to cool before handling.
- Do not touch enclosure or light source
- Do not exceed maximum wattage marked on luminaire label.
- Follow all manufacturer's warnings, recommendations, instructions and restrictions for driver type, burning position, mounting locations and replacement.



### CAUTION

#### RISK OF PRODUCT DAMAGE

- Never connect luminaires and/or components under load with supply voltage turned on.
- Do not mount or support these luminaires in a manner that can cut the outer jacket or damage wire insulation.
- Do not restrict fixture ventilation. Allow for some volume of airspace around luminaire. Avoid covering luminaire with insulation, foam or other material that will prevent convection or conduction cooling.
- Do not exceed luminaire maximum ambient temperature.
- Do not modify the luminaire.
- Only use luminaire in its intended application and location.
- Led products are polarity sensitive. Ensure proper polarity before installation.
- Electrostatic Discharge (ESD) can damage LED. Personal grounding equipment must be worn during all installation and servicing of the luminaire.
- Do not touch individual electrical components as this can cause ESD, shorten LED life, or impact LED performance.
- Some components inside the luminaire may not be serviceable. In the unlikely event your luminaire may require service, stop using it immediately and contact [SanMarcos.TSC@philips.co](mailto:SanMarcos.TSC@philips.co) phone 800-227-0758.
- Always read the luminaires complete installation instructions prior to installation for any additional luminaire specific warnings.
- In the case of HID or Fluorescent luminaires, regular re-lamping is required to keep luminaire operating within safe limits
- **Do not install damaged product.** Handling and installing damaged products can potentially increase the risks mentioned. In case of damage and/or missing parts upon arrival of the luminaire, please contact [SanMarcos.TSC@philips.co](mailto:SanMarcos.TSC@philips.co) phone 800-227-0758.
- These instructions do not purport to cover all details or variations in equipment nor to provide every possible contingency to meet in connection with installation, operation or maintenance. Should further information be desired or should particular problems arise which are not covered sufficiently for the purchaser's or owner's purposes, this matter should be referred to [SanMarcos.TSC@philips.co](mailto:SanMarcos.TSC@philips.co) phone 800-227-0758.
- Please see luminaire specific Installation and Maintenance Instruction for additional warnings or any applicable FCC or regulatory statements. Failure to follow any of these Instructions could void luminaires warranties.

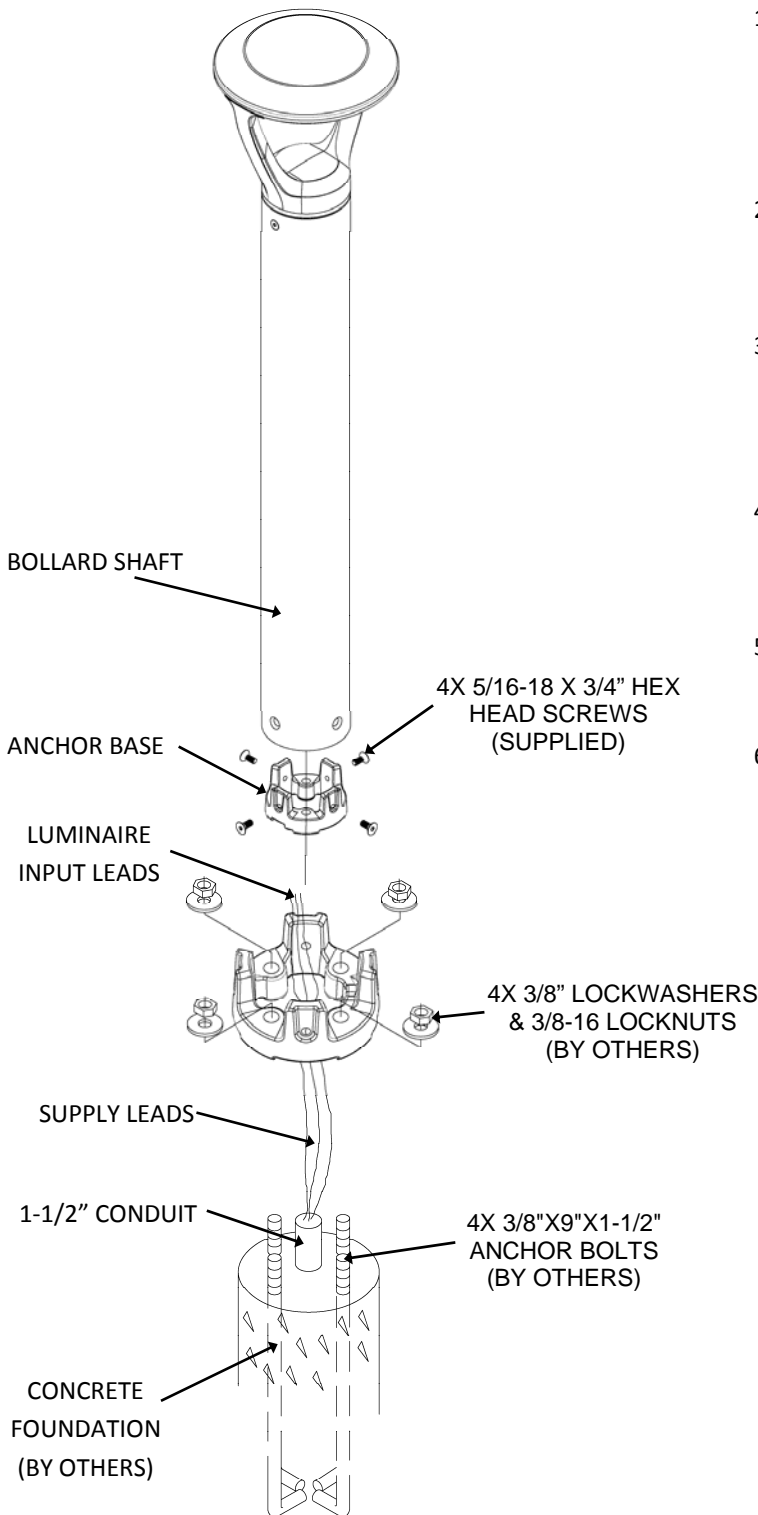
#### Luminaire Maintenance

- Regular luminaire maintenance programs are recommended.
- It is recommended to clean the outside of the luminaire and the refractor/lens.
- Frequency of cleaning will depend on ambient dirt level and minimum light output which is acceptable to user.
- If clean water is not sufficient for cleaning, use a neutral, synthetic, not-scratching and not-abrasive cleaning substance.
- Never use alkaline and/or acetous cleaning substances.
- Make sure that the cleaning substance is carefully removed by rinsing with lots of clean water.
- Philips recommends using a cleaning solution that has a PH between 5 and 8.
- Recycle: For information on how to recycle electronic products and components, please visit [www.epa.gov](http://www.epa.gov).

## STANDARD INSTALLATION

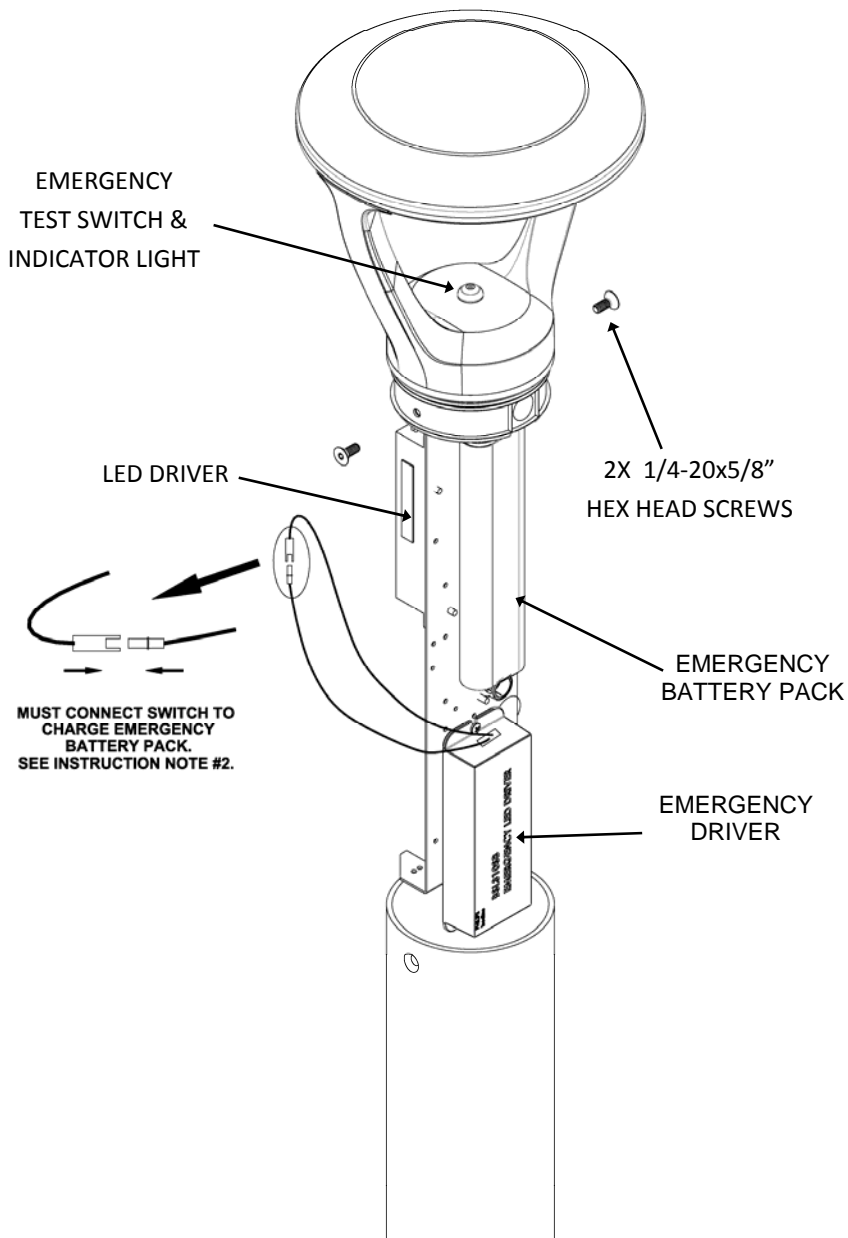
NOTE: ANCHOR BASE IS SECURED TO GROUND WITH 3/8" BOLTS (BY OTHERS). STRUCTURAL MEMBERS MUST BE PRESENT IN GROUND TO ACCEPT BOLLARD BASE. SOME COMPONENTS SEEN IN VIEW MAYBE DIFFERENT FROM THE PRODUCT RECEIVED. LUMINAIRE WILL STILL BE INSTALLED THE SAME AS SHOWN IN INSTRUCTION SHEET.

1. INSTALL FOUR (4) 3/8" X 9" X 1-1/2" ANCHOR BOLTS INTO CONCRETE FOUNDATION (BY OTHERS) UTILIZING TEMPLATE PROVIDED, (SEE BASE DETAIL ON PAGE 4). ENSURE ANCHOR BOLTS PROJECT 1-1/2" ABOVE CONCRETE SURFACE. CONDUIT PROJECTION TO BE 1-1/2" MAXIMUM (BY OTHERS).
2. REMOVE LUMINAIRE FROM SHIPPING CARTON. UNSCREW (4) 5/16-18 X 3/4" HEX HEAD SCREWS FROM BASE OF BOLLARD SHAFT TO DETACH THE ANCHOR BASE.
3. PLACE BOLLARD ANCHOR BASE ONTO THE FOUR PREINSTALLED ANCHOR BOLTS. INSTALL FOUR (4) 3/8" LOCKWASHERS AND FOUR (4) 3/8-16 LOCKNUTS. SECURE ANCHOR BASE IN POSITION BY TIGHTENING LOCKNUTS 20 FT-LBS OF TORQUE.
4. MAKE ELECTRICAL CONNECTIONS. FIXTURE LINE (BLACK) TO SUPPLY LINE, FIXTURE COMMON (WHITE) TO SUPPLY COMMON AND GROUND (GREEN) TO GROUND.
5. PLACE SPLICES AND EXCESS WIRE IN BOLLARD SHAFT. BE SURE TO NOT PINCH WIRES. CAREFULLY SET BOLLARD UPRIGHT ON ANCHOR BASE.
6. ALIGN SCREW HOLES ON SHAFT WITH ANCHOR BASE AND SCREW IN THE FOUR 5/16-18 X 3/4" HEX HEAD SCREWS THAT WERE REMOVED IN STEP 2. TIGHTEN TO 10 FT-LBS OF TORQUE.



## EMERGENCY INSTALLATION

NOTE: PLEASE FOLLOW ALL THE STEPS ON PAGE 2 FOR STANDARD INSTALLATION. ONCE COMPLETED PLEASE FOLLOW THE STEPS BELOW TO ENSURE PROPER INSTALLATION OF THE EMERGENCY BATTERY PACK.



1. UNSCREW (2) 1/4-20x5/8" HEX HEAD SCREWS FROM TOP OF BOLLARD SHAFT TO DETACH THE YOKE AND EXPOSE THE DRIVER BRACKET.
2. COMPLETE THE CONNECTION AS SHOWN BETWEEN THE TWO RED WIRES. THIS MUST BE CONNECTED SO THAT THE EMERGENCY BATTERY PACK STAYS CHARGED.
3. ONCE CONNECTED CAREFULLY SLIDE BOLLARD YOKE WITH ATTACHED DRIVER BRACKET BACK INTO THE SHAFT. MAKE SURE NOT TO PINCH ANY WIRES.
4. ALIGN SCREW HOLES ON YOKE, GASKET, AND SHAFT. TIGHTEN THE TWO 1/4-20x5/8" HEX HEAD SCREWS THAT WERE REMOVED IN STEP 1 TO 10 FT-LBS.
5. ONCE LUMIANIRE IS POWERED ON ENSURE THAT TEST INDICATOR LIGHT TURNS ON. FOR A SHORT TIME TEST (30 SEC) , LET THE UNIT CHARGE FOR AT LEAST AN HOUR BEFORE PRESSING EMERGENCY BUTTON TO ENSURE BOLLARD CAN SWITCH OVER TO EMERGENCY BATTERY POWER.

**MUST CONNECT SWITCH TO CHARGE EMERGENCY BATTERY PACK. SEE INSTRUCTION NOTE #2.**

### ANCHOR BASE TEMPLATE

1:1 SCALE

