

Philips ZVF403 PAD

Mounting instructions

Instructions de montage
Montageanleitung
Montage instructie
Istruzioni di montaggio

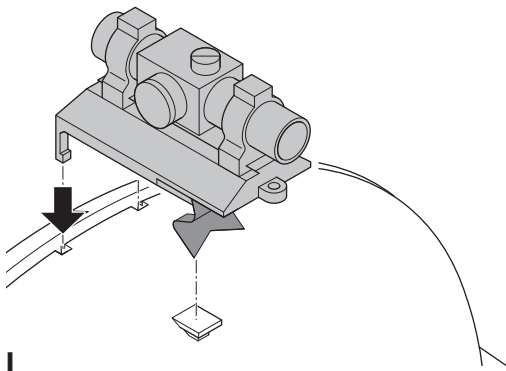
Instrucciones de montaje
Instruções de montagem
Monteringsinstruktioner
Monteringsvejledning

Kokoonpano- ja kiinnitysohjeet
Montaj yönergesi
ΟδηγίεςX ιφξαονομότηθX
Instrukcja montazu

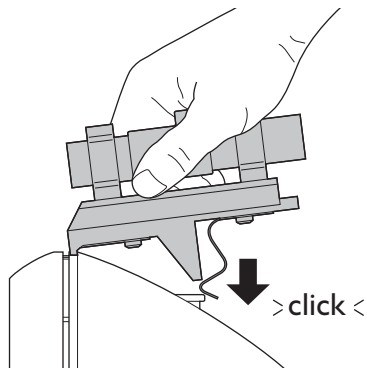
Szerelési utasítások
Návod k montáži
bycnerwbz gj vjvnfe
Návod k montáži



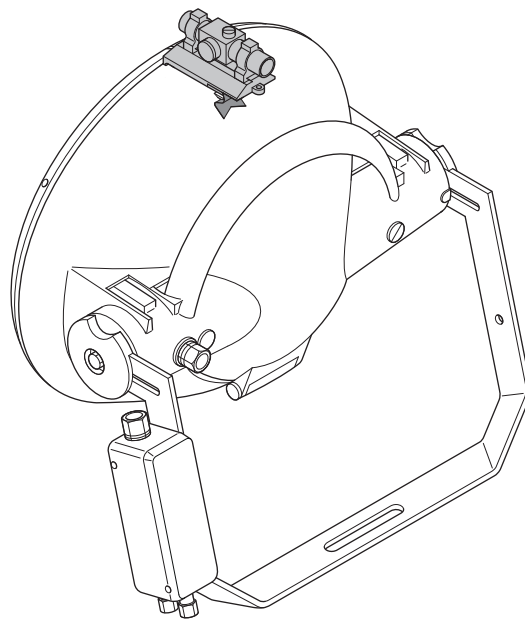
ZVF403 PAD



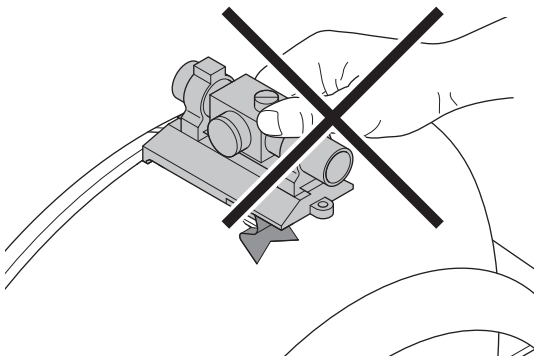
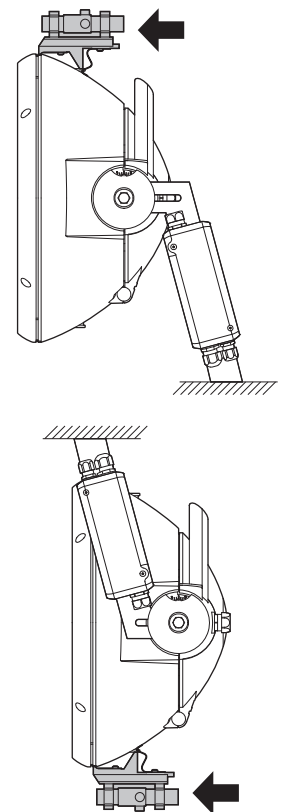
1



2



3



Do not touch the aiming device once fitted.
If touched after being fitted, the alignment
can no longer be guaranteed.
The device must then be removed from
the Luminaire and refitted.