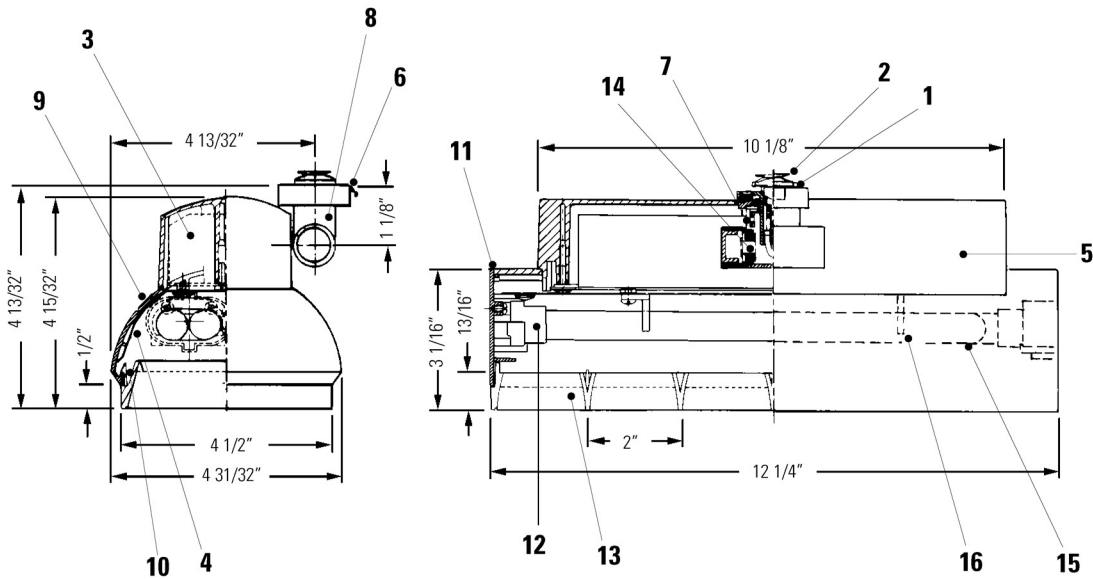


Project: \_\_\_\_\_  
 Location: \_\_\_\_\_  
 Cat.No: \_\_\_\_\_  
 Type: \_\_\_\_\_  
 Lamps: \_\_\_\_\_ Qty: \_\_\_\_\_  
 Notes: \_\_\_\_\_



#### Ordering Information

Catalog No.	Mounting	Finish	Lamps
8276EWH 8276EBK	All Lytespan Track Systems DO NOT attach to stem mounted track (unless used with suspension beam housing) or track mounted with swivel stem (7480, 7481) or wall mounted track.	Matte White Matte Black	2 Lt. 18W (10 1/2") Twin Tube Fluorescent 2G11 Base

# 8276 Lyteflood CFL

## L18 flood track head

### Features

- Attachment Fitting:** Molded polycarbonate integral color, fitting rotates into track and locks on with push tabs.
- Brass Contact:** Extends for connection to 2nd circuit in Advent® Lytespan track.
- Electronic Ballast**
- Reflector:** Specular Plus®\* finish.
- Ballast Housing:** Die-cast aluminum.
- Push Tab:** Locks and detaches unit.
- Pivot Tension Mount:** 355° horizontal rotation.
- Track Adapter Housing:** Die-cast aluminum.
- Body:** Extruded aluminum.
- Louver Tabs:** Molded in, snap into body, holds louver in place.
- End Cap:** Die-cast aluminum.
- Lamp Socket**
- Louver with Parabolic Blades:** Molded ABS, semi-specular finish.

- Pivot Tension Mount:** 0° - 90° vertical rotation.
- (2) 18W Twin Tube:** Compact fluorescent lamps (by others).
- Lamp Support Clip (2)**

### Electrical

2 Lt. Rapid start, high power factor, electronic ballast. Min. starting temp. 0°F. Lampholder and ballast prewired with 105°C 18 ga. wire. Input voltage 120V.

### Finish

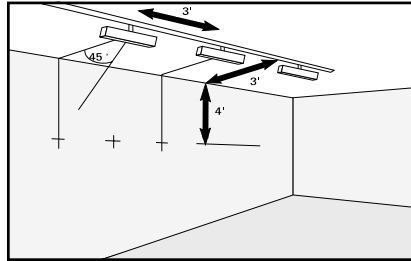
All painted finishes baked enamel.

### Labels

UL, I.B.E.W.

Specular Plus® is a registered trademark of MSC Laminates and Composites Inc.  
Advent® is a registered trademark of Lightolier.

### Lighting Data



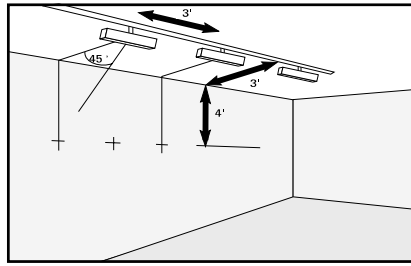
### Footcandles on Wall

Track 2 Feet From Wall		Single Unit						Multiple Units								
		0	1'	2'	3'	4'	5'	← 2' →			← 3' →			← 4' →		
Distance From Ceiling	1'	86	49	14	4	1	1	118	108	118	95	57	95	89	29	89
	2'	65	47	23	9	3	1	117	114	117	84	72	84	72	47	72
	3'	31	26	16	9	4	2	73	73	73	51	48	51	40	35	40
	4'	15	14	10	7	4	2	44	45	44	31	30	31	24	23	24
	5'	9	8	7	5	3	2	30	30	30	21	21	21	16	16	16
	6'	6	5	4	4	3	2	21	21	21	15	15	15	12	12	12
	7'	4	3	3	3	2	2	15	16	15	12	12	12	9	9	9
	8'	3	3	2	2	2	1	12	12	12	9	9	9	7	7	7
	9'	2	2	2	2	1	1	9	10	9	8	8	8	6	6	6

# 8276 Lyteflood CFL

## L18 flood track head

### Lighting Data



### Footcandles on Wall

Track 3 Feet From Wall		Single Unit						Multiple Units			Multiple Units			Multiple Units		
		0	1'	2'	3'	4'	5'	← 3' →			← 4' →			← 5' →		
Distance From Ceiling	1'	53	40	20	8	2	0	67	59	67	55	39	55	52	24	52
	2'	46	39	25	14	7	3	78	74	78	62	55	62	55	40	55
	3'	27	24	17	11	6	3	53	52	53	41	39	41	35	30	35
	4'	17	15	12	9	5	3	38	37	38	29	28	29	24	22	24
	5'	10	9	8	6	4	3	25	25	25	19	18	19	15	14	15
	6'	7	6	5	4	3	2	20	20	20	15	15	15	13	12	13
	7'	4	4	4	3	3	2	14	14	14	11	11	11	9	9	9
	8'	3	3	3	2	2	2	10	11	10	8	8	8	7	7	7
	9'	2	2	2	2	2	1	9	9	9	7	7	7	6	6	6

Track 4 Feet From Wall		Single Unit						Multiple Units			Multiple Units			Multiple Units		
		0	1'	2'	3'	4'	5'	← 4' →			← 5' →			← 6' →		
Distance From Ceiling	1'	31	26	17	10	5	3	42	38	42	37	28	27	34	21	34
	2'	28	24	17	11	6	3	39	36	39	33	27	33	30	20	30
	3'	22	20	15	11	7	4	36	35	36	29	27	30	26	21	26
	4'	15	14	11	9	6	4	29	29	29	24	23	24	21	19	21
	5'	10	10	8	7	5	4	22	22	22	18	18	18	15	15	15
	6'	7	7	6	5	4	3	18	18	18	14	14	14	12	12	12
	7'	5	5	4	4	3	2	13	13	13	11	11	11	9	9	9
	8'	4	4	4	3	3	2	12	12	12	10	10	10	8	8	8
	9'	3	3	3	2	2	2	10	10	10	8	8	8	7	7	7

Values for multiple units are based on a minimum of five units.

