

# PHILIPS

Philips Lighting Company  
200 Franklin Square Drive  
Somerset, NJ 08873  
Phone (US): 855-486-2216  
Phone (CAN): 800-668-9008

## INSTALLATION INSTRUCTIONS: VL71 & VL72 (Fixture)



This fixture is intended for installation in accordance with the National Electrical Code and local code specifications. Failure to adhere to these codes and instructions may result in serious injury and/or damage to the fixture components and void the warranty. These instructions do not purport to cover all details or variations in equipment, nor to provide for every possible contingency related to installation, operation, maintenance, or mounting situation. Should specific problems occur that are not addressed by these instructions, contact your Sales Representative or distributor for assistance. Retain these instructions for future reference.



### SAFETY WARNING:

**ALWAYS TURN FIXTURE OFF/DISCONNECT POWER BEFORE PERFORMING ANY MAINTENANCE!**

Ensure that the AC service is OFF before any installation or maintenance.  
Do not switch service to ON until the entire installation is complete.



### TOOLS REQUIRED:

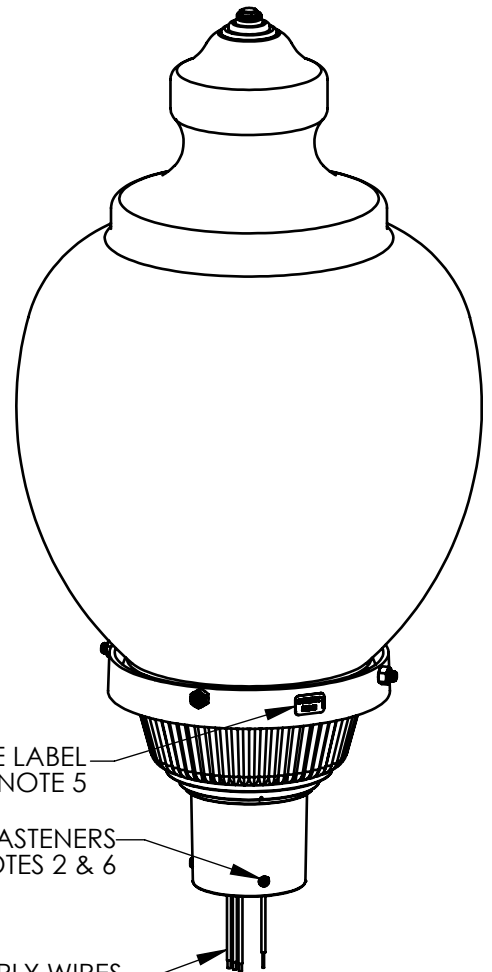
-5/32" Allen Wrench/Driver  
-Torque Wrench capable of 7 ft. lbs. torque

## INSTALLATION:

- 1) **TURN POWER OFF.**
- 2) Loosen pole fasteners on pod, if required.
- 3) Make fixture wiring connections to supply wires (by others)
  - White to White
  - Black to Black
  - Green to Green

**NOTE:** Both green ground wires from fixture should be "bugged" together with incoming supply wire.

- 4) Slip luminaire post fitter onto pole and ensure wires are not being pinched.
- 5) Orient by turning luminaire "street side" via label supplied on globe fitter (pod).
- 6) Torque pole fasteners as follows to 7 ft. lbs.  
**CAUTION!** Over torquing of screws may lead to damage or fatigue of fastener.
- 7) Power to luminaire may now be turned on.



STREET SIDE LABEL  
SEE NOTE 5

POLE FASTENERS  
SEE NOTES 2 & 6

OUT TO SUPPLY WIRES  
SEE NOTE 3



32002016, revision A

# PHILIPS

# PHILIPS

Philips Lighting Company  
200 Franklin Square Drive  
Somerset, NJ 08873  
Phone (US): 855-486-2216  
Phone (CAN): 800-668-9008

## INSTALLATION INSTRUCTIONS: V71 & V72 (Retrofit)



### SAFETY WARNING:

**ALWAYS TURN FIXTURE OFF/DISCONNECT POWER AND ALLOW TO COOL BEFORE PERFORMING ANY MAINTENANCE**



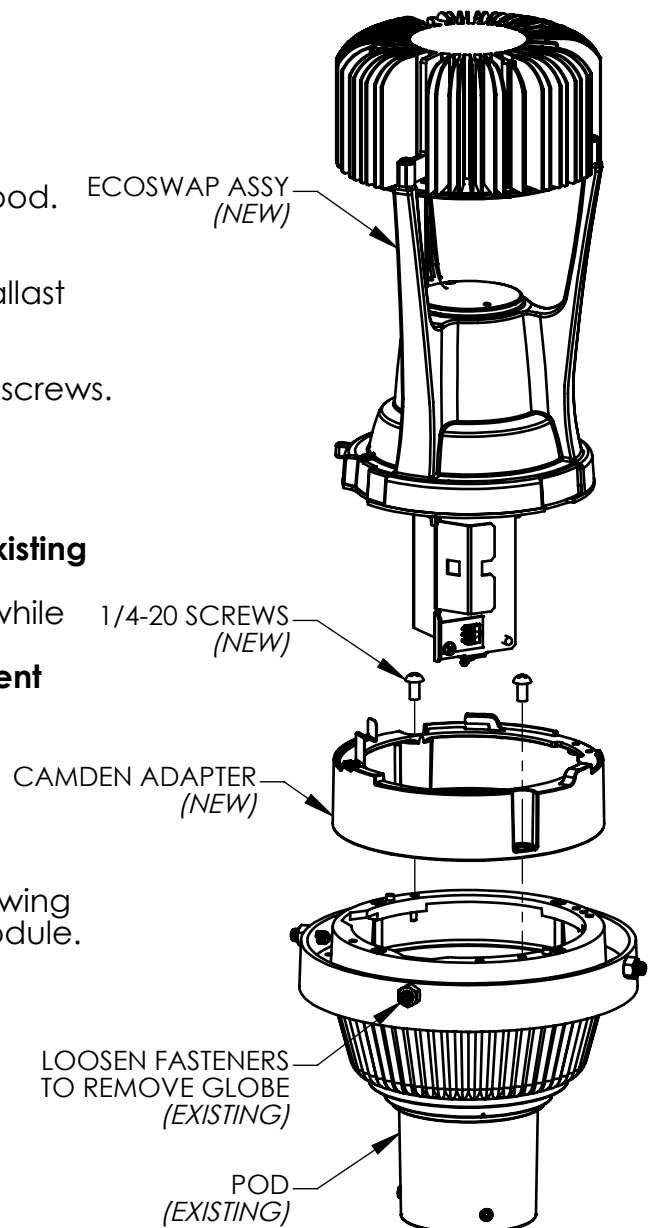
### TOOLS REQUIRED:

- 1/2" Socket/Driver
- 5/32" Allen Wrench/Driver
- Philips Head Screw Driver

### INSTALLATION:

- 1) **TURN POWER OFF.**
- 2) Loosen, but do not remove (4) globe fasteners on pod.
- 3) Lift globe from fixture.
- 4) Remove existing ballast assembly.
  - Push spring clip to release ballast module, twist ballast module counter-clockwise, and lift to remove.
  - Disconnect blue power quick disconnect.
- 5) Remove ballast assembly ring by removing existing screws.
- 6) Remove terminal block and bracket (if applicable)
- 7) Assemble Ecoswap to camden adapter by twisting clockwise until spring clip snaps into place.
- 8) Make proper wiring connections.  
**NOTE: In many cases, you may need to remove existing blue power disconnect to "bug" wires.**
- 9) Install entire unit onto fixture with (2) 1/4-20 screws while ensuring wires are not being pinched.  
**NOTE: For Type 3 distribution modules, rotate to orient "Street Side (SS)" identification located on Ecoswap, toward street.**
- 10) Carefully lower globe onto fixture.
- 11) Tighten (4) globe fasteners to secure globe.

**REFERENCE:** Please see enclosed Power Selection drawing to adjust wattage output of Ecoswap module.



32002016, revision A

# PHILIPS