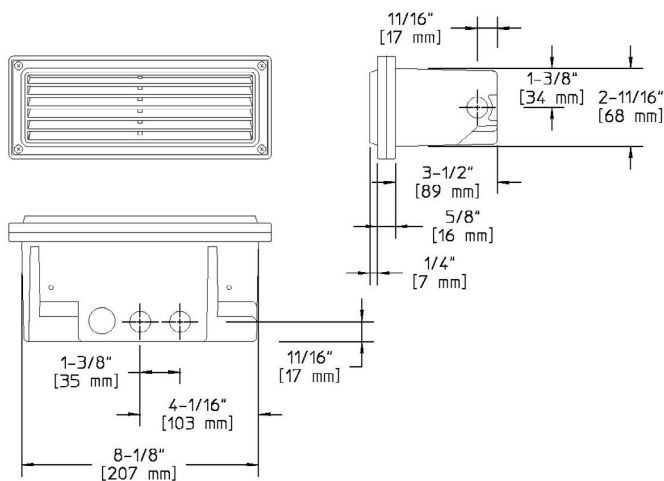


Project: \_\_\_\_\_  
 Location: \_\_\_\_\_  
 Cat.No: \_\_\_\_\_  
 Type: \_\_\_\_\_  
 Lamps: \_\_\_\_\_ Qty: \_\_\_\_\_  
 Notes: \_\_\_\_\_



### Ordering Guide

Example: RSC2 A K5 I E

<b>Product Code</b>	RSC2	Aluminum Steplyte
<b>Finish</b>	A H	Black Bronze
<b>Optics</b>	K5	Symmetric Optics
<b>Wattage</b>	I	40W T10
<b>Voltage</b>	E	120V
<b>Thermal Protection</b>	P	Thermal Protection Device *2

\*2 Thermal protection device is required for installations in drywall, plaster, wood or other non-masonry materials and must be ordered as an option, except for fluorescent. Add the suffix "P" to the catalog to order.

### Specifications

#### HOUSING:

Die-cast aluminum back box contains less than 0.3% copper to prevent corrosion in concrete or masonry applications. Die-cast aluminum trim ring contains less than 0.3% copper to resist corrosion. Die-cast copper-free aluminum with 45° cutoff, with frosted tempered glass. Gasketing is silicone. Fasteners are 300 series stainless steel. Note: Recessed housing contains four (4) 1/2" NPS conduit inlets (two (2) on bottom and one on each side) and internal pull-through wiring compartment.

#### FINISH:

Thermoset polyester powdercoat is electrostatically applied after a five-stage conversion cleaning process and bonded by heat fusion thermosetting. Zinc-rich primer and thermoset powdercoat for durability.

#### OPTICAL ASSEMBLY:

Symmetric reflector is precision formed, steel with a white reflective coating. The cast louver offers lower light levels with cut-off for lighting stairways or general lighting where shielding of the light source is more important than high light levels.

#### LAMPING:

Lower wattage lamps are acceptable.

#### ELECTRICAL ASSEMBLY:

Fixture is pre-wired with 18 AWG black, white, and ground wires. 1141 lamps use an integral 120V/12V transformer.

#### WARRANTY:

Three-year limited warranty.

#### CERTIFICATIONS:

ETL listed to U.S. safety standards for wet locations. cETL listed to Canadian safety standards for wet locations. Manufactured to ISO 9001:2008 Standards. ADA Compliant when used in indoor and outdoor wall applications.

# RSC2 Step light

INC

## Specifications

---

**Height :**

3 1/2" (90mm)

**Width:**

9" (229mm)

**Depth:**

3 1/2" (90mm)

**Max. Weight:**

3.64 lb.

