



DLPE

Standard Series European

Brushed metal panel with LED indicators

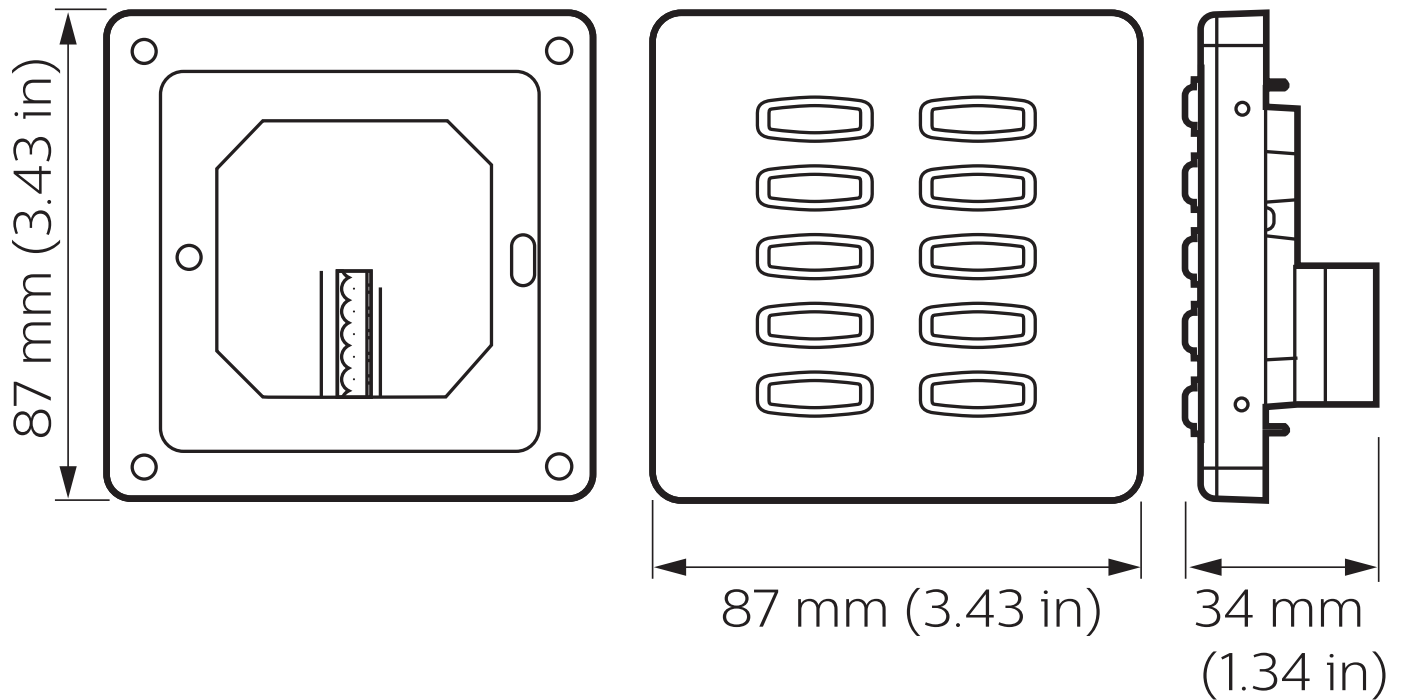
The Philips Dynalite Standard series is beautifully formed and highly functional. Built with the full Philips Dynalite feature set, these simple yet elegant interfaces bring the full power of the automation system to the touch of a button. The DLPE range is suitable for, but not limited to, European, Middle Eastern, African and Asian markets.

DLPE

Brushed metal panel with LED indicators

- **Aesthetically pleasing** – Provides an elegant point for integrated automation in commercial buildings and homes.
- **Available in two configurations** – Single column for up to five buttons, and a dual column design for up to ten buttons, where more complex control is required.
- **Incorporates a miniature DyNet control network socket** – Discreetly located under the snap-on cover, the network socket enables system adjustments and programming from any user interface on the network.
- **Smooth action buttons with blue LED indicators** – Provide tactile and visual feedback and are easily removed for engraving.

Dimensions



Specifications

Due to continuous improvements and innovations, specifications may change without notice.



DLPE
Standard Series European

Electrical

Supply Type	DyNet (SELV / Class 2)
Supply Voltage	12-24 VDC
Supply Current	20 mA

Control

Serial Ports	1 x RS-485
Supported Protocols	DyNet
User Inputs	1-10 x software-configurable buttons
Indicators	Blue indicator LED on each button

Physical

Dimensions (H x W x D)	87 x 87 x 34 mm (3.43 x 3.43 x 1.34 in)
Packed Weight	0.15 kg (0.33 lb)
Construction	ABS plastic grid plate and rear cover Anodized aluminum or stainless steel cover Silicone switch membrane
Serial Ports	1 x 5-way pluggable screw terminal +V, D-, D+, GND, SHLD
Serial Port Conductor Size	2.5 mm ² (#12 AWG) (max)

Environment*

Operating Temperature	0° to 45°C ambient (32° to 113°F)
Storage/Transport Temperature	-25° to 70°C ambient (-13° to 158°F)
Humidity	0 to 90% non-condensing
IEC Pollution Degree	II

Compliance

Certification	CE, RCM, FCC, ICES, UKCA, RoHS
---------------	--------------------------------

* For indoor installation only



Ordering Codes

All Standard Series interfaces are supplied with blue LED indicators, blank charcoal buttons and button bezels, with stainless steel covers.

Standard User Interfaces

1-button	913703044909
2-button	913703045009
5-button	913703045109
6-button	913703045209
7-button	913703045309
10-button	913703045409

Covers & Bezels

1-button cover	913703044909
2-button cover	913703045009
5-button cover	913703045109
6-button cover	913703045209
7-button cover	913703045309
10-button cover	913703045409
Button bezel - charcoal	913703018809

Wiring Adaptors

RJ12D-ADAPTOR (pack of 5) Dual RJ12 connector, downward-facing socket Suitable for DLPE960, DLPE970, DLPE9100	913703069609
RJ12U-ADAPTOR (pack of 5) Dual RJ12 connector, upward-facing socket Suitable for DLPE910, DLPE920	913703069709

Standard Engraving Options

The button shape offers a generous area for text or symbols, ensuring that the function of the button is clearly discernible from normal viewing distances. The following stock options are available:

[blank]	913703019009
1	913703019109
2	913703019309
3	913703019409
4	913703019509
5	913703019609
6	913703019709
7	913703019809
8	913703019909
9	913703033309
10	913703019209
▲	913703042609
▼	913703033409
PROGRAM	913703042509
ON	913703033909
OFF	913703033809
ON/OFF	913703042409
HIGH	913703033509
MED	913703033709
LOW	913703033609

Custom Engraved Button Caps

Contact your local Dynalite representative for details on custom engraving.

Standard Layouts



DLPE910

DLPE920

DLPE950

DLPE960

DLPE970

DLPE9100



© 2021 Signify Holding. All rights reserved. Specifications are subject to change without notice. No representation or warranty as to the accuracy or completeness of the information included herein is given and any liability for any action in reliance thereon is disclaimed. Philips and the Philips Shield Emblem are registered trademarks of Koninklijke Philips N.V. All other trademarks are owned by Signify Holding or their respective owners.