

# Day-Brite

## CFI

by  Signify

### Special Application

LPL series  
low profile sconce

Vandal resistant  
Quad or TT5



Project: \_\_\_\_\_  
 Location: \_\_\_\_\_  
 Cat.No: \_\_\_\_\_  
 Type: \_\_\_\_\_  
 Lamps: \_\_\_\_\_ Qty: \_\_\_\_\_  
 Notes: \_\_\_\_\_

Day-Brite / CFI LPL series low profile sconce features a marine grade extruded aluminum backplate with die-cast aluminum round or square end caps. Its heavy duty construction is designed to meet the demands of extreme environments.

#### Ordering guide

Example: LPL2226R-UNV-F1-1/2-EB

Family	Ends	Voltage	Fasteners	No. of Ballasts	Ballast Type	Options
	–	–	–	<input type="text" value="1/2"/> –	<input type="text" value="EB"/> –	
LPL2226 Nominal 12" Unit with 2-26W Quad PL <sup>1</sup>	S Square R Round	UNV Universal voltage, 120-277V	F1 Allen Head Center Pin Reject	1/2 2-Lamp Ballast	EB Electronic ballast, <10% THD	B94GU/E ER ballast, 40W TT5 only 600-700 lumens <sup>2</sup>
LPL2240 Nominal 24" Unit with 2-40W TT5 <sup>1</sup>		120 120V 277 277V 347 347V	F2 TORX Head Center Pin Reject			GLR Fusing, fast blow AG Agion™ antimicrobial protection in powder coat paint (white finish only) NSF NSF Listed WO White opal polycarbonate lens BK Black finish BZ Bronze finish CS Custom color (provide RAL#) XTR Natatorium environment

#### Footnotes

- <sup>1</sup> Lamps supplied by others.
- <sup>2</sup> Specify voltage.

#### General Notes

- Consult factory for additional configurations.
- Many luminaire components, such as reflectors, refractors, lenses, sockets, lampholders, and LEDs are made from various types of plastics which can be adversely affected by airborne contaminants. If sulfur based chemicals, petroleum based products, cleaning solutions, or other contaminants are expected in the intended area of use, consult factory for compatibility.



# LPL2226/LPL2240 LPL series low profile sconce

Vandal resistant, quad or TT5

## Standards

- ETL (US/Canada)
- Wet location 200 psi spray down listed
- ADA Compliant
- NSF National Sanitation Foundation Approved, Food Zone/Non-Contact and Splash Zone, with NSF option
- Suitable for Natatorium environments with XTR option

## Construction/Finish

- Marine grade extruded aluminum backplate with die cast aluminum end caps.
- End caps available in round or square profiles.
- Stainless steel center pin reject Allen-head fasteners. Other fasteners are available.
- Multi-stage pretreatment process, standard finishes are baked white polyester powder coating. Gloss 85%, reflectance 90%, salt spray 1,000 hrs.

## Lens

- Clear lens is .156" thick positive interlocking, lighting grade, UV stabilized, extruded high impact polycarbonate lens with integral linear prisms.
- White opal lens is also available.
- Lens sealed to the housing ends with EPDM sponge rubber cord and closed cell neoprene gasketing.

## Electrical

- Standard Class P, sound rated A electronic ballasts.

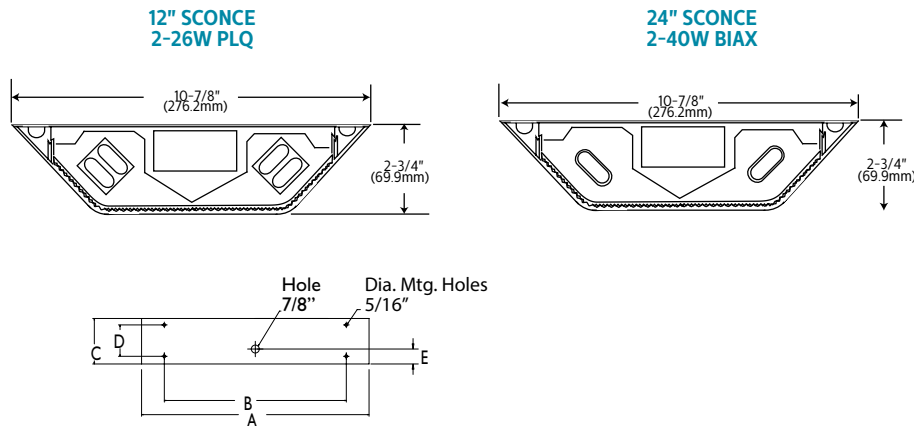
## Installation

- Wall or ceiling mounted individually.

## Option

- Agion® antimicrobial protection using silver technology inhibits bacterial colonization on metal interior or exterior surfaces. Agion® antimicrobial protection is FDA recognized and EPA registered meeting all applicable EPA standards.

## Dimensions



	EndCap	Length	A	B	C	D	E
LPL2226	Square	12"	12.375"	8"	10.875"	7.75"	4.5"
LPL2226	Round	12"	16.75"	8"	10.875"	7.75"	4.5"
LPL2240	Square	24"	27.5"	23.125"	10.875"	7.75"	4.5"
LPL2240	Round	24"	31.875"	23.125"	10.875"	7.75"	4.5"



Some luminaires use fluorescent or high intensity discharge (HID) lamps that contain small amounts of mercury. Such lamps are labeled, "Contain Mercury" and/or the symbol "HG". Lamps that contain mercury must be disposed of in accordance with local requirements. Information regarding lamp recycling and disposal can be found at [www.lamprecycle.org](http://www.lamprecycle.org)

