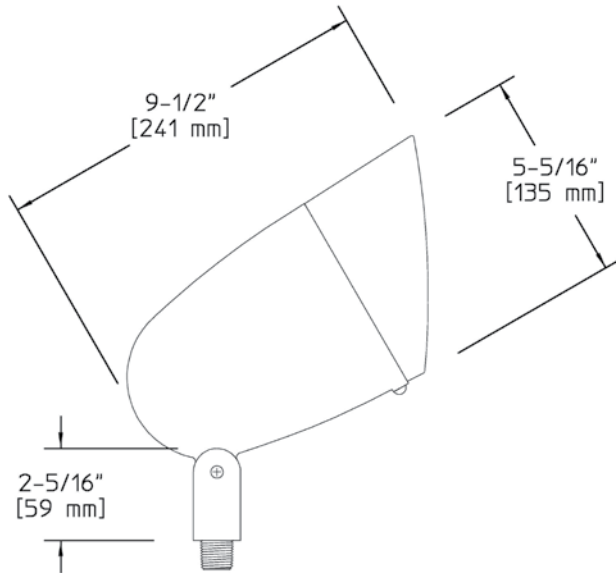


Project: _____
 Location: _____
 Cat.No: _____
 Type: _____
 Lamps: _____ Qty: _____
 Notes: _____



Ordering Guide

Example: BU3 A LED13 NF W

Product Code	BU3	120V LED Line Voltage Composite Bullyte
Finish	A H G	Black Bronze Verde
Source/Lumens	LED13	13W LED *2
Optics	NF	Narrow Flood
CCT	W	Warm

*1 Lamp will be shipped with fixture, but not installed. Lamp not sold separately.
 *2 13W LED only available in (W) warm CCT and (NF) narrow flood optics.

Specifications

HOUSING:

Fully rotatable shroud, gasketed, ULTEM® High Performance Polymer composite. One-piece injection molded ULTEM® High Performance Polymer composite. Fully-adjustable swivel arm with vibration-proof locking teeth. Gasketing is silicone. Fasteners are 300 series stainless steel. 1/2" NPS male threads to screw onto accessory mounting stake or junction box, sold separately.

FINISH:

Composite is textured, pressure formed, molded-in-color.

OPTICAL ASSEMBLY:

Clear tempered glass affixed at 10° angle for natural cleaning.

LAMPING:

13W lamp with 25° beam spread. 25,000 hours life. Color temperature (CCT): warm white (2,700K nominal). No Mercury.

ELECTRICAL ASSEMBLY:

4kv rated porcelain mini-can base. Nickel-plated screw shell with center contact.

WARRANTY:

Ten-year limited warranty.

CERTIFICATIONS:

ETL listed to U.S. safety standards for wet locations. cETL listed to Canadian safety standards for wet locations. Manufactured to ISO 9001:2008 Standards.

Width: 5 5/16" (135mm) **Length:** 9 1/2" (241mm) **Max. Weight:** 2.35 lb.

