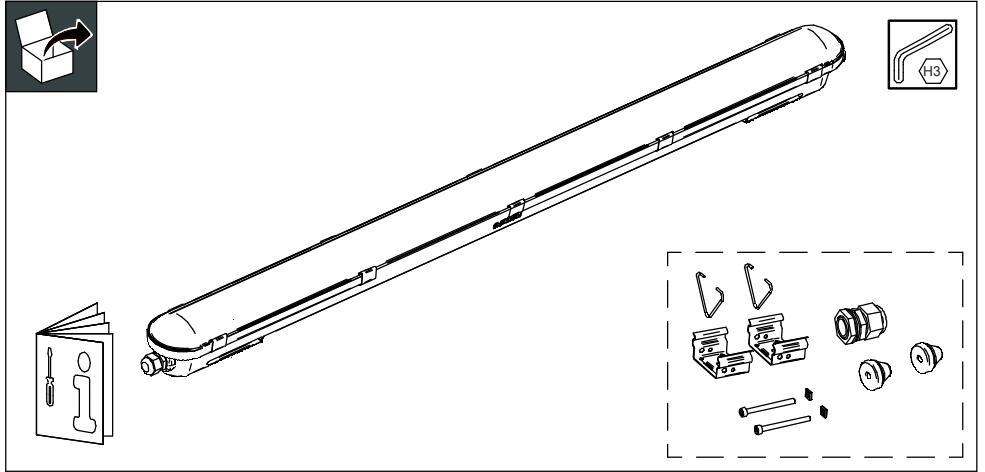


PHILIPS

CoreLine
Waterproof

WT120C



220 V
240 V

50 Hz
60 Hz



Max. 35 °C
Min. -20 °C



LIFETIME
50k HRS



IP65

IK08

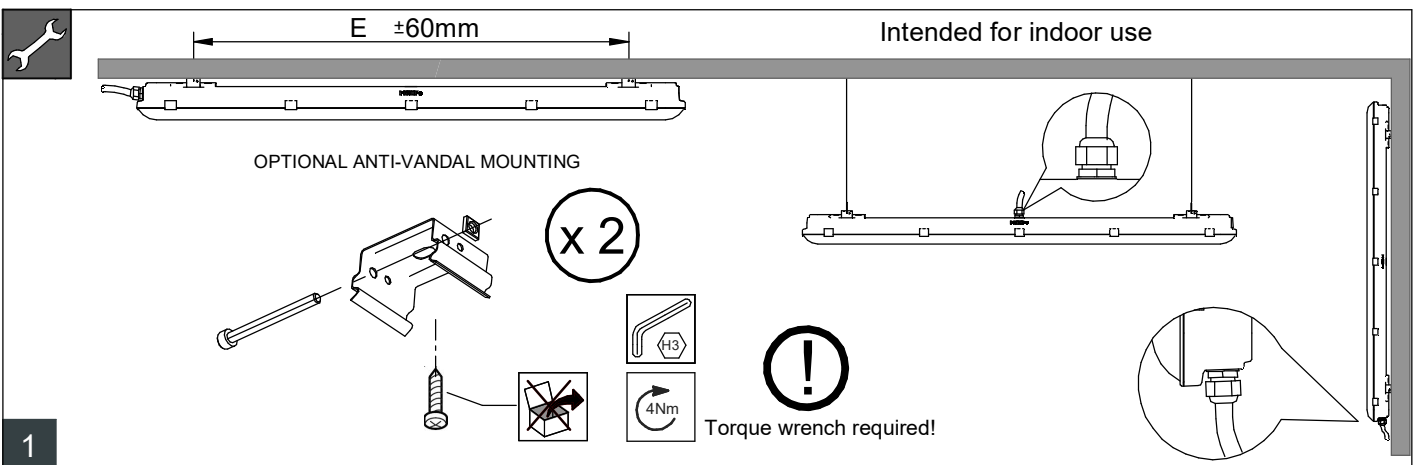


GLOW WIRE
850 °C



	System light output (Lm)	Color temperature (K)	
WT120C LED18S/840 PSU L600	2100	4000	0,93
WT120C LED22S/840 PSU L1200	2900	4000	1,53
WT120C LED40S/840 PSU L1200	4100	4000	1,53
WT120C LED34S/840 PSU L1500	3500	4000	1,82
WT120C LED60S/840 PSU L1500	6000	4000	1,82
WT120C LED80S/840 PSU L1500	8000	4000	1,82

Type	Dimension (mm)						Nr. of clips
	A	B	C	D	E	F	
WT120C LED18S L600	82	661	87	38	388	96	6
WT120C LED22S L1200		1250			960		10
WT120C LED40S L1200		1530			1213		12
WT120C LED34S L1500							
WT120C LED60S L1500							
WT120C LED80S L1500							



! Switch off the power supply before installation

45
30 8

0,75-2,5mm²
Ø5-10mm

! 24
2Nm
Torque wrench required!

2

THROUGH WIRING

Ø 20mm

!

3a

! 24
2Nm
Torque wrench required!

3b

CLICK

4

Use only optical sub-assembly that delivered with housing in one box!

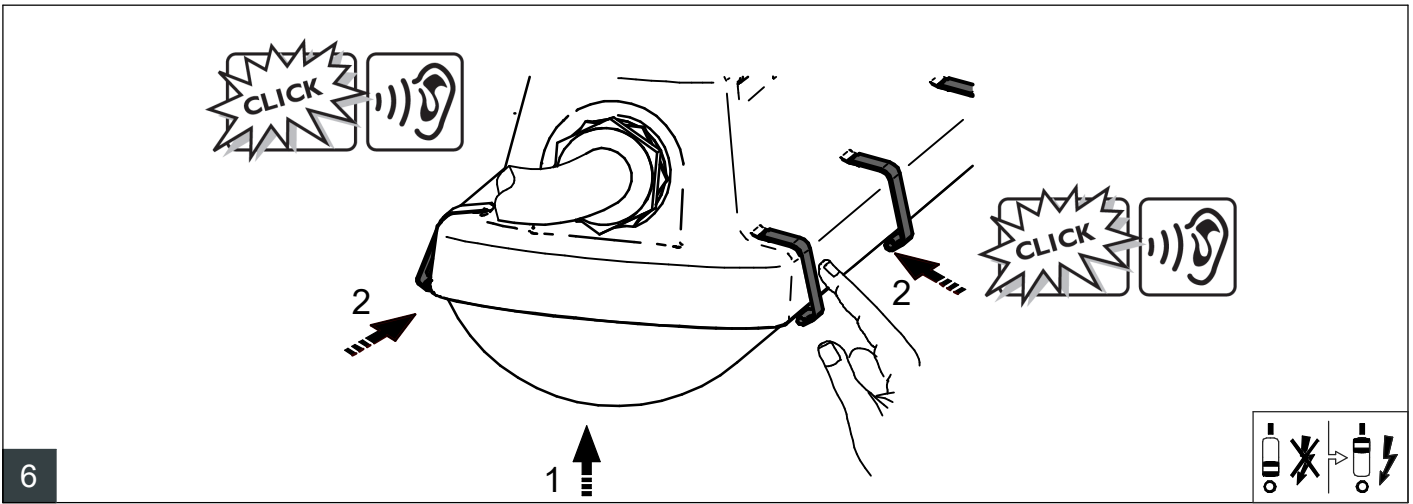
5a

CLICK

5b

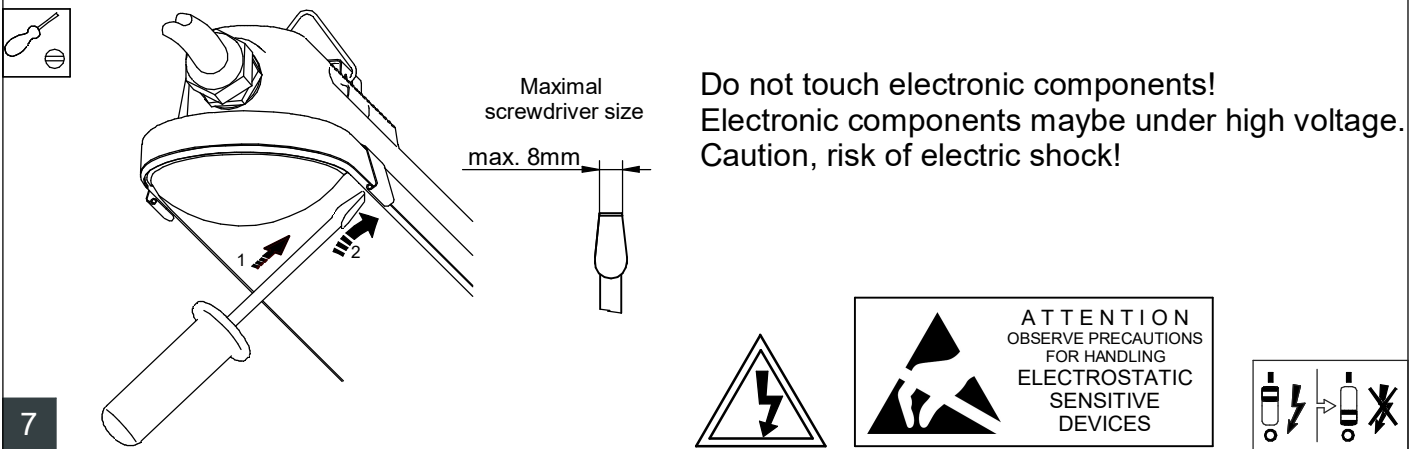
6

Remove protection foil after installation and before usage!

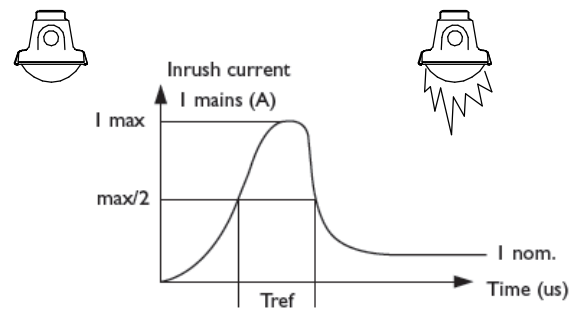


SERVICE (DRIVER REPLACEMENT)

Light source (LED) is non-user replaceable. The light source contained in this luminaire shall only be replaced by the manufacturer or his agent or a similar qualified person.



	LED18S	LED22S	LED34S	LED40S	LED60S	LED80S
I _{peak} [A]	8	8	8	8	8	6,02
T _{width} [μs]	60	60	60	60	60	62
Max. Nr of products						
Drivers / MCB 16A type B [max.]	24	24	24	24	24	18
Drivers / MCB 10A type B [max.]	15	15	15	15	15	11
Drivers / MCB 16A type C [max.]	40	40	40	40	40	30
Drivers / MCB 10A type C [max.]	24	24	24	24	24	18



Maintenance instructions

To assure the lighting quality of this unique LED lighting concept there are only a few instructions regarding the maintenance of this LED luminaire:

- * Do not stare into LED light beam.
- * The luminaire shall be installed by a qualified electrician and wired in accordance with the latest IEE electrical regulations or the national requirements.
- * Above average concentration of sulfur effects the useful lifetime of the product.
E.g: Light color changes from white to blue. Typically in chicken & pig farms.

