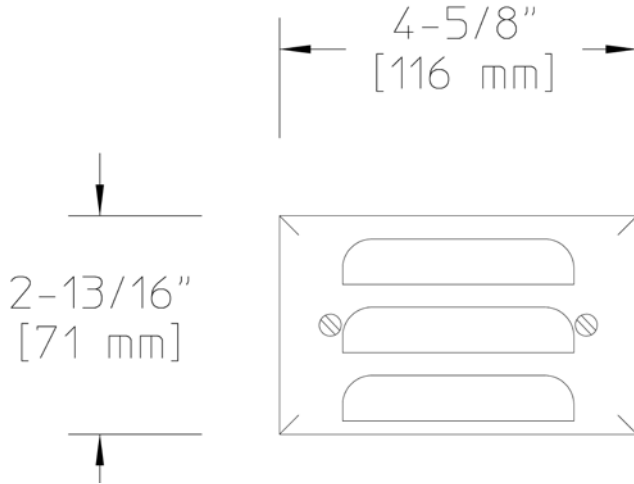


Project: _____
 Location: _____
 Cat.No: _____
 Type: _____
 Lamps: _____ Qty: _____
 Notes: _____



Ordering Guide

Example: RLL2 SS

Product Code	RLL2	Stainless Steel
Finish	SS	Stainless steel (MATTE FINISH)

Specifications

HOUSING:

Stainless steel louvered faceplate with galvanized steel, single gang recessed back box. Fasteners are 300 series stainless steel. Gasketing is diecut neoprene.

FINISH:

Stainless Steel has satin matte finish.

OPTICAL ASSEMBLY:

Frosted tempered glass lens. Specular aluminum segmented reflector assembly.

LAMPING:

12W maximum S-8 (93) lamp. Lamp is included with fixture. Lower wattage lamps are acceptable.

ELECTRICAL ASSEMBLY:

Single contact bayonet (S-8). 12 volt fixture is pre-wired with 6-ft. pigtail of 18-2 AWG, 105° C, SPT-1W wire. Low voltage quick connector, catalog #LVC3 included for easy hook-up to the low voltage supply cable, not included. 12 Volt system requires remote transformer, not included.

WARRANTY:

Three-year limited warranty.

CERTIFICATIONS:

Manufactured to ISO 9001:2008 Standards.

Height :

2 13/16" (71mm)

Width:

4 5/8" (116mm)

Depth:

2 3/4" (70mm)

Max. Weight:

1.2 lb

