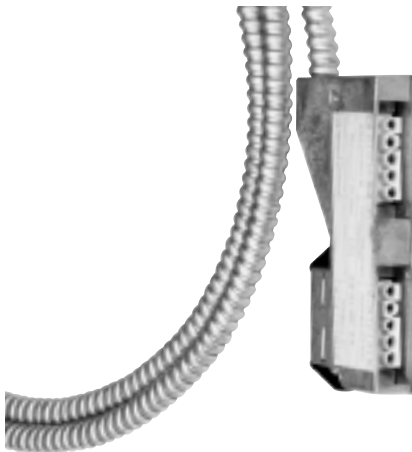
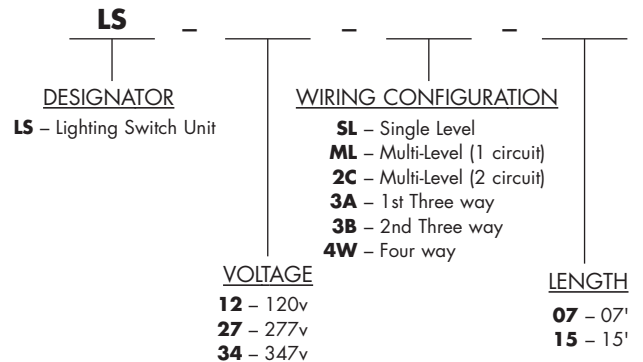


LIGHTING SWITCH UNIT



SAMPLE CATALOG NUMBER: LS-27-ML-15



APPLICATION

- The single-level, multi-level, two circuit and single-level first 3-way switching units provide power-in/power-out and switched power-out for local line voltage lighting control.
- The second 3-way and 4-way switching units provide switched power-in and switched power-out only for local line voltage lighting control.

ELECTRICAL

- UL/cUL listed.

CONSTRUCTION

- Unit is low profile, 5-5/8" x 3-1/8" x 13/16".
- Die cast housing with zinc plated steel cover plate.
- Internal wires are #12 AWG THHN stranded copper, 600 volt, plus a bare #12 AWG solid tinned copper ground conductor.
- Switch leg conductors are #12 AWG THHN solid copper, 600 volt, plus a bare #12 AWG solid tinned copper ground conductor.
- 6 inch tap leads.
- 1/2" K.O. connector for mounting to junction box.

Job Name:

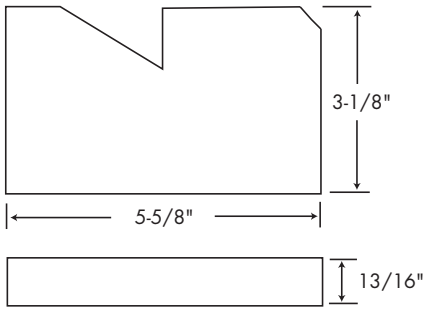
Catalog Number:

Type:

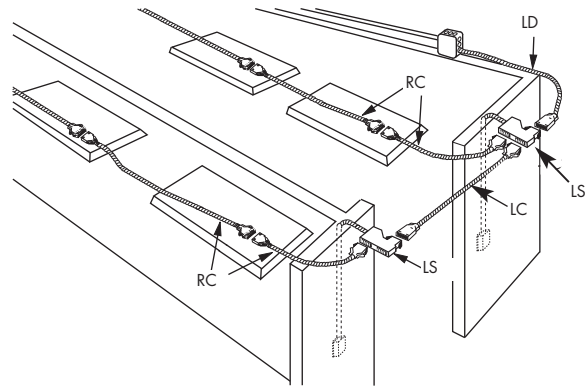
Notes:

ecc 1030

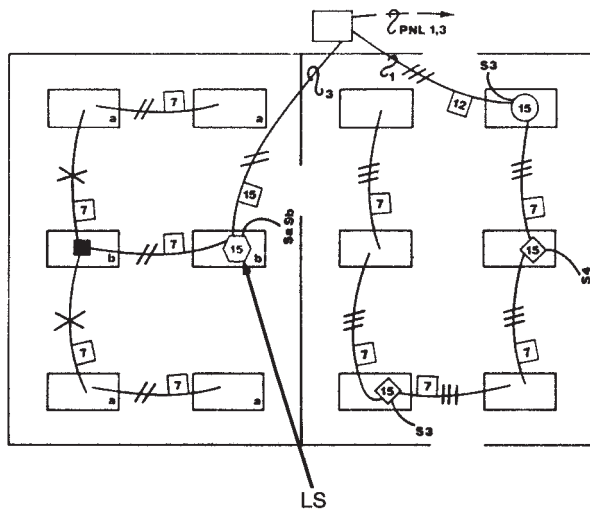
DIMENSIONS



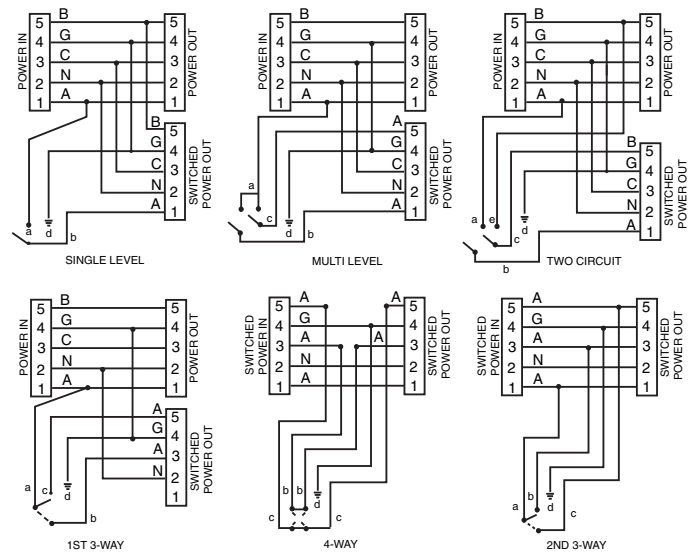
APPLICATION



WIRING



WIRING DIAGRAM



WIRING COLOR LEGEND	
120v	277v
a Black	a Orange
b Purple	b Purple
c Pink	c Pink
d Ground	d Ground
e Red	e Brown