

INSTALLATION INSTRUCTIONS: LED STEPLYTE

Figure 1:

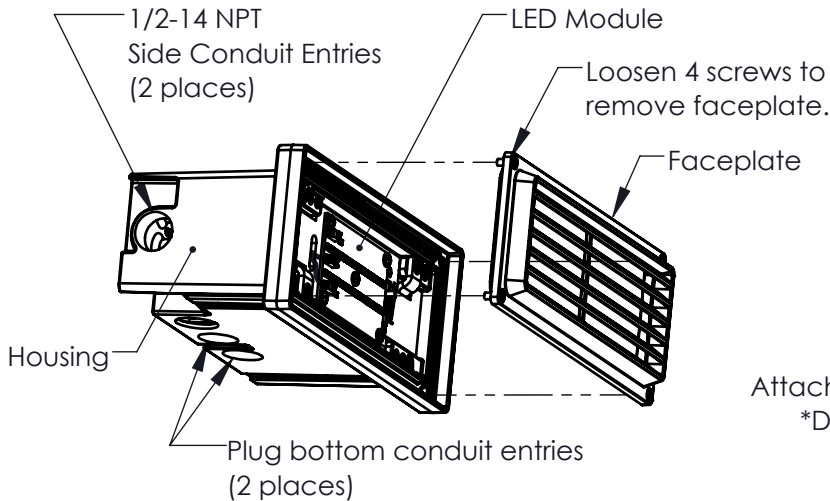
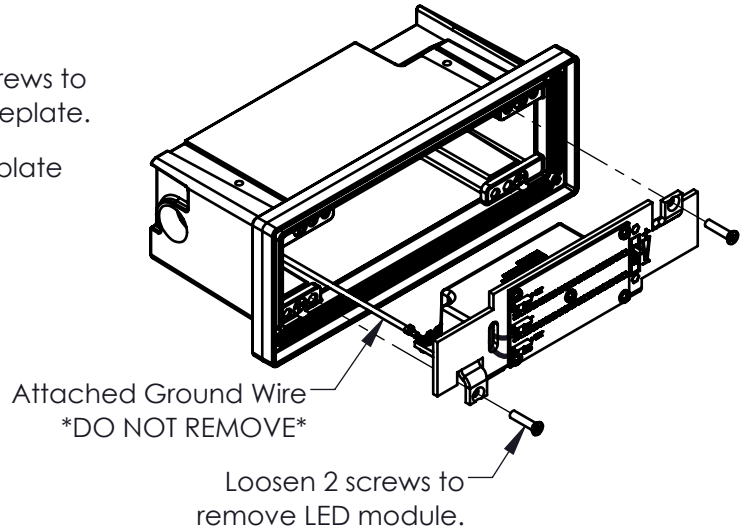


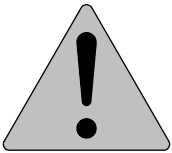
Figure 2:



Lumen Output Table								
Switch Output Settings	RSC2		RSF2		RSS2		RSV2	
	Warm** (3000K)	Cool (4000K)	Warm** (3000K)	Cool (4000K)	Warm** (3000K)	Cool (4000K)	Warm** (3000K)	Cool (4000K)
9.2W (5)*	179	175	85	86	427	435	153	156
8.0W (4)	158	154	75	76	376	383	135	137
6.2W (3)	122	119	58	58	290	296	104	106
4.4W (2)	85	83	40	41	203	206	73	74
2.7W (1)	46	45	22	22	110	112	39	40

*Factory pre-set switch level.

** Factory default CCT level.



This fixture is intended for installation in accordance with the National Electrical Code and local code specifications. Failure to adhere to these codes and instructions may result in serious injury and/or damage to the driver and void the warranty. These instructions do not purport to cover all details or variations in equipment, nor to provide for every possible contingency related to installation, operation, maintenance, or mounting situation. Should specific problems occur that are not addressed by these instructions, contact your Sales Representative or distributor for assistance. **SAVE THESE INSTRUCTIONS** for future reference.



SAFETY WARNING:

ALWAYS TURN FIXTURE OFF/DISCONNECT POWER AND ALLOW TO COOL BEFORE PERFORMING ANY MAINTENANCE, INCLUDING CLEANING!

To help prevent premature failure, decreased performance, overheating and risk of fire, keep fixture and lens clean and free of leaves, mulch, debris and mineral deposits from water. The fixture and lens can be cleaned using a soft cloth and a solution of mild liquid soap and warm water. Wipe clean and dry with a soft, lint-free dry cloth. Avoid polishing fixture or lens.

DO NOT INSTALL FIXTURE WITHIN 10 FEET (3.05 METERS) OF A POOL, SPA OR FOUNTAIN.

INSTALLATION INSTRUCTIONS

1. Make sure power is turned OFF before installing or servicing this fixture.
2. This fixture must be mounted according to the installation instruction sheet, 32000853. Mounting templates and instructions on how to use the mounting accessories are provided with those instructions.
3. To access the wiring compartment and finish the installation, the fixture must be partially disassembled.
 - Loosen the four screws on the faceplate, as shown in Figure 1, to remove the faceplate.
 - Remove the two screws indicated in Figure 2 to remove LED/driver assembly.
4. Connect conduit to housing. NOTE: Only use side conduit entries and plug both bottom conduit entries (and unused side conduit entry, if applicable) as shown in Figure 1.
5. Pull wires from conduit into the housing and connect to LED driver module.
 - Connect black (line) supply wire to black wire on LED driver using wire nut.
 - Connect white (neutral) supply wire to white wire on LED driver using wire nut.
 - Connect green (ground) supply wire to copper ground wire inside housing using wire nut.
 - If using an external dimming device, connect appropriately to existing [2] wago connectors.
6. Adjust lumen output by sliding the switch to the desired setting. Factory default is setting 5 (9.2W). There are [5] different settings ranging from 2.7W to 9.2W. See chart on Page 1 for approximate lumen values. Heatsink has a "+" and "-" symbol to illustrate wattage level. See Figure 3. If using external dimming, then switch must be in position of setting 5.
7. Adjustment of LED color temperature from 3000k warm (factory preset) to 4000k cool is optional. To change CCT color, use a small tool (screw driver, ball point pen, etc.) and remove red driver wire from bottom board connector (WW) by pressing on connector tab as indicated in Figure 3 to release wire. Then slide red wire into top connector (CW).
8. Reassemble the fixture.
 - Install LED/driver assembly in housing and secure in place with two screws previously removed.
 - Position faceplate on front of fixture and tighten the four screws to seal fixture.
9. Turn power ON.

WARNING: DO NOT TOUCH LEDS!! IMPROPER HANDLING MAY CAUSE DAMAGE .

