

INSTALLATION INSTRUCTIONS

HEAVY DUTY INDUSTRIAL

PAGE 1 OF 2

CAUTION: THE INSTALLATION AND SERVICING OF THIS PRODUCT SHOULD BE PERFORMED BY A QUALIFIED ELECTRICIAN OR SERVICE PERSONNEL
ATTENTION : L'INSTALLATION ET L'ENTRETIEN DE CE PRODUIT DOIVENT ÊTRE EFFECTUÉS PAR UN ÉLECTRICIEN OU UN MEMBRE DU PERSONNEL QUALIFIÉ.

INSTRUCTIONS FOR ROW MOUNTING

BEGINNING THE ROW

STEP 1: ATTACH HANGER TO STRUCTURAL MEMBER WITH 1/4" BOLTS.

STEP 2: HANG FIRST FIXTURE BY SLIDING FIXTURE TO DESIRED LOCATION AND TIGHTENING HANGER SCREW TO SECURE HANGER TO FIXTURE. (FIG. 1)

STEP 3: REMOVE FIRST WIREWAY IN ROW USING 1/4" HEX HEAD DRIVER AND FEED INCOMING POWER SUPPLY LEADS INTO FIXTURE THROUGH DESIRED KNOCKOUT. (FIG. 2)

STEP 4: ATTACH INCOMING POWER SUPPLY LEADS TO PROPER LEADS OF BALLAST.

NOTE: IF FIXTURE IS SUPPLIED WITH POWER CONNECT OPTION, CONNECTOR AT BEGINNING OF ROW SHOULD BE CUT OFF, STRIPPED AND HARD WIRED TO INCOMING POWER SUPPLY WIRES.

CONTINUING THE ROW

STEP 1: HANG NEXT FIXTURE AS NOTED IN "BEGINNING THE ROW".

NOTE: IF FIXTURE IS SUPPLIED WITH POWER CONNECT OPTION, CONNECT PLUGS AT THE END OF THE FIXTURE BEFORE SECURING FIXTURES TOGETHER.

STEP 2: ALIGN WITH PREVIOUS FIXTURE BY ALIGNING THE SCREW HOLES AT THE TOP OF EACH FIXTURE AS SHOWN IN FIG.3.

STEP 3: ATTACH FIXTURES USING THREAD CUTTING SCREWS PROVIDED.

SLIDING HANGER

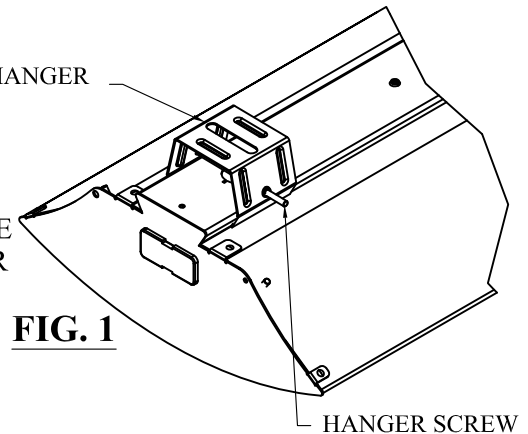


FIG. 1

HOUSING

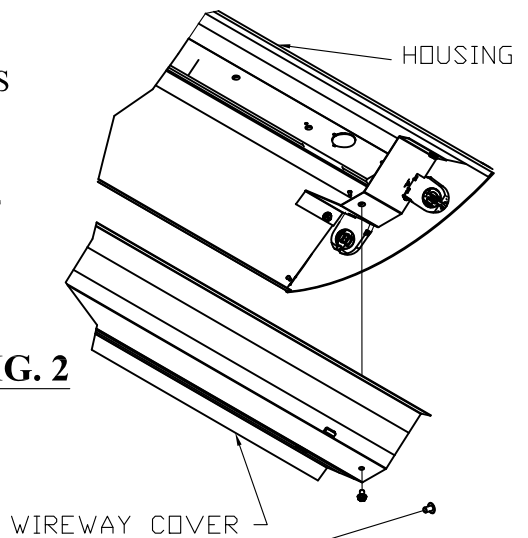
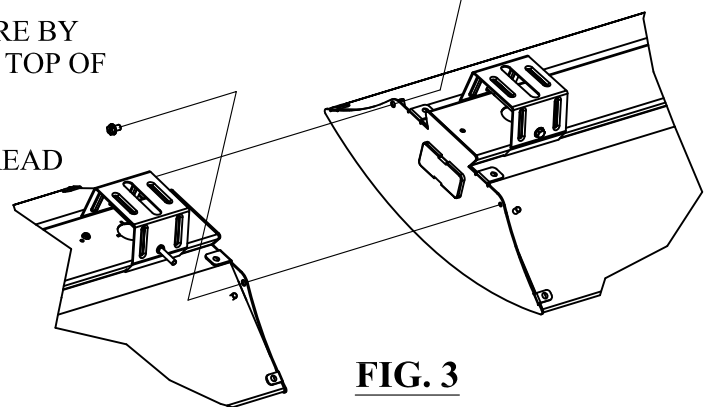


FIG. 2



CAUTION: Electrical luminaires are designed for permanent installation in ordinary (Non-Hazardous) locations in accordance with the National Electrical Code and all applicable local codes. Do not use in areas of limited ventilation or in high ambient enclosures. The lamp and luminaire operate at high temperatures, contact with combustible materials can cause fire and personal contact can cause severe burns.

ATTENTION: Ce luminaire a été conçu pour une installation permanente dans un emplacement régulier (non dangereux) et en conformité avec le Code électrique canadien et codes locaux applicables. Ne jamais installer dans un endroit où la ventilation est limitée ou dans des boîtiers où la température ambiante est très élevée. La lampe et le luminaire fonctionnent à des températures élevées, un contact avec des matériaux combustibles peut engendrer un incendie et un contact corporel peut causer de sévères brûlures.

Day-Brite
CFI

Signify North America Corporation
200 Franklin Square Drive
Somerset, NJ 08873, USA
Phone: 855-486-2216
www.day-brite.com

Signify Canada Ltd./Signify Canada Ltée.
281 Hillmount Road
Markham ON, Canada L6C 2S3
Phone: 800-668-9008
www.cfi-lighting.com

443580048551
AUGUST, 2018

INSTALLATION INSTRUCTIONS

HEAVY DUTY INDUSTRIAL

CAUTION: THE INSTALLATION AND SERVICING OF THIS PRODUCT SHOULD BE PERFORMED BY A QUALIFIED ELECTRICIAN OR SERVICE PERSONNEL
ATTENTION : L'INSTALLATION ET L'ENTRETIEN DE CE PRODUIT DOIVENT ÊTRE EFFECTUÉS PAR UN ÉLECTRICIEN OU UN MEMBRE DU PERSONNEL QUALIFIÉ.

PAGE 2 OF 2

COMPLETING THE ROW

ATTACH DECORATIVE ENDS TO ROW ENDS (FIG. 4) BY SNAPPING INTO END OF FIXTURE.

NOTE: IF FIXTURE IS SUPPLIED WITH POWER CONNECT OPTION, CAP END OF WIRING HARNESS WITH CONNECTOR CAP. (SINGLE UNIT FIXTURES DO NOT HAVE DECORATIVE END CAPS.)

DECORATIVE END CAP

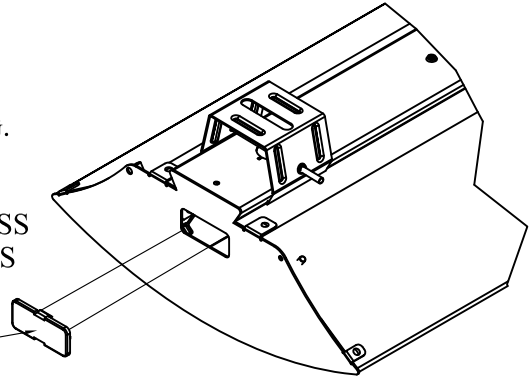


FIG. 4

NOTE (ONLY FIXTURES WITH SILVER INSERT REFLECTORS):

IN ORDER TO ACCESS THE BALLAST COMPARTMENT BOTH THE WIREWAY COVER AND THE REFLECTOR HAS TO BE REMOVED. TO REMOVE TO INSERT PUSH REFLECTOR AWAY FROM TABS IN THE WIREWAY COVER, PULL THE REFLECTOR OVER THE TABS TO FREE THE REFLECTOR AND SLIDE THE REFLECTOR OUT. ALL LAMPS SHOULD BE REMOVED BEFORE TRYING TO REMOVE THE REFLECTOR. (FIG 5)

TABS ON WIREWAY COVER (FOR INSERT INSTALLATION)

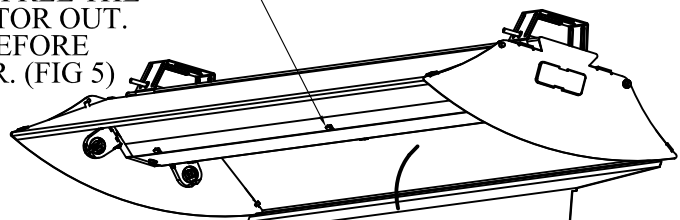


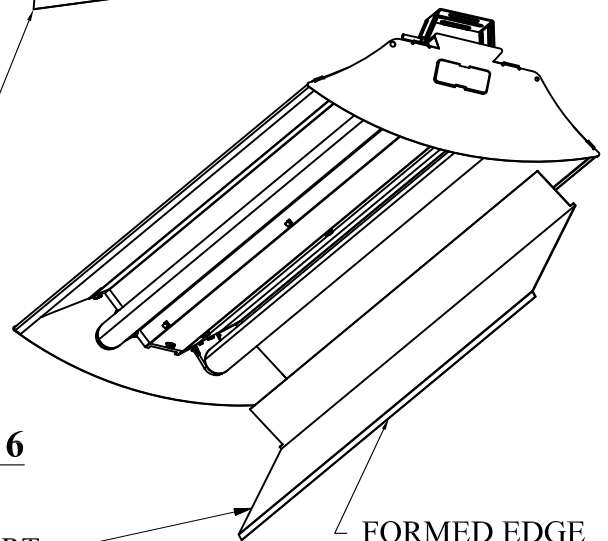
FIG. 5

TO INSTALL A SILVER INSERT TO AN EXISTING FIXTURE:

- 1.) REMOVE PROTECTIVE FILM FROM INSERT.
- 2.) LAMP REMOVAL IS NOT NECESSARY.
- 3.) POSITION THE INSERT AS SHOWN IN FIG. 6.
- 4.) ROTATE INSERT AROUND LAMP UNTIL TABS ON THE WIREWAY COVER ARE ENGAGED.
- 5.) SNAP FORMED EDGE UNDER THE FORMED LIP ON FIXTURE
- 6.) REPEAT PROCESS FOR OPPOSITE SIDE.

FIG. 6

SILVER INSERT



FORMED EDGE

CAUTION: Electrical luminaires are designed for permanent installation in ordinary (Non-Hazardous) locations in accordance with the National Electrical Code and all applicable local codes. Do not use in areas of limited ventilation or in high ambient enclosures. The lamp and luminaire operate at high temperatures, contact with combustible materials can cause fire and personal contact can cause severe burns.

ATTENTION: Ce luminaire a été conçu pour une installation permanente dans un emplacement régulier (non dangereux) et en conformité avec le Code électrique canadien et codes locaux applicables. Ne jamais installer dans un endroit où la ventilation est limitée ou dans des boîtiers où la température ambiante est très élevée. La lampe et le luminaire fonctionnent à des températures élevées, un contact avec des matériaux combustibles peut engendrer un incendie et un contact corporel peut causer de sévères brûlures.

Day-Brite

CFI

Signify North America Corporation
200 Franklin Square Drive
Somerset, NJ 08873, USA
Phone: 855-486-2216
www.day-brite.com

Signify Canada Ltd./Signify Canada Ltée.
281 Hillmount Road
Markham ON, Canada L6C 2S3
Phone: 800-668-9008
www.cfi-lighting.com

443580048551

AUGUST, 2018