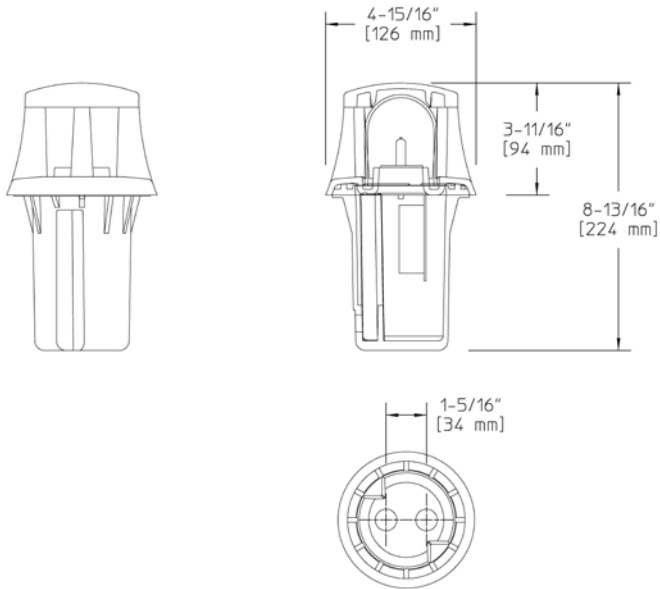


Project: _____
 Location: _____
 Cat.No: _____
 Type: _____
 Lamps: _____ Qty: _____
 Notes: _____



Ordering Guide

Example: DWC1 A

Product Code	DWC1	Beacon
Finish	A	Black

Spacing Chart

Specifications

HOUSING:

Single-piece compression molded fiberglass reinforced polyester composite, factory pressure tested to ensure water will not wick or leak through. Single-piece molded silicone gasket to prevent water, dust, and insect filtration. Fasteners are 300 series stainless steel. Two (2) 1/2" conduit inlets at bottom. Note: Watertight connectors and potting compound (by others) must be used to maintain a watertight seal at conduit entry points.

FINISH:

Composite is textured, pressure formed, molded-in-color.

OPTICAL ASSEMBLY:

Frosted borosilicate glass.

LAMPING:

20W maximum T3 bi-pin lamp. Lamp is included with fixture. Lower wattage lamps are acceptable.

ELECTRICAL ASSEMBLY:

Bi-pin socket type (G4) with 250° C high temperature teflon coated wire leads. 120VAC, 60Hz input to step-down transformer. 12VAC output to fixture, for use with low voltage lamps. Fixture is pre-wired with 18 AWG black, white, and ground wires.

WARRANTY:

Ten-year limited warranty.

CERTIFICATIONS:

ETL listed to U.S. safety standards for wet locations. cETL listed to Canadian safety standards for wet locations. Manufactured to ISO 9001:2008 Standards.

Height : 8 3/16" (224mm) **Width:** 4 15/16" (126mm) **Max. Weight:** 2.5 lb.

