

# Day-Brite

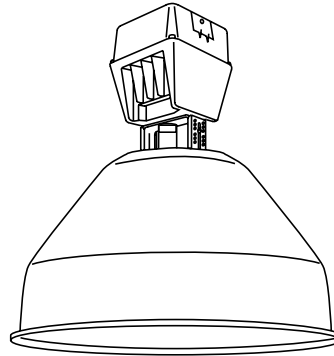
## CFI

by Signify

### Industrial

HBO high bay

Aluminum reflector  
1000W MH, 1000W HPS,  
875W PSMH



Project: \_\_\_\_\_  
Location: \_\_\_\_\_  
Cat.No: \_\_\_\_\_  
Type: \_\_\_\_\_  
Lamps: \_\_\_\_\_ Qty: \_\_\_\_\_  
Notes: \_\_\_\_\_

Day-Brite / CFI HBO high bay features open spun aluminum reflectors for maximum efficiency in general purpose retail, educational and industrial applications.

#### Ordering guide

Example: HBO10XMMT A24

Ballast Assembly	Wattage	Lamp Source	Voltage	Options	Optical	Optical Options
<b>HBO</b>			—			
<b>HBO</b>	<b>750</b> 750 <sup>30</sup> <b>875</b> 875 <sup>30</sup> <b>10X</b> 1000 <sup>33</sup>	<b>M</b> Metal Halide <b>S</b> High Pressure Sodium <b>P</b> Pulse Start Metal Halide (PSC Ballast option must also be specified)	<b>12</b> 120 <b>20</b> 208 <b>24</b> 240 <b>27</b> 277 <b>34</b> 347 <b>48</b> 480 <b>MT</b> 120/208 240/277 <b>TT</b> 120/277 347 <b>5T</b> 120/208/240/ 277/480 <sup>99</sup>	<b>CUL</b> UL Listing to meet CSA standards <b>OR</b> Open Rated Socket (required for metal halide and pulse start metal halide lamps) (Excursionary "pink" socket) <b>PSC</b> Pulse Start CWA Ballast <b>Q</b> Quartz Standby <b>QEM</b> Quartz Emergency <sup>40</sup> <b>QTD</b> Quartz Time Delay <b>WDF</b> Wired Double Fuse <sup>45</sup> <b>WSF</b> Wired Single Fuse <sup>46</sup> <b>65</b> 65°C Ambient <b>NFZ</b> Non Food Zone	<b>A24</b> Open 24" Aluminum Reflector (MH only) <b>A24S</b> Open 24" Aluminum Reflector (HPS only)	<b>WT</b> Reflector finished inside and out with white polyester powder coating

#### Accessories (order separately)

**24BE** Flat Tempered 24" Glass Bottom Enclosure  
**CH** Cover Half for Power Hook (use with PB)  
**PB** Power Box for Power Hook (use with CH)  
**HP12-3** 3' Hook-Cord-Plug Assembly 120V  
**HP25-3** 3' Hook-Cord-Plug Assembly 208-240V  
**HP27-3** 3' Hook-Cord-Plug Assembly 277V  
**HP48-3** 3' Hook-Cord-Plug Assembly 480V  
**HMR** Suspension Hook Male  
**LMR** Suspension Loop Male  
**SCB3** Ballast Retainer Chain 3'  
**WGN24** Wire Guard  
(Refer to Section 18000 for additional accessories.)

#### Footnotes

<sup>30</sup>Pulse Start Metal Halide Only.  
<sup>33</sup>Not available in Pulse Start Metal Halide.  
<sup>40</sup>Requires 120 volt secondary power supply.  
<sup>45</sup>Use with 208, 240, and 480 volt.  
<sup>46</sup>Use with 120, 277, and 347 volt..  
<sup>99</sup>Consult factory for availability.

#### General Notes

- All accessories are field installed.
- Mogul base lamp only.
- All options factory installed.
- Use "O" rated, protected metal halide lamps only.
- Ballast assembly and optical assembly to be ordered and shipped separately.
- For open luminaires, open rated lamp and excursionary socket "OR" option are required to meet National Electrical Code.

**WARNING:** Many Metal Halide lamps are rated for enclosed luminaires only. Some lamps are specifically rated for open luminaires and require an open rated socket (option code - "OR"). Refer to and follow the lamp manufacturer's warnings and instructions.



Standard Metal Halide  
Between 175W and 400W  
Not available in USA



# HBO High bay

Aluminum reflector, 1000W MH, 1000W HPS, 875W PSMH

## Application

- HBO high bay Luminaire features open spun aluminum reflectors for maximum efficiency in general purpose retail, educational and industrial applications.

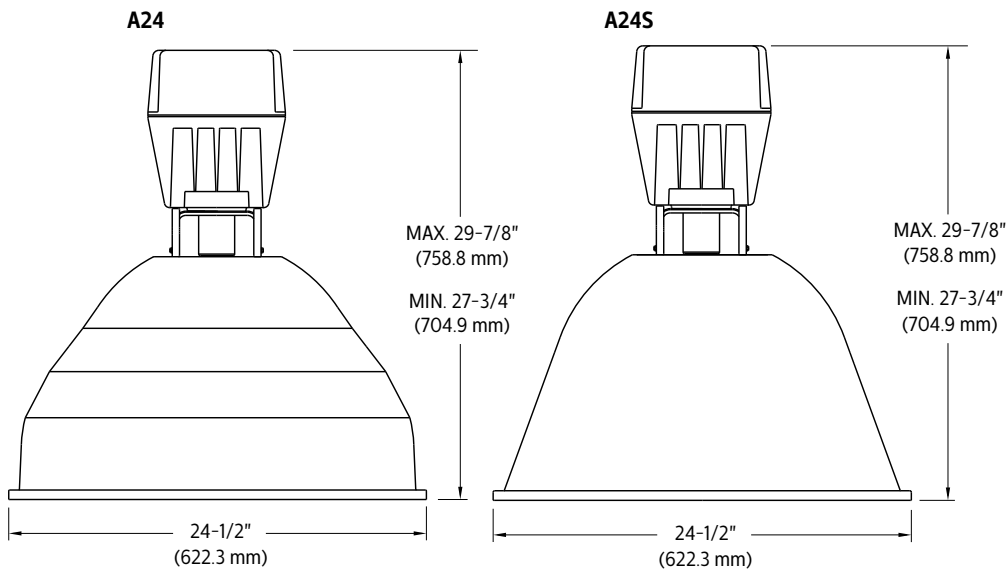
## Construction/Finish

- UL 1598 Listed suitable for damp location and 55°C ambient for all lamp wattages listed.
- 3/4" threaded cast aluminum nut and hub for easy, positive mounting.

- Large wiring access with captive retainer screw.
- Heavy wall, two piece die cast aluminum housing with white polyester powder finish.
- Day-Brite "Slant 2" ballast mounting for cooler operation. Ballast has high temperature class H insulation and a minimum starting temperature of -40°C (-40°F) for HPS and Pulse Start MH or -30°C (-20°F) for MH.

- Heavy gauge yoke provides positive mounting of reflector to ballast assembly and field adjustable light distribution patterns.
- Precision spun heavy gauge aluminum reflector with clear anodized finish.

## Dimensions



## Energy Data

### HIGH PRESSURE SODIUM

CWA BALLAST INPUT WATTS  
1000 watt–1100 watts

### METAL HALIDE

CWA BALLAST INPUT WATTS  
750 watt–820 watts  
875 watt–940 watts  
1000 watt–1080 watts

# HBO High bay

Aluminum reflector, 1000W MH, 1000W HPS, 875W PSMH

HBO 1000W MH A24/POSITION 4																																
MEDIUM SPREAD S/MH = 1.8 TEST NO. 18714																																
DISTRIBUTION CURVE		COEFFICIENTS OF UTILIZATION						AVERAGE BRIGHTNESS				ZONAL SUMMARY			CANDLEPOWER																	
EFFECTIVE FLOOR CAVITY REFLECTANCE 20 PER (pfc=0.20)		CEIL						ZONE	END	45	CROSS	Degrees	Lumens	% Lamp	% Fixture	Angle	Avg. Candela	Angle	Avg. Candela													
WALL		70	50	30	10	70	50	30	10	50	30	10	50	30	10	45	89139	85501	83994	(0-30)	25469	23.2	28.7	0	21484	95	0					
RCR		0	96	96	96	96	94	94	94	90	90	90	86	86	86	82	82	82	55	85161	84894	81117	(0-40)	44852	40.8	50.5	5	22463	105	0		
1		89	86	83	80	87	84	81	79	81	78	76	77	76	74	75	73	72	65	51640	50156	44699	(0-60)	78172	71.1	87.9	15	26856	115	0		
2		82	76	71	66	80	74	70	66	71	67	64	69	66	63	66	64	61	75	26658	22624	22510	(0-90)	88868	80.8	100.0	25	33078	125	0		
3		75	67	61	56	73	66	60	55	63	58	54	61	57	54	59	56	53	85	8244	7750	6669	(90-180)	22	0.0	0.0	35	31091	135	0		
4		69	59	53	48	67	58	52	47	56	51	47	55	50	46	53	49	45	<b>COMPARATIVE YEARLY LIGHTING ENERGY COST PER 1000 LUMENS                      = \$2.93 BASED ON 3000 HRS. AND \$.08 PER KWH.                      LER=82</b>										45	22654	145	0
5		63	53	46	41	61	52	46	41	51	45	40	49	44	40	47	43	40											55	17846	155	20
6		58	48	41	36	57	47	40	36	46	40	35	44	39	35	43	38	35											65	7669	165	13
7		54	43	36	31	52	43	36	31	41	35	31	40	35	31	39	34	31											75	2302	175	0
8		50	39	33	28	49	39	32	28	38	32	28	37	31	27	36	31	27											85	245		
9		47	36	29	25	45	35	29	25	34	29	25	34	28	25	33	28	24	These photometric results were obtained in the Day-Brite Lighting Laboratory which is NVLAP accredited by the National Institute of Standards and Technology.													
10		44	33	27	22	43	33	26	22	32	26	22	31	26	22	30	26	22														

**ADDITIONAL TEST NUMBERS**

A24 1000 WATT		METAL HALIDE	
SOCKET	S/MH	TEST NUMBER	
POSITION 1	0.9	18717	
POSITION 2	1.1	18716	
POSITION 3	1.2	18715	
POSITION 4	1.7	18714	
POSITION 5	1.9	18713	
POSITION 6	2.1	18712	

A24-WT 1000 WATT		METAL HALIDE	
SOCKET	S/MH	TEST NUMBER	
POSITION 1	1.2	19151	
POSITION 2	1.3	19150	
POSITION 3	1.4	19149	
POSITION 4	1.5	19148	
POSITION 5	1.5	19147	
POSITION 6	1.5	19146	

A24S 1000 WATT		HPS	
SOCKET	S/MH	TEST NUMBER	
POSITION 4	0.5	18325	
POSITION 5	0.8	18324	
POSITION 6	1.2	18323	



Some luminaires use fluorescent or high intensity discharge (HID) lamps that contain small amounts of mercury. Such lamps are labeled, "Contain Mercury" and/or the symbol "HG". Lamps that contain mercury must be disposed of in accordance with local requirements. Information regarding lamp recycling and disposal can be found at [www.lamprecycle.org](http://www.lamprecycle.org)

