

# Day-Brite

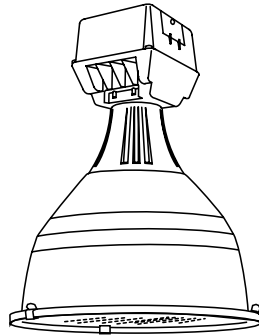
## CFI

by  Signify

### Industrial

HBE high bay

Aluminum reflector  
175-400W MH, 200-400W HPS,  
175-400W PSMH



Project: \_\_\_\_\_  
Location: \_\_\_\_\_  
Cat.No: \_\_\_\_\_  
Type: \_\_\_\_\_  
Lamps: \_\_\_\_\_ Qty: \_\_\_\_\_  
Notes: \_\_\_\_\_

The Day-Brite / CFI HBE high bay features an enclosed, spun aluminum reflector with a clear tempered glass lens for use in applications requiring dust tight or wet location (optional) protection.

#### Ordering guide

Example: HBE400PMT-PSC A17 16/17BE

Ballast Assembly	Wattage	Lamp Source	Voltage	Options	Optical	Optical Options	Lens Assembly
<b>HBE</b>							<b>16/17BE</b>
<b>HBE</b>	<b>175</b> 175 <sup>4</sup> <b>200</b> 200 <sup>31</sup> <b>250</b> 250 <b>320</b> 320 <sup>1,30</sup> <b>350</b> 350 <sup>1,30</sup> <b>400</b> 400	<b>M</b> Metal Halide <b>S</b> High Pressure Sodium <b>P</b> Pulse Start Metal Halide (PSC Ballast option must be specified to comply with EISA for 175W-400W)	<b>12</b> 120 <b>20</b> 208 <b>24</b> 240 <b>27</b> 277 <b>34</b> 347 <b>48</b> 480 <b>2T</b> 208/240/277 <b>MT</b> 120/208/240/277 <b>TT</b> 120/277/347 <b>5T</b> 120/208/240/277/480 <sup>99</sup>	<b>CUL</b> UL Listing to meet CSA standards <b>WEB</b> Pulse Start Electronic Ballast. Consult factory for available voltages and ambient temperature rating. <b>PSC</b> Pulse Start CWA Ballast <b>Q</b> Quartz Standby <b>QEM</b> Quartz Emergency <sup>40</sup> <b>QTD</b> Quartz Time Delay <b>WDF</b> Wired Double Fuse <sup>45</sup> <b>WSF</b> Wired Single Fuse <sup>46</sup> <b>65</b> 65°C Ambient <sup>48</sup> <b>NFZ</b> Non Food Zone <b>WL</b> Wet Location	<b>A16</b> Open 16" Aluminum Reflector <b>A17</b> Open 17" Aluminum Reflector	<b>WT</b> Reflector finished inside and out with White Polyester Powder Coating	<b>16/17BE</b> Bottom Enclosure for A16, A17

#### Accessories (order separately)

**CH** Cover Half for Power Hook (use with PB)  
**PB** Power Box for Power Hook (use with CH)  
**HP12-3** 3' Hook-Cord-Plug Assembly 120V  
**HP25-3** 3' Hook-Cord-Plug Assembly 208-240V  
**HP27-3** 3' Hook-Cord-Plug Assembly 277V  
**HP48-3** 3' Hook-Cord-Plug Assembly 480V  
**HMR** Suspension Hook Male  
**SCB3** Ballast Retainer Chain 3'  
**WGN16/17** Wire Guard  
(Refer to Section 18000 for additional accessories.)

#### Footnotes

<sup>1</sup>Not available in 480V.  
<sup>4</sup>Not available in High Pressure Sodium.  
<sup>30</sup>Pulse Start Metal Halide Only.  
<sup>31</sup>Not available in standard Metal Halide.  
<sup>40</sup>Requires 120 volt secondary power supply.  
<sup>45</sup>Use with 208, 240, and 480 volt.  
<sup>46</sup>Use with 120, 277, and 347 volt.  
<sup>99</sup>Consult factory for availability.

#### General Notes

- All accessories are field installed.
- Mogul base lamp only.
- All options factory installed.
- Ballast assembly and optical assembly to be ordered and shipped separately.

**WARNING:** Refer to and follow the lamp manufacturer's warnings and instructions.



Standard Metal Halide  
Between 175W and 400W  
Not available in USA



# HBE High bay

Aluminum reflector, 175–400W MH, 200–400W HPS, 175–400W PSMH

## Application

- HBE high bay features an enclosed, spun aluminum reflector with a clear tempered glass lens for use in applications requiring dust tight or wet location (optional) protection.

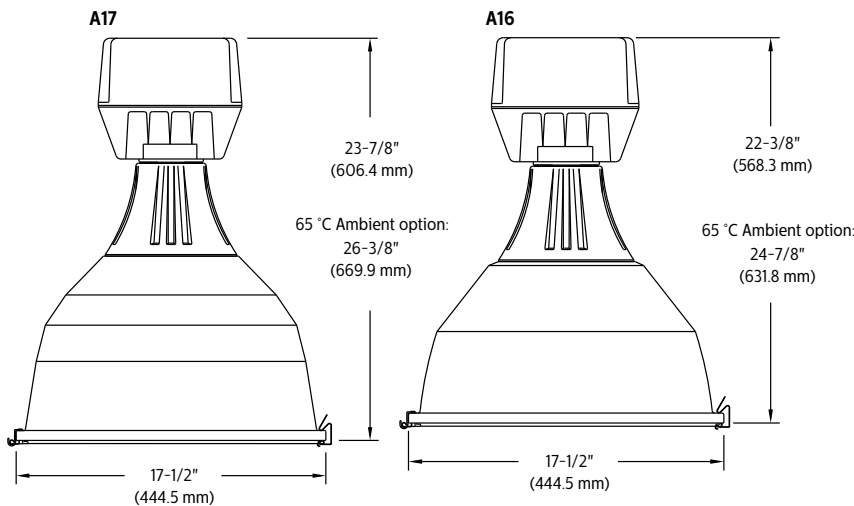
## Construction/Finish

- UL 1598 Listed suitable for damp location and 55°C ambient for all lamp wattages listed with magnetic ballast. Consult factory for ambient temperature rating for electronic ballast (WEB option).

- 3/4" threaded cast aluminum nut and hub for easy, positive mounting.
- Large wiring access with captive retainer screw.
- Heavy wall, two piece die cast aluminum housing with white polyester powder finish.
- Day-Brite "Slant 2" ballast mounting for cooler operation. Ballast has high temperature class H insulation and a minimum starting temperature of -40°C (-40°F) for HPS and Pulse Start MH or -30°C (-20°F) for MH

- Die cast aluminum neck provides positive mounting of reflector to ballast assembly and field adjustable light distribution patterns.
- Precision spun heavy gauge aluminum reflector with clear anodized finish.
- Hinged door with tempered glass lens.

## Dimensions



## Energy Data

### HIGH PRESSURE SODIUM

CWA BALLAST INPUT WATTS
200 Watt–240 Watts
250 Watt–295 Watts
400 Watt–464 Watts

### METAL HALIDE

CWA BALLAST INPUT WATTS	CWA	
	CWA	WEB
175 Watt–210 Watts		
200 Watt–232 Watts		213 Watts
250 Watt–295 Watts		263 Watts
320 Watt–368 Watts		
350 Watt–400 Watts		363 Watts
400 Watt–458 Watts		413 Watts

# HBE High bay

Aluminum reflector, 175-400W MH, 200-400W HPS, 175-400W PSMH

## Photometry

### HBE high bay 400W MH

Efficiency – 73.7%

LER – 64

Catalog No. HBE400MMT-A16-16/17BE (Position 3)		Candlepower		Light Distribution				Average Brightness			
		Angle	Avg. Candela	Degrees	Lumens	% Lamp	% Luminaire	Zone	End	45	Cross
Test No.	18597	0	10425	0-30	9700	24.3	32.9	45	75823	76422	77340
Medium Spread S/MH	1.4	5	9269	0-40	15496	38.7	52.5	55	60702	57569	60421
Lamp Type	400W MH	10	9837	0-60	28386	71.0	96.3	65	9619	10469	11738
Lumens/Lamp	40,000	15	11726	0-90	29491	73.7	100.0	75	2279	2466	2922
Ballast Factor	1.0	20	13052	90-180	0	0.0	0.0	85	0	0	0
Input Watts	458	25	12187	0-180	29491	73.7	100.0				
		30	10263								
		35	9102								
		40	9106								
		45	10090								
		50	9390								
		55	6370								
		60	2270								
		65	836								
		70	346								
		75	123								
		80	16								
		85	0								
Comparative yearly lighting energy cost per 1000 lumens – <b>\$3.75</b> based on 3000 hrs. and \$.08 pwr KWH.											
The photometric results were obtained in the Day-Brite laboratory which is NVLAP accredited by the National Institute of Standards and Technology.											

EFFECTIVE FLOOR CAVITY REFLECTANCE 20 PER (pfc=0.20)																				
Ceil	80				70				50				30				10			
Wall	70	50	30	10	70	50	30	10	50	30	10	50	30	10	50	30	10			
RCR																				
0	88	88	88	88	86	86	86	86	82	82	82	78	78	78	75	75	75			
1	82	79	77	75	80	78	75	73	75	73	71	72	70	69	69	68	67			
2	76	71	67	63	74	70	66	63	67	64	61	65	62	60	63	60	58			
3	70	63	58	54	68	62	57	54	60	56	53	58	55	52	56	53	51			
4	64	57	51	47	63	56	50	46	54	49	46	52	48	45	51	47	44			
5	59	51	45	40	58	50	44	40	49	44	40	47	43	39	46	42	39			
6	55	46	40	35	54	45	40	35	44	39	35	43	38	35	42	38	34			
7	51	42	36	31	50	41	35	31	40	35	31	39	34	31	38	34	31			
8	47	38	32	28	46	37	32	28	36	31	28	36	31	28	35	31	27			
9	44	35	29	25	43	34	29	25	33	28	25	33	28	25	32	28	25			
10	41	32	26	23	40	32	26	23	31	26	23	30	26	22	30	25	22			



Some luminaires use fluorescent or high intensity discharge (HID) lamps that contain small amounts of mercury. Such lamps are labeled, "Contain Mercury" and/or the symbol "HG". Lamps that contain mercury must be disposed of in accordance with local requirements. Information regarding lamp recycling and disposal can be found at [www.lamprecycle.org](http://www.lamprecycle.org)

