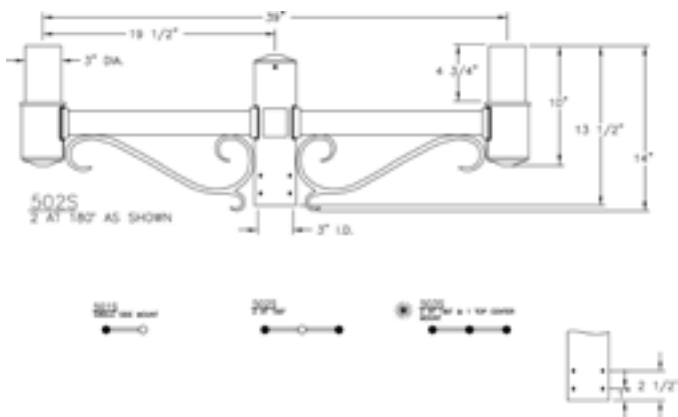


Project: _____
 Location: _____
 Cat.No: _____
 Type: _____
 Lamps: _____ Qty: _____
 Notes: _____



Ordering Guide

Example: 501S thru 503S ABS

Product Code	501S thru 503S	Post Top Bracket Arms
Finish	ABS	Antique Brass
	ACP	Antique Copper
	ARD	Antique Red
	ASI	Antique Silver
	BLK	Black
	BRN	Brown
	BRZ	Bronze
	FGN	Forest Green
	GRA	Granite
	IRN	Ironstone
	RBZ	Rustic Bronze
	SRT	Shadow Rust
	VBZ	Verde Bronze
	VCP	Verde Copper
	VGN	Verde
	VTC	Vintage Copper
	WBZ	Weathered Bronze
	WHT	White

Specifications

CONSTRUCTION:

Bracket assembly consists of cast aluminum bracket ends with cast aluminum bottom caps, cast aluminum scrolls. Cast aluminum center hub with removable cast aluminum cap, 2" x 1/8" wall aluminum rectangular extruded horizontal arms, welded internal construction. When center mount lantern is specified, 1 piece of 3" dia. x .125" wall at 12" long aluminum tubing supplied instead of top cap. Tubing protrudes out of center hub 8".

FINISH:

Resilient TGIC thermoset polyester powdercoat paint is electrostatically applied to every fixture. Specially formulated for Philips Outdoor Lighting, it provides UV protection, and the highest temperature rating in the industry. In addition to the standard color choices shown, a spectrum of custom colors is available.

MOUNTING:

Bracket arms fit over 3" dia. post or tenon. See specification sheet for other bracket options.

