



Calculite LED 6" generation 3 features industry leading visual comfort and excellent uniform illumination over time.

Project: _____
 Location: _____
 Cat.No: _____
 Type: _____
 Lamps: _____ Qty: _____
 Notes: _____

Complete luminaire = Fixture + Accessory (optional)

Fixture

example: C6SDL15835MZ10UCCW

Series	Mounts	Styles	Lumens	CRI	CCT	Beams	Dimming	Voltage	Reflector finish	Cylinder finish
C6										
C6 Calculite LED 6" aperture	S Surface W Wall P Pendant ¹	DL Downlight	10 1000	8 80	27 2700K	N Narrow M Medium W Wide ²	D Dali ³ L Lutron LDE1 EcoSystem (fade-to-black) ³ Z10 0-10V 1% SOL EldoLED Solo 0-10V 0.1% ³ DMX Digital Multiplex ³	U Universal 120V/277V	CL Specular clear CC Comfort clear CD Comfort clear diffuse CZ Champagne bronze BK Black (matte)	W White (matte) B Black (matte) A Aluminum
		WW Wall Wash ² DW Double Wall Wash ²	15 1500 20 2000 25 2500 35 3500 48 4800 ³ 60 6000 ³	9 90 30 3000K 35 3500K 40 4000K						
							ELV ELV ⁴ (120V only dimming)	1 Universal 120V/277V		

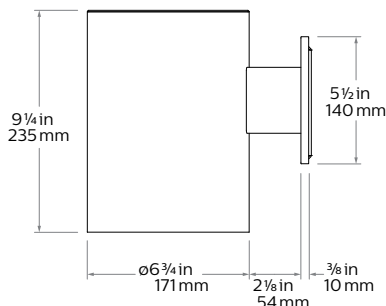
Pendant accessories (field adjustable)¹ example: CASK36BK

Series	Mounts	Length	Finish
CA			
CA Calculite Accessory	SK Stem Kit	36 36 inches	WH White (matte) ⁵ BK Black (matte) ⁵ AL Aluminum ⁵
	CK Cable Kit ⁶	10 120 inches	WH White (matte) BK Black (matte)

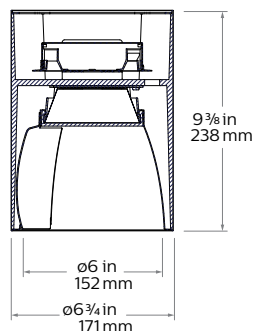
- Pendant (P) option needs to be ordered with an accessory.
- Wall Wash (WW) and Double Wall Wash (DW) are only available with Wide (W) beam.
- Lutron (L), Dali (D), EldoLED Solo (SOL), and Digital Multiplex (DMX) are only available up to 3500lm (35) configurations.
- ELV (ELV) dimming is only compatible with up to 2500lm (25) configurations.
- Add an "X" suffix for Digital Multiplex (DMX) dimming configurations.
- Digital Multiplex (DMX) dimming is not compatible with the Cable Kit (CK) accessory.

Dimensions

Wall mount

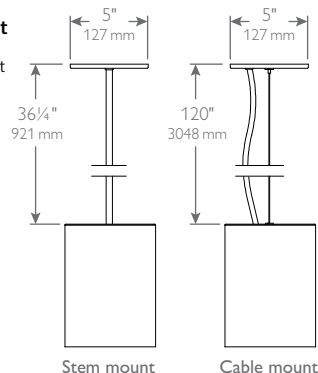


Surface mount



Pendant mount

Order the Pendant mount cylinder and select the stem or cable kit.



C6 Calculite LED 6" gen 3

Cylinder

Cylinder

Cylinder housing: Cast aluminum, available for installation onto a 3" or 4" junction box, stem, cable, or wall mounted.

Surface mounting (C4S): Mounts directly to junction box. Listed for wet location use.

Pendant mounting (C4P): Order with the stem or cable kit.

Wall Mounting (C4W): Pre-attached hardware allows for simple installation into wall mounted junction box.

Pendant accessories

Stem mounting kit (CASK36xx): 36" long steel stem, 0.375" diameter (1/8" National Pipe Thread, can be field cut to required length. 5-wire conductor cable runs alongside of stem for power and dimming. Magnetic attachment of canopy to junction box provides clean look free of hardware. Self-aligning swivel mounting system ensures cylinder hangs straight down. Stem can be cut in field for length adjustment (1/8" drill bit required for through hole). Damp location rated.

Cable mounting kit (CACK10xx): 10' long steel cable with 5-wire cable for power and dimming. Hardware free canopy for clean aesthetics. Damp location rated.

Drivers

- Advance 0-10V 1% dimming
- Lutron Hi-lume EcoSystem H Series 1% dimming
- EldoLED ECOdrive Dali 1% dimming
- EldoLED SOLOdrive 0-10V 0.1% dimming
- ELV dimming

Optical systems

Comfort throughout the space:

Patented optical system combines primary and secondary optics to provide a true 50° physical cutoff and 45° reflected cutoff virtually eliminating the view of the light source and bright spots in the reflector. A new reflector curve reduces reflector brightness by up to 50% compared to existing products, allowing for the use of higher lumen packages in smaller apertures without creating bright spots in the ceiling.

Quality of light: 2 SDCM ensures color consistency from fixture to fixture and over the luminaire's long lifetime. Proprietary optical grade silicone lens with patterned surface provides soft, even beam diffusion without hotspots or dark rings.

ENERGY STAR® exceptions

- 90 CRI configurations
- Champagne Bronze and Black finishes
- EldoLED Solo drivers

Labels and Listings

- cULus listed for wet locations (surface mount)
- cULus listed for damp locations (wall and pendant mount)
- ENERGY STAR® certified
- RoHS certified
- IBEW Union made

Warranty

5 year warranty on complete system.



Complete warranty available at: http://images.philips.com/is/content/PhilipsConsumer/PDFDownloads/United%20States/ODLI20150930_003-UPD-en_US-Philips-warranty-indoor-PLS-us.pdf

Narrow (0-10V)

Lumen package	Input volts	Input freq	Input current	Drive current	Input power	THD power	Power factor
1000lm	120V	50/60Hz	0.08	230 mA	9W	<15%	>0.95
	277V		0.04			<20%	>0.95
1500lm	120V	50/60Hz	0.11	340 mA	15W	<10%	>0.95
	277V		0.05			<15%	>0.95
2000lm	120V	50/60Hz	0.16	460 mA	22W	<10%	>0.95
	277V		0.08			<15%	>0.95
2500lm	120V	50/60Hz	0.20	590 mA	25W	<10%	>0.95
	277V		0.10			<15%	>0.95
3500lm	120V	50/60Hz	0.30	900 mA	36W	<10%	>0.95
	277V		0.14			<15%	>0.95
4800lm	120V	50/60Hz	0.42	1250 mA	51W	<10%	>0.95
	277V		0.19			<15%	>0.95
6000lm	120V	50/60Hz	0.48	1400 mA	57W	<10%	>0.95
	277V		0.21			<15%	>0.95

Medium/Wide (0-10V)

Lumen package	Input volts	Input freq	Input current	Drive current	Input power	THD power	Power factor
1000lm	120V	50/60Hz	0.08	210 mA	9W	<15%	>0.95
	277V		0.04			<20%	>0.95
1500lm	120V	50/60Hz	0.11	320 mA	15W	<10%	>0.95
	277V		0.05			<15%	>0.95
2000lm	120V	50/60Hz	0.15	430 mA	19W	<10%	>0.95
	277V		0.07			<15%	>0.95
2500lm	120V	50/60Hz	0.19	550 mA	23W	<10%	>0.95
	277V		0.09			<15%	>0.95
3500lm	120V	50/60Hz	0.25	570 mA	30W	<10%	>0.95
	277V		0.11			<15%	>0.95
4800lm	120V	50/60Hz	0.36	810 mA	40W	<10%	>0.95
	277V		0.16			<15%	>0.95
6000lm	120V	50/60Hz	0.50	1130 mA	57W	<10%	>0.95
	277V		0.22			<15%	>0.95

Lifetime (TM-21) data

Lumens	Narrow beam	Medium/Wide beam
1000lm 1500lm 2000lm	L90 @ 60,000 hrs.	L90 @ 60,000 hrs.
2500lm 3500lm 4800lm 6000lm	L90 @ 60,000hrs.	L85 @ 60,000hrs.

Reflector

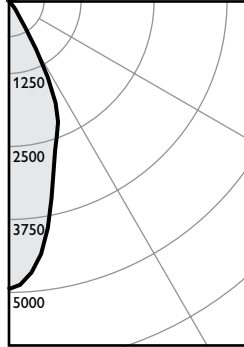


C6 Calculite LED 6" gen 3

Cylinder

Narrow beam, 2500lm Engine, 103.0 lm/W

Candela Curve



Cylinder:

C6SDL25835NZ10UCLW

Output lumens: 2462 lms
 Input watts: 23.9 W
 CRI: 80 min
 CCT¹: 3500K
 Spacing Crit.: 0.6
 Beam Angle: 40°

Zonal summary

Zone	Lumens	%Luminaire
0-30	2113	85.8%
0-40	2383	96.8%
0-60	2459	99.9%
0-90	2462	100.0%

Angle	Mean CP	Lumens
0	4938	
5	4667	423
10	3948	
15	3027	856
20	2456	
25	1936	834
30	977	
35	352	270
40	205	
45	87	72
50	13	
55	4	4
60	3	
65	2	2
70	1	
75	1	1
80	0	
85	1	0
90	0	

Single unit data

Height to lighted plane	Initial center beam foot-candles	Beam diameter (ft)*
5'	198	3.0'
6'	137	3.6'
7'	101	4.2'
8'	77	4.8'
9'	61	5.4'

* Beam diameter is where foot-candles drop to 50% of maximum.

Multiple unit data - RCR 2

Spacing on center	Initial center beam foot-candles	Watts per sq. ft.
5'	114.3	1.06
6'	75.0	0.70
7'	53.6	0.50
8'	44.7	0.41
9'	35.7	0.33

38' x 38' x 10' Room, Workplane 2.5' above floor, 80/50/20% Reflectances

Efficacy: 103.0 lm/w

Report#: F37145

Adjustment factors

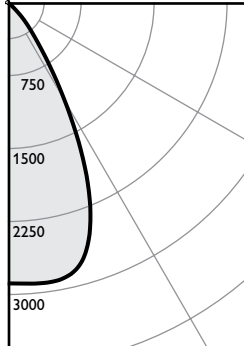
Finish	CCT	Lumens
CL = 100%	80CRI 4000K = 103%	6000lm = 202%
CC = 95%	80CRI 3500K = 100%	4800lm = 192%
CD = 87%	80CRI 3000K = 95%	3500lm = 140%
CZ = 63%	80CRI 2700K = 93%	2500lm = 100%
WH = 87%	90CRI 3000K = 83%	2000lm = 80%
BK = 57%	90CRI 2700K = 78%	1500lm = 60%
		1000lm = 40%

Coefficients of utilization

Ceiling	80%		70%		50%		30%		0%			
	70	50	30	10	50	10	50	10	50	10		
Wall	70	50	30	10	50	10	50	10	50	10	0	
RCR	Zonal cavity method - Effective floor reflectance = 20%											
Room Cavity Ratio	0	119	119	119	119	116	116	111	111	106	106	100
1	114	112	109	107	110	106	105	102	102	99	99	95
2	109	105	101	98	103	97	100	95	97	93	90	85
3	105	99	95	91	98	90	95	89	93	88	85	80
4	100	94	89	85	93	85	90	84	88	83	80	76
5	96	89	84	80	88	79	86	79	84	78	76	72
6	92	84	79	75	83	75	82	74	81	74	72	69
7	88	80	75	71	79	71	78	71	77	70	68	65
8	85	76	71	67	76	67	75	67	74	67	65	62
9	81	73	68	64	72	64	72	64	71	64	62	59
10	78	70	65	61	69	61	68	61	68	61	59	57

Medium beam, 2500lm Engine, 115.2 lm/W

Candela Curve



Cylinder:

C6SDL25835MZ10UCLW

Output lumens: 2454 lms
 Input watts: 21.3 W
 CRI: 80 min
 CCT¹: 3500K
 Spacing Crit.: 0.8
 Beam Angle: 55°

Zonal summary

Zone	Lumens	%Luminaire
0-30	1896	77.2%
0-40	2319	94.5%
0-60	2450	99.8%
0-90	2454	100.0%

Angle	Mean CP	Lumens
0	2886	
5	2900	277
10	2903	
15	2809	777
20	2472	
25	1880	842
30	1178	
35	644	423
40	347	
45	153	124
50	23	
55	6	8
60	4	
65	3	3
70	2	
75	1	1
80	1	
85	1	0
90	0	

Single unit data

Height to lighted plane	Initial center beam foot-candles	Beam diameter (ft)*
5'	115	4.0'
6'	80	4.8'
7'	59	5.6'
8'	45	6.4'
9'	36	7.2'

* Beam diameter is where foot-candles drop to 50% of maximum.

Multiple unit data - RCR 2

Spacing on center	Initial center beam foot-candles	Watts per sq. ft.
5'	112.7	0.94
6'	74.0	0.62
7'	52.8	0.44
8'	44.0	0.37
9'	35.2	0.30

38' x 38' x 10' Room, Workplane 2.5' above floor, 80/50/20% Reflectances

Efficacy: 115.2 lm/w

Report#: F37135

Adjustment factors

Finish	CCT	Lumens
CL = 100%	80CRI 4000K = 102%	6000lm = 240%
CC = 95%	80CRI 3500K = 100%	4800lm = 192%
CD = 87%	80CRI 3000K = 97%	3500lm = 140%
CZ = 63%	80CRI 2700K = 87%	2500lm = 100%
WH = 87%	90CRI 3000K = 77%	2000lm = 80%
BK = 57%	90CRI 2700K = 73%	1500lm = 60%
		1000lm = 40%

Coefficients of utilization

Ceiling	80%		70%		50%		30%		0%		
	70	50	30	10	50	10	50	10	50	10	
Wall	70	50	30	10	50	10	50	10	50	10	0
RCR	Zonal cavity method - Effective floor reflectance = 20%										
Room Cavity Ratio	0	119	119	119	116	116	111	111	106	106	100
1	114	111	109	107	109	105	105	102	101	99	94
2	108	104	100	97	102	96	99	94	96	92	88
3	103	97	92	89	96	88	93	87	91	85	82
4	98	91	86	82	90	81	88	80	86	79	77
5	94	86	80	76	85	76	83	75	81	74	72
6	89	81	75	71	80	71	78	70	77	70	68
7	85	76	70	66	76	66	74	66	73	66	64
8	81	72	66	62	71	62	70	62	69	62	60
9	77	68	63	59	68	59	67	58	66	58	57
10	74	65	59	55	64	55	63	55	63	55	54

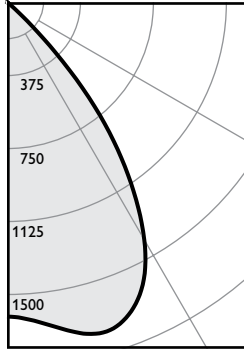
1. Correlated Color Temperature within specs as defined in ANSI_NEMA_ANSLG C78.377-2008: Specifications for the Chromaticity of Solid State Lighting Products.
 2. Tested using absolute photometry as specified in LM79: IESNA Approved Method for the Electrical and Photometric Measurements of Solid-State Lighting Products.

C6 Calculite LED 6" gen 3

Cylinder

Wide beam, 2500lm Engine, 108.3 lm/W

Candela Curve



Cylinder:

C6SDL25835WZ10UCLW

Output lumens: 2307 lms
 Input watts: 21.3 W
 CRI: 80 min
 CCT: 3500K
 Spacing Crit.: 1.1
 Beam Angle: 72°

Zonal summary

Zone	Lumens	%Luminaire
0-30	1394	60.4%
0-40	2059	89.2%
0-60	2302	99.8%
0-90	2307	100.0%

Angle	Mean CP	Lumens
0	1612	
5	1641	159
10	1705	
15	1760	495
20	1740	
25	1629	740
30	1408	
35	1083	665
40	700	
45	270	232
50	39	
55	9	12
60	5	
65	3	3
70	2	
75	1	1
80	1	
85	1	1
90	0	

Single unit data

Height to lighted plane	Initial center beam foot-candles	Beam diameter (ft)*
5'	64	5.5'
6'	45	6.6'
7'	33	7.7'
8'	25	8.8'
9'	20	9.9'

* Beam diameter is where foot-candles drop to 50% of maximum.

Multiple unit data - RCR 2

Spacing on center	Initial center beam foot-candles	Watts per sq. ft.
5'	104.1	0.94
6'	68.3	0.62
7'	48.8	0.44
8'	40.7	0.37
9'	32.5	0.30

38' x 38' x 10' Room, Workplane 2.5' above floor, 80/50/20% Reflectances

Efficacy: 108.3 lm/w

Report#: F37140

Adjustment factors

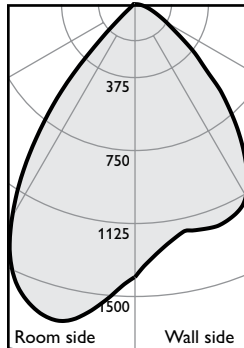
Finish	CCT	Lumens
CL = 100%	80CRI 4000K = 102%	6000lm = 240%
CC = 95%	80CRI 3500K = 100%	4800lm = 192%
CD = 87%	80CRI 3000K = 97%	3500lm = 140%
CZ = 63%	80CRI 2700K = 87%	2500lm = 100%
WH = 87%	90CRI 3000K = 77%	2000lm = 80%
BK = 57%	90CRI 2700K = 73%	1500lm = 60%
		1000lm = 40%

Coefficients of utilization

Ceiling	80%		70%		50%		30%		0%			
	70	50	30	10	50	10	50	10	50	10		
Wall	70	50	30	10	50	10	50	10	50	10	0	
RCR	Zonal cavity method - Effective floor reflectance = 20%											
Room Cavity Ratio	0	119	119	119	119	116	116	111	111	106	106	100
1	113	110	108	105	108	104	104	100	100	97	97	93
2	107	102	98	94	100	93	97	91	94	89	85	85
3	101	94	89	85	93	84	90	83	88	81	79	79
4	95	87	81	77	86	76	84	76	82	75	72	72
5	90	81	75	70	80	70	78	69	77	69	66	66
6	85	75	69	64	75	64	73	64	72	63	61	61
7	80	70	64	59	70	59	68	59	67	58	57	57
8	76	66	59	55	65	55	64	54	63	54	52	52
9	72	61	55	51	61	51	60	50	59	50	49	49
10	68	57	51	47	57	47	56	47	55	47	45	45

Wall Wash, 2500lm Engine, 103.5 lm/w

Candela Curve



Cylinder:

C6SWW25835WZ10UCLW

CCT: 3500K
 Output lumens: 2204 lms
 Input watts: 21.3 W
 CRI: 80 min

Efficacy: 103.5 lm/w

Report#: F37141

Multiple unit data

Footcandles on wall

Distance from ceiling in feet	2' from wall		
	3' on ctr.		
1	33	24	33
2	61	44	61
3	58	60	58
4	46	49	46
5	37	37	37
6	28	29	28
7	23	23	23
8	19	19	19
9	16	16	16
10	14	14	14
12	12	12	12
14	10	10	10

Multiple unit data

Footcandles on wall

Distance from ceiling in feet	3' from wall		
	3' on ctr.		
1	15	15	15
2	26	26	26
3	37	37	37
4	40	42	40
5	38	38	38
6	33	33	33
7	28	28	28
8	24	24	24
9	20	20	20
10	18	18	18
12	14	15	14
14	13	12	13

Multiple unit data

Footcandles on wall (shown above)

Distance from ceiling in feet	3' from wall		
	4' on ctr.		
1	13	11	13
2	22	18	22
3	31	26	31
4	31	32	31
5	28	30	28
6	25	26	25
7	21	22	21
8	18	18	18
9	16	16	16
10	14	14	14
12	11	11	11
14	10	10	10

Adjustment factors

Finish	CCT	Lumens
CL = 100%	80CRI 4000K = 102%	6000lm = 202%
CC = 95%	80CRI 3500K = 100%	4800lm = 192%
CD = 87%	80CRI 3000K = 97%	3500lm = 140%
CZ = 63%	80CRI 2700K = 87%	2500lm = 100%
WH = 87%	90CRI 3000K = 77%	2000lm = 80%
BK = 57%	90CRI 2700K = 73%	1500lm = 60%
		1000lm = 40%

1. Correlated Color Temperature within specs as defined in ANSI_NEMA_ANSI C78.377-2008: Specifications for the Chromaticity of Solid State Lighting Products.
2. Tested using absolute photometry as specified in LM79: IESNA Approved Method for the Electrical and Photometric Measurements of Solid-State Lighting Products.

