

KEENE

by  Signify

Wall Mount

LytePro

LPW7 Small Wall Sconce



Keene **LytePro LED small wall sconce LPW7** features outstanding value in a compact, architectural design. This wall sconce offers chip-on-board (COB) LED technology for outstanding energy savings with good photometric performance. LPW7 is ideal for entryways, corridors, facade and other wall/surface lighting applications.

Project: _____

Location: _____

Cat.No: _____

Type: _____

Lamps: _____

Qty: _____

Notes: _____

Stocked luminaires – Ordering guide

Catalog Number	Description	Master Pack, Qty	UPC Code
LPW7-8BZ	LPW7, 14W COB LED, 350mA, 4000K, 120-277V, Bronze textured paint	6	786034960465
LPW7-8DGY	LPW7, 14W COB LED, 350mA, 4000K, 120-277V, Dark gray textured paint	6	786034960441
LPW7-8WH	LPW7, 14W COB LED, 350mA, 4000K, 120-277V, White textured paint	6	786034960458

Stocked accessories - Ordering guide (must be ordered separately)

Catalog Number	Description	Master Pack, Qty	UPC Code
LPWCVRPLT-BZ	LPW Universal wall cover mounting plate, Bronze textured paint	(none)	786034960618

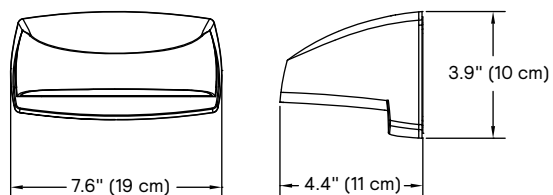
Description of catalog codes

Family	Drive current	Voltage	Finish
LPW7 LytePro 7 LED Small Wall Sconce (Blank - standard 350mA drive current)	(Blank - standard 350mA drive current)	8 120-277V	BZ Bronze textured paint
		1 120V	DGY Dark gray textured paint
			WH White textured paint

LPW7 LytePro LED Small Wall Sconce

Wall Mount

Dimensions



Weight

4 lbs (1.8 kg)

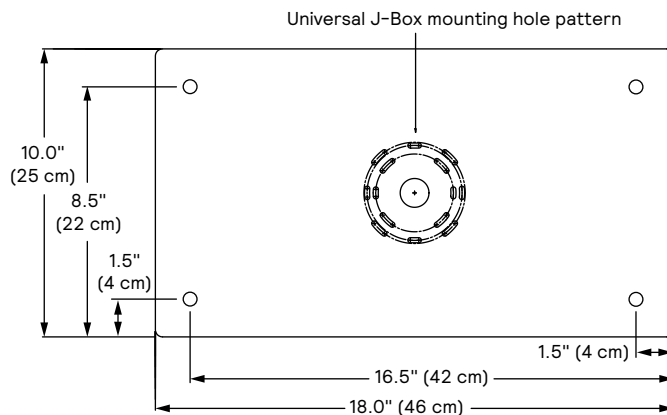
Features

- LPW7 wall sconce delivers 1,154 lumens at 14W, with an efficacy of 82 lumens per watt
- 14W LED may effectively replace up to 70W HID luminaires¹
- 4000K neutral white at 70 CRI (minimum) is standard
- Offers three in-stock colours on standard units
- 5-year limited warranty; [see signify.com/warranties](http://www.signify.com/warranties) for specific details

1. Comparable equivalency to HID and other lamp sources depends on multiple criteria including mounting height, fixture spacing, efficiency, performance and classification of the luminaire being replaced and application lighting criteria required for the given project.

Accessory Dimensions (ordered separately)

LPWCVRPLT LPW Universal wall cover mounting plate, 0.08" aluminum, bronze textured paint (used to cover larger pre-existing opening or surfaces, field installed). Offers same J-Box pattern as luminaire or may lagged to wall using (4) knockouts.



Performance/Specifications

Distribution	Type 2
Initial Lumens (4000K)*	1,154
Average Wattage*	14
Lumens/Watt	82
BUG Rating*	B1/U0/G1
Luminaire Weight	~4lbs (1.8Kg)

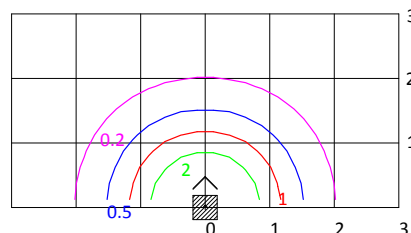
Ratings/Approbations/Certifications

Ingress Protection	IP65 Optical
cETLus	Certified for use in wet locations
Rated Ambient Temperature	-30°C (-22°F) to 40°C (104°F)

Distribution Pattern

LPW7 - 8' Mounting Height			
Mounting Height	6'	8'	10'
Multiplier	1.78	1	0.64

- Isolines shown at 2.0, 1.0, 0.5, & 0.2 FC
- Choose mounting height.
Use MULTIPLIER (X) EXISTING FC VALUE = NEW FC VALUE
- FC values are based on initial lumen output
- Gridline spacing is in units of chosen mounting height



LPW7 LytePro LED Small Wall Sconce

Wall Mount

Specifications

General Description

The Keene LytePro LED Small Wall Sconce LPW7 combines excellent performance, design and value to meet the needs of the energy and budget conscious. The LPW7 is available for use in downward facing, surface wall mount applications, over recessed j-boxes or where power can be directly fed through back surface, whereby connections splices can be made inside the luminaire housing.

Housing

Die-cast housing houses both the LED and driver assemblies. Design incorporates an integrated heat sink to maximize thermal performance and reliability. Backplate is corrosion free, composite polycarbonate, with built-in level bubble, offers integral interlocking hook and mount design for easy installation.

Mounting

Easy interlocking hook and mount housing/backplate design for easy installation. Mounts over 3.5", 4" octagonal j-boxes and single gang switch boxes (mounted horizontally) or can be directly lagged to surface. Ensure proper steps for gasket/sealing luminaire to surface.

IP Rating

Optical compartment is IP65 rated.

LED Board and Array

Provides up to 82 lm/W at the system level. Standard colour temp is 4000K +/- 250K, minimum 70 CRI.

Electrical

Driver efficiency (>90% standard). 120-277V. Temp range: -30°C (-22°F) to 40°C (104°F). Open/short circuit protection. RoHS compliant.

Listings

Product is cETLus listed suitable for Wet Locations. Suitable for use in ambients from -30°C to 40°C (-22°F to 104°F).

Finish

Each luminaire receives a fade and abrasion resistant, electrostatically applied, thermally cured, triglycidyl isocyanurate (TGIC) textured polyester powdercoat finish. Three standard colours are available: Dark Grey, Bronze and White. Specific options are only available in bronze.

Warranty

LPW7 luminaires, the LED arrays, and the drivers are all covered by a 5-year limited warranty. See signify.com/warranties for details.

Predicted Lumen Depreciation Data^{3,5}

Ambient Temp °C	Calculated L ₇₀ h ⁴	Reported L ₇₀ Per TM-21 ^{4,5}	Lumen Maintenance @ 60,000 h
up to 40°C	>200,000 hrs	>36,000 hrs	97%

3. Calculated performance derived from LED manufacturer's data and engineering design estimates, based on IESNA LM-80 methodology. Actual experience may vary due to field application conditions.

4. L₇₀ is the predicted time when LED performance depreciates to 70% of initial lumen output.

5. Reported per IESNA TM21-11. Published L₇₀ hours limited to 6 times actual LED test hours.

