

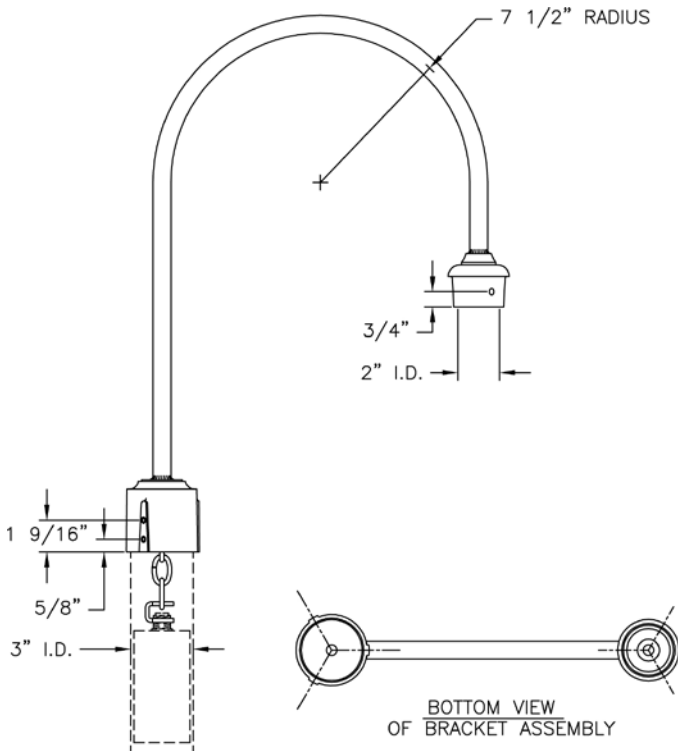
Project: \_\_\_\_\_  
 Location: \_\_\_\_\_  
 Cat.No: \_\_\_\_\_  
 Type: \_\_\_\_\_  
 Lamps: \_\_\_\_\_ Qty: \_\_\_\_\_  
 Notes: \_\_\_\_\_

### Ordering Guide

Example: 254PL ABS 50H E

Product Code	254PL	Bracket Arm	
<b>Finish</b>	ABS	Antique Brass	
	ACP	Antique Copper	
	ARD	Antique Red	
	ASI	Antique Silver	
	BLK	Black	
	BRN	Brown	
	BRZ	Bronze	
	FGN	Forest Green	
	GRA	Granite	
	IRN	Ironstone	
	RBZ	Rustic Bronze	
	SRT	Shadow Rust	
	VBZ	Verde Bronze	
	VCP	Verde Copper	
	VGN	Verde	
VTC	Vintage Copper		
WBZ	Weathered Bronze		
WHT	White		
<b>Wattage/Source</b>	50H	50W MH	*1
	35S	35W HPS	*1
	50S	50W HPS	*1
	70S	70W HPS	
	60I	60W INC.	*1
<b>Voltage</b>	E	120V	
	F	208V	
	G	240V	
	H	277V	

\*1 (E) 120V option only



### Specifications

#### CONSTRUCTION:

Cast aluminum 2" I.D. splicing fitter welded to bent arm. 1/2 Schedule 40 aluminum pipe welded to 2" splicing fitter and 3" I.D. post fitter. Cast aluminum 3" I.D. post fitter.

#### FINISH:

Resilient TGIC thermoset polyester powdercoat paint is electrostatically applied to every fixture. Specially formulated for Philips Outdoor Lighting, it provides UV protection, and the highest temperature rating in the industry. In addition to the standard color choices shown, a spectrum of custom colors is available.

#### BALLAST:

Post line ballast supplied with mounting hardware. (Contact factory for ballast selection.)

#### MOUNTING:

Fixture mounts to 4" I.D. post. Wire and wire nuts supplied for attaching to lantern and incoming power supply.

#### WARRANTY:

Three-year limited warranty.

# 254PL Bracket arm

## Arm bracket

### Specifications

---

**Height:**

26 1/2"

**Width:**

19"

**Max. Weight:**

