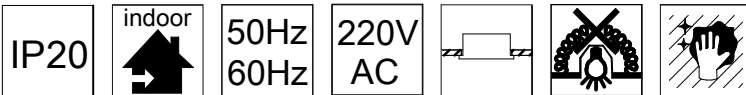
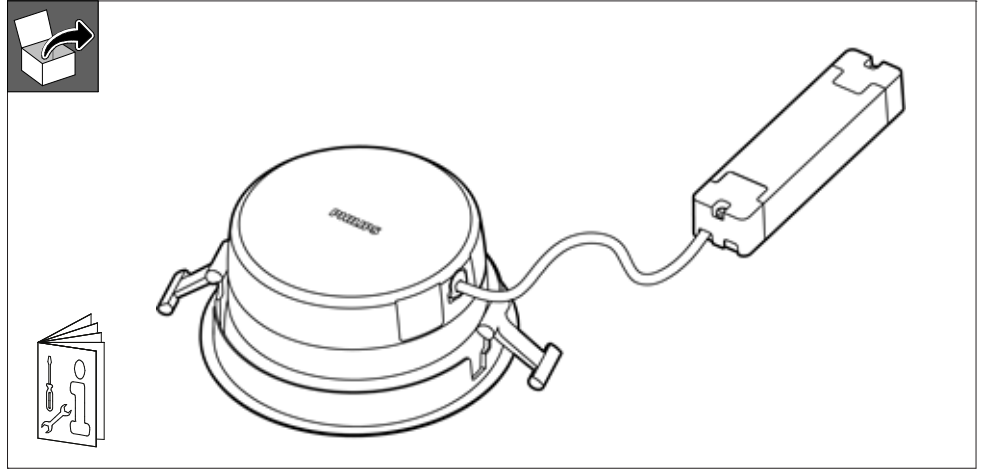


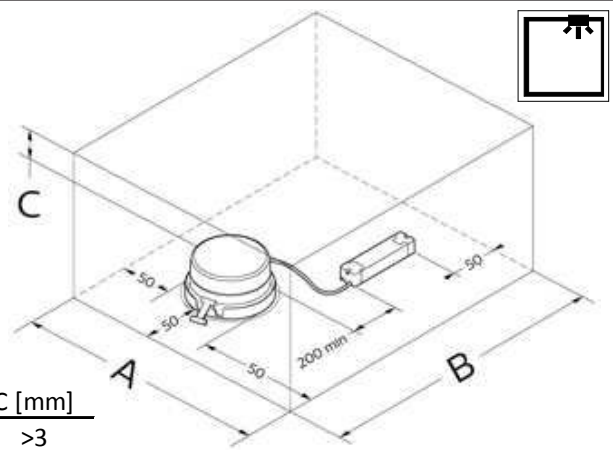
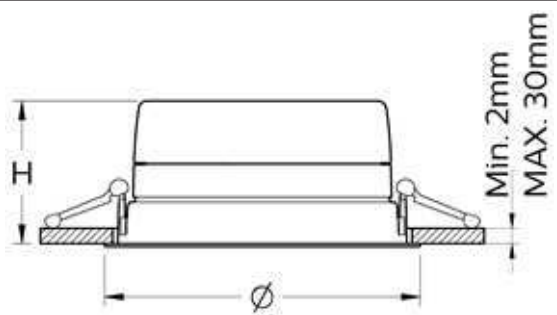
# PHILIPS

LUXSPACE

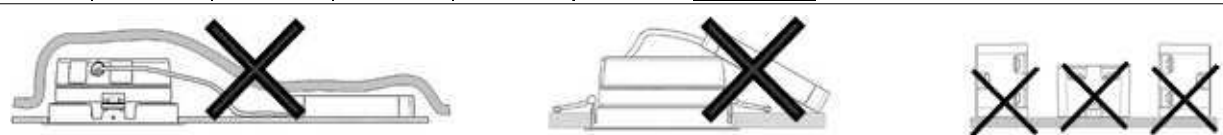
DN560B/561B/570B/571B



Model	Lumen package	Color Temperature [K]	kg
DN560B DN561B	LED8S	830/840/927/930/940	0,7
	LED12S	830/840/927/930/940	0,7
	LED20S	830/840/927/930/940	0,7
DN570B DN571B	LED12S	830/840/927/930/940	1,17
	LED20S	830/840/927/930/940	1,17
	LED24S	830/840/927/930/940	1,17
	LED40S	830/840	1,17
	LED60S	830/840	1,17

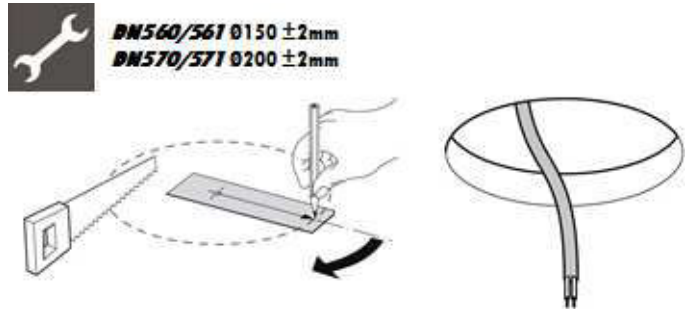


	H [mm]	mm	Ø [mm]	A [mm]	B [mm]	C [mm]
DN560B	72	150	164	250	550	>3
DN561B	86	150	164	250	550	>3
DN570B	96,5	200	214	300	700	>3
DN571B	119	200	214	300	700	>3

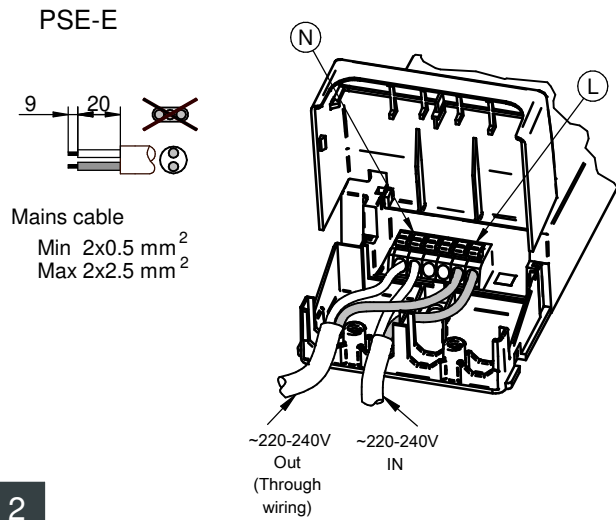




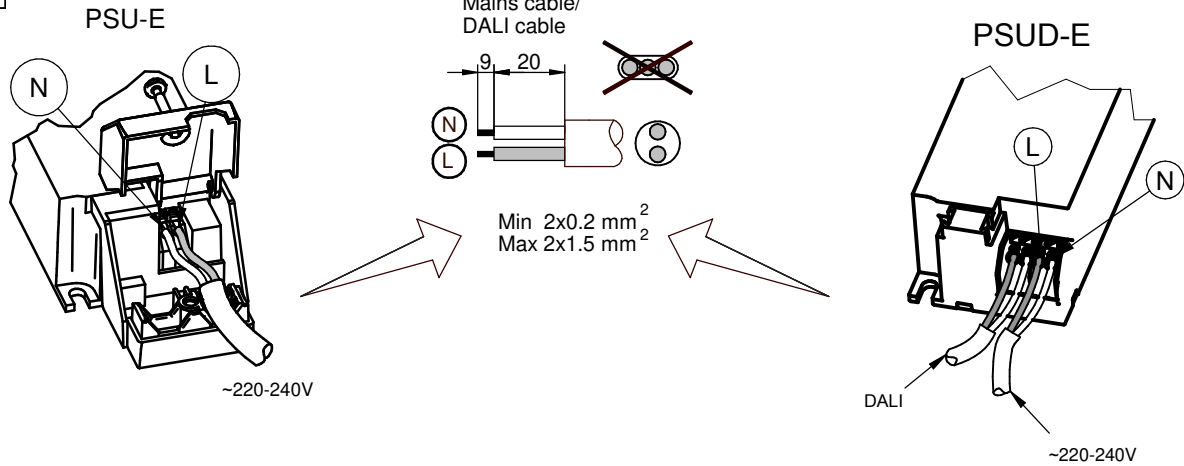
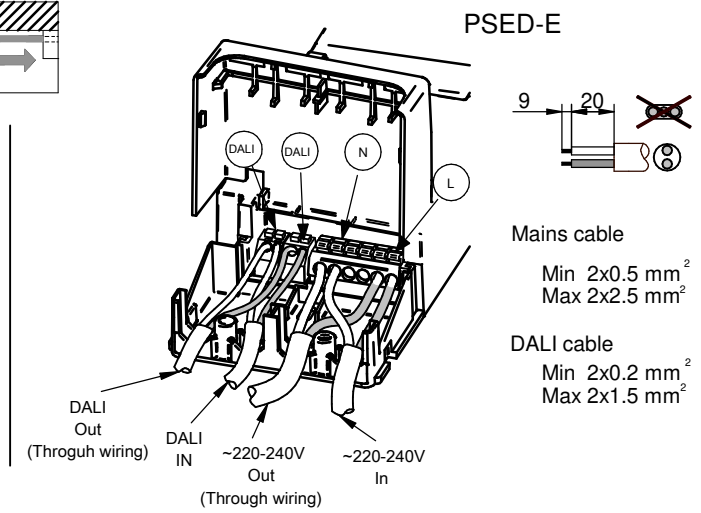
1a



1b

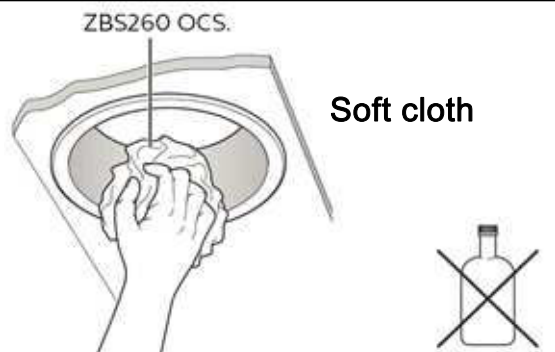
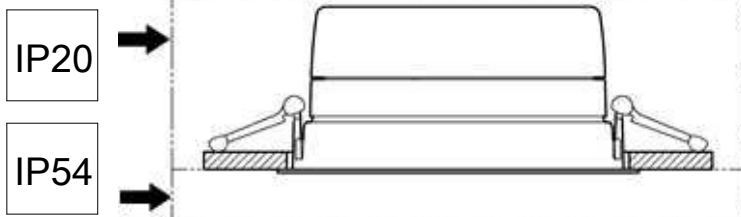


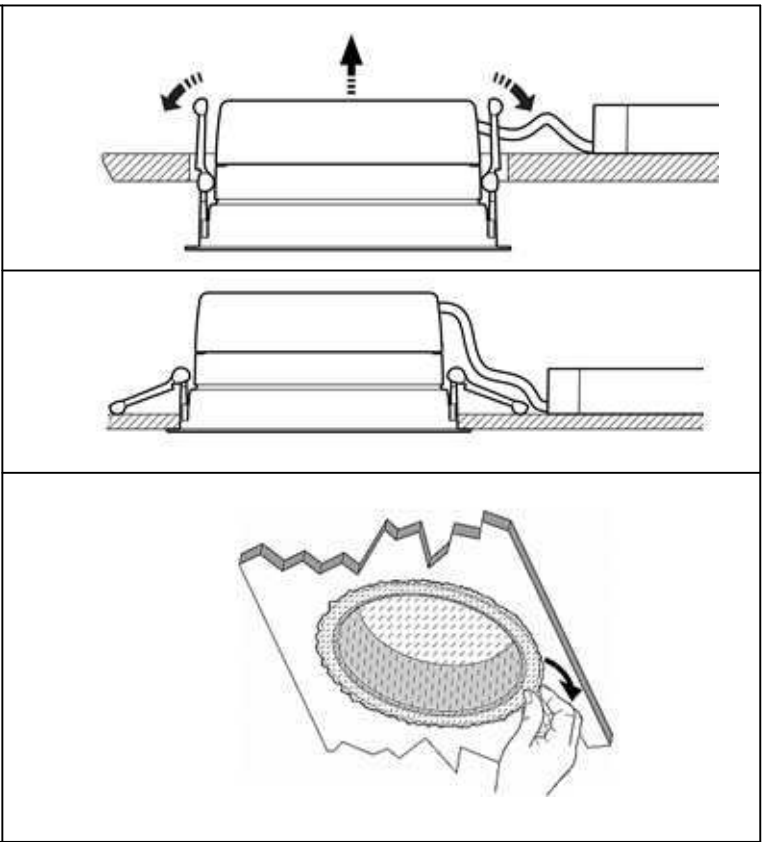
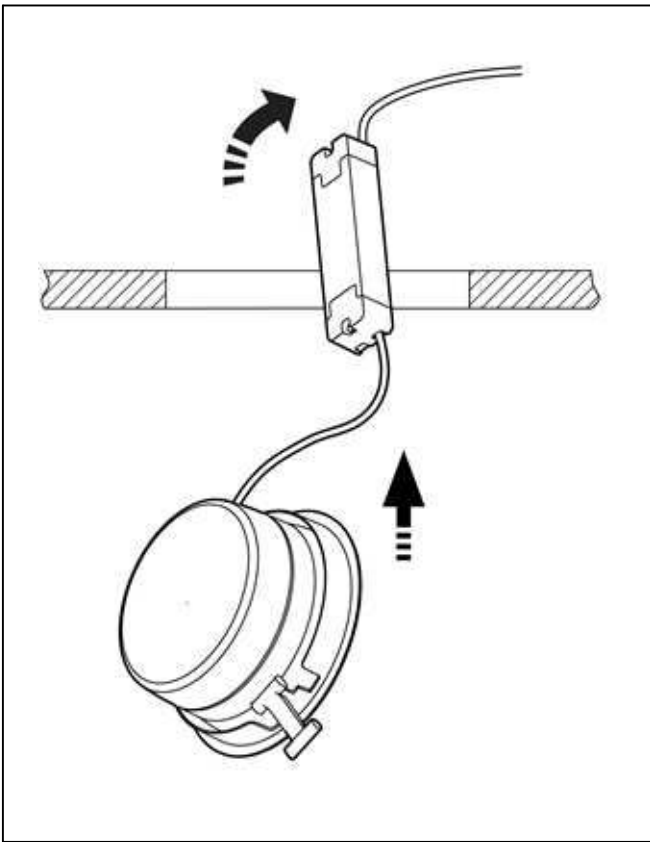
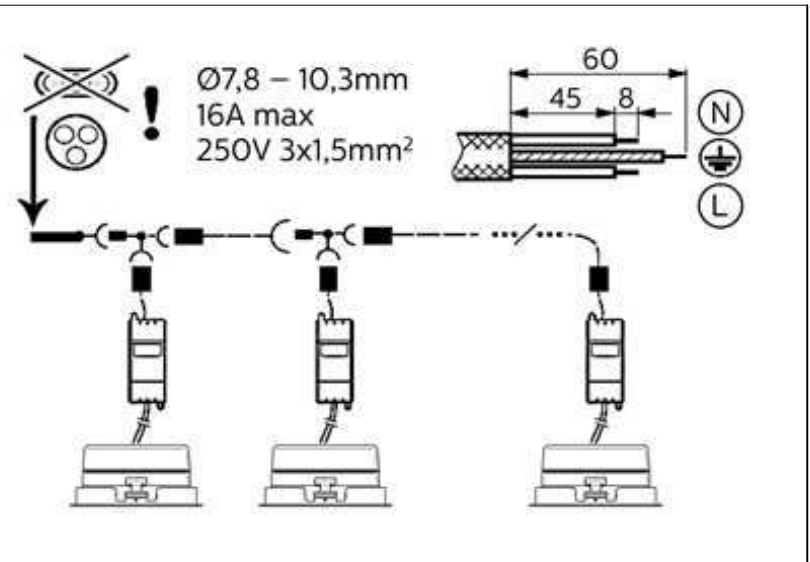
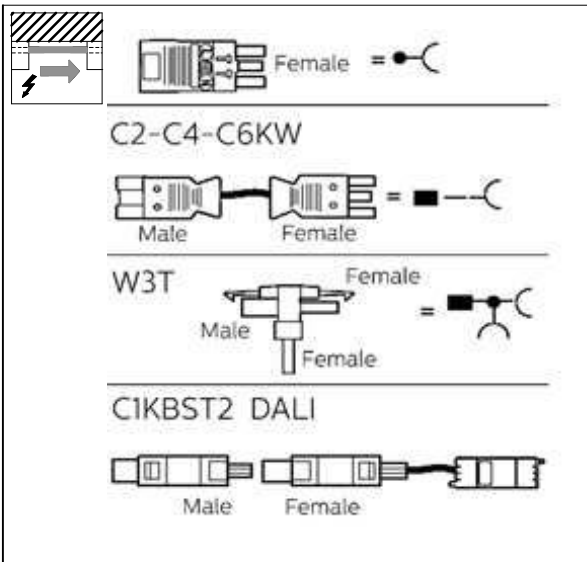
2



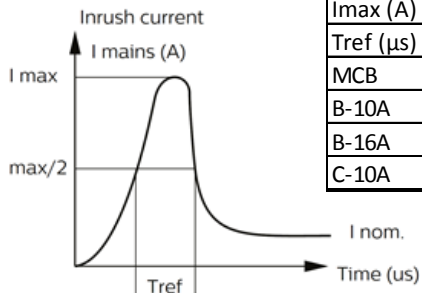
2b

**DN560B/561B/570B/571B + PG**  
**DN560B/561B/570B/571B + PGO**





### DALI dimming range 1-100%



	Xitanium 20W/m 0.15- 0.5A 54V 230V	Xitanium 36W/m 0.3- 1.05A 54V 230V	Xitanium 20W WH 0.15-0.5A 54V Is	Xitanium 36W WH 0.3- 1.05A 54V Is	Xitanium 20W WH 0.15-0.5A 54V TD/Is CL	Xitanium 36W WH 0.3- 1A 54V TD/Is CL	XITANIUM 36W/M 0.3- 1.05A 54V TD 230V
Inom (A)	0.12	0.2	0.11	0.19	0.11	0.19	0.2
I <sub>max</sub> (A)	18	18	15.8	16	20.4	20.4	18
Tref (µs)	250	250	224	216	195	195	250
MCB	Max number of drivers						
B-10A	x21	x21	x21	x21	x15	x15	x21
B-16A	x34	x34	x36	x36	x24	x24	x34
C-10A	x34	x34	x34	x34	x24	x24	x34

## CLO Version

		CCT/CRI	Pmax (W)	
			@ t=0h	@ t=50kh
DN560B/DN561B	LED8S	830/840	6	8
DN560B/DN561B	LED12S	830/840	9	11,6
DN560B/DN561B	LED12S	927/930	11	14
DN570B/DN571B	LED12S	830/840	9	11
DN570B/DN571B	LED12S	927/930	10	13
DN570B/DN571B	LED20S	830/840	14	17,6
DN570B/DN571B	LED20S	927/930	23	28,8
DN570B/DN571B	LED24S	830/840	17	21,8
DN570B/DN571B	LED24S	927/930	21	26,8
DN570B/DN571B	LED40S	830/840	26	32,6

CLO Table		
Step	time (h)	P %
	0	80%
1	3000	81%
2	7000	83%
3	10000	84%
4	13000	85%
5	17000	87%
6	20000	88%
7	23000	89%
8	27000	91%
9	30000	92%
10	33000	93%
11	37000	95%
12	40000	96%
13	43000	97%
14	47000	99%
15	50000	100%



### **DO NOT REPROGRAM THE DRIVER**

**Constant light Output Option stopped @ 50 000h**

**The light source contained in this luminaire shall only be replaced by the manufacturer or his service agent or a similar qualified person**

© 2018 Signify Holding.

All rights reserved. This document contains information relating to the product portfolio of Signify which information may be subject to change. No representation or warranty as to the accuracy or completeness of the information included herein is given and any liability for any action in reliance thereon is disclaimed. The information presented in this document is not intended as any commercial offer and does not form part of any quotation or contract. Philips and the Philips Shield Emblem are registered trademarks of Koninklijke Philips N.V.. All other trademarks are owned by Signify Holding or their respective owners.

Signify Holding.  
The Netherlands